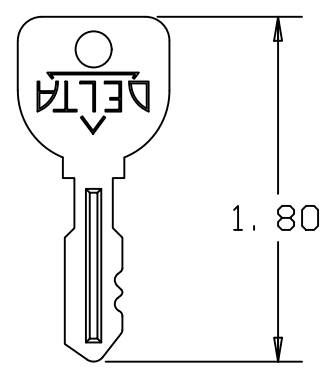
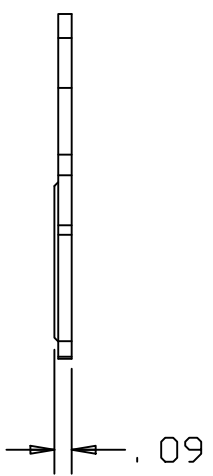
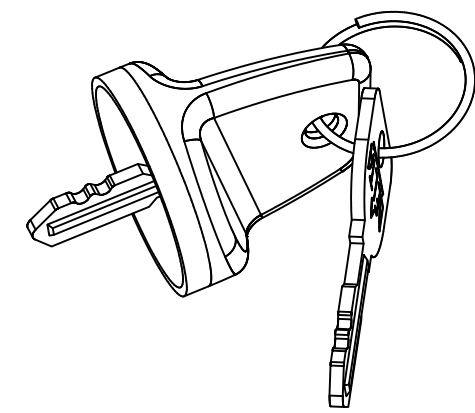
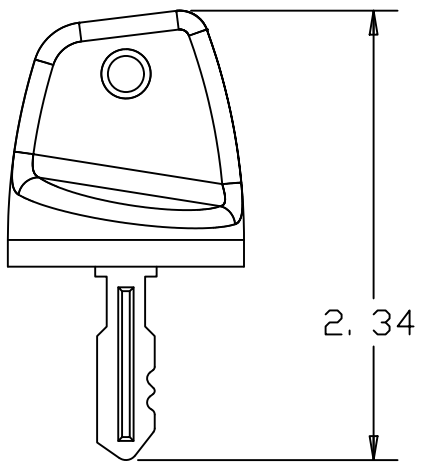
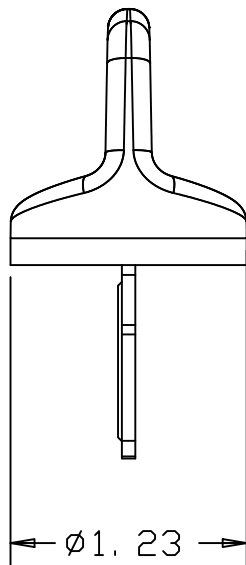


REVISIONS			
~	INITIAL RELEASE, CN 1256	01/28/08	CAK



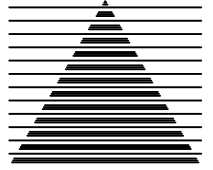
NOTES
 1-ASSEMBLY INCLUDES:
 PLATED 18GA MUSIC WIRE KEY RING
 SANTOPRENE KEY COVER
 2 NICKEL PLATED STEEL OR STAINLESS
 STEEL KEYS
 2-KEY ASSEMBLY FITS ALL 6850 SERIES
 IGNITION SWITCHES

DELTA SYSTEMS, INC. DOES NOT ASSUME
 ANY LIABILITY ARISING OUT OF THE
 MISAPPLICATION OF ANY PRODUCT

COMPUTER GENERATED
 DRAWING - NO MANUAL
 CHANGES ALLOWED

UNLESS OTHERWISE SPECIFIED
 DIMENSIONS ARE IN INCHES
 TOLERANCES ARE:
 XX± .02" .XXX± .005" ANG± 1°
 DO NOT SCALE DRAWING

DRAWN CAK	DATE 8/30/06
CHECKED MA	DATE 8/30/06
MATERIAL	
FINISH	

	DELTA SYSTEMS INC. STREETSBOARD, OHIO 44241	
	TITLE KEY ASSEMBLY	
SIZE B	DWG. NO. 688P-UMB-002	
SCALE 1X	PROJECT NO.	REV ~