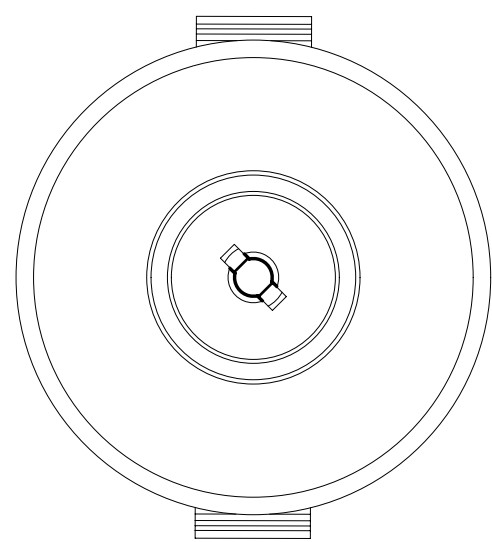
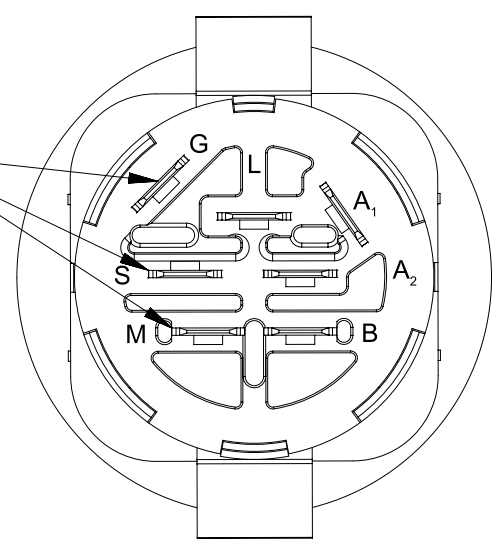


REVISIONS			
REV.	DESCRIPTION	DATE	INIT
0	INITIAL RELEASE	12/31/24	PJC



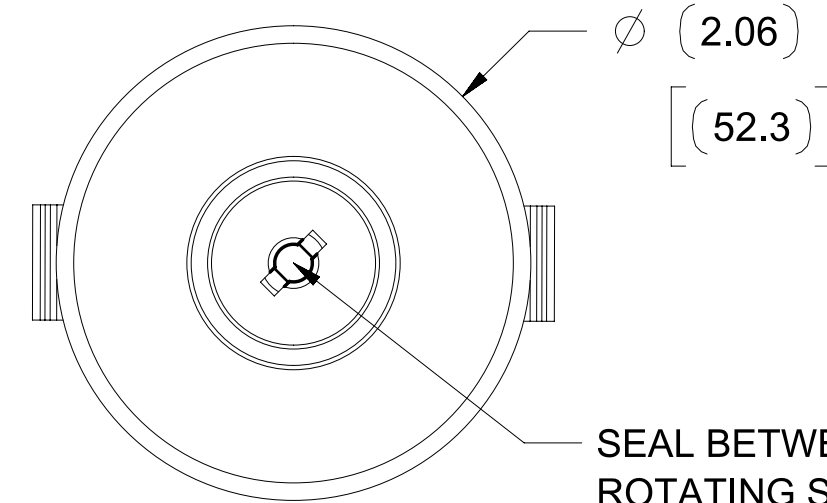
FRONT VIEW



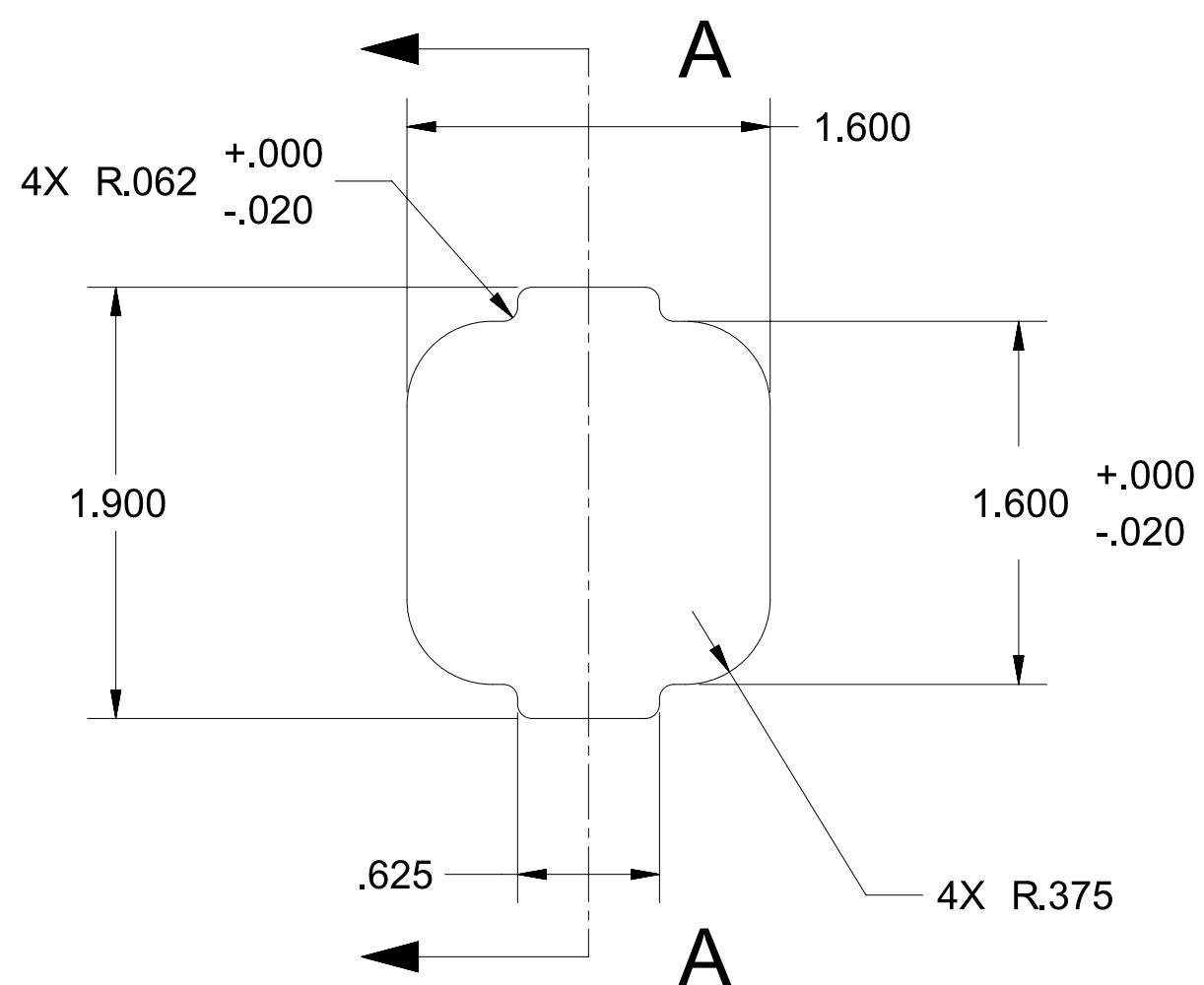
BACK VIEW

SEE NOTE 11

POSITION	ROTATION	FUNCTION	CONTACT 1	CONTACT 2
1	0°	OFF	OPEN	OPEN
2	90°	ON	B+A ₁	L+A ₂



SEAL BETWEEN ROTATING SHAFT AND SWITCH HOUSING



SQUARE EDGES THIS SIDE FOR SNAP WINGS TO MATE WITH

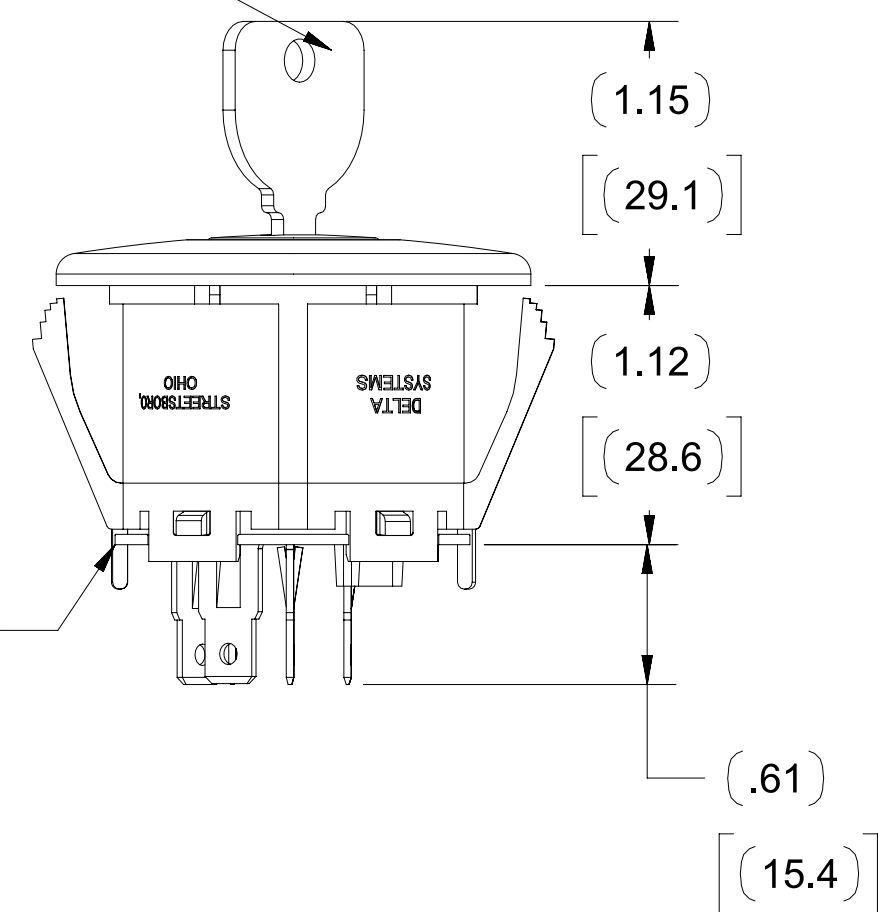
SECTION A-A

RECOMMENDED PANEL THICKNESSES:
 .048 MAX
 .060 MAX
 .105 MAX
 .165 MAX

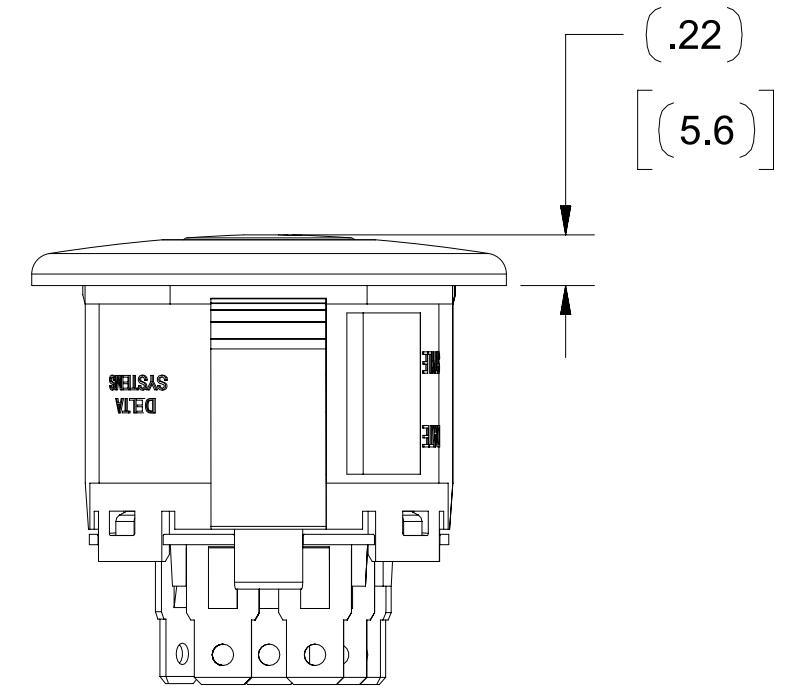
SWITCH ENTERS FROM THIS SIDE
 NO BURRS THIS SIDE

RECOMMENDED MOUNTING HOLE AND PANEL THICKNESSES - INCLUDING PAINT AND DECALS.

SEE NOTE 3

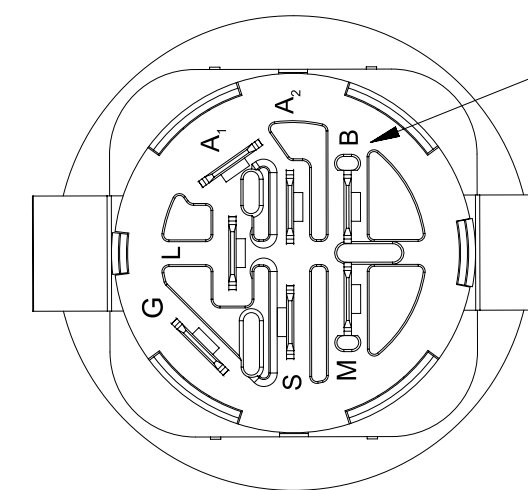


SEE NOTE 9



NOTES:

- DIMENSIONS IN BRACKETS [] ARE IN MILLIMETERS; MILLIMETER TOLERANCES ARE: .X±.5, .XX±.13
 - OUTER PLASTIC PARTS ARE POLYPROPYLENE. TERMINALS ARE BRONZE.
 - KEY IS SHIPPED SEPARATELY. MAXIMUM TORQUE FOR KEY IS 20 IN LBS. USE DELTA KEY ONLY. DELTA STEEL KEY PART# 688S-STD.
 - SWITCH STYLE MARKED ON HOUSING.
 - DATE CODE PER DELTA MFG SPEC 1640 MARKED ON HOUSING.
 - SWITCH SHOULD NEVER BE MOUNTED IN THE PANEL WITH THE "B" TERMINAL DIRECTLY ABOVE THE "G" TERMINAL RELATIVE TO GRAVITY.
 - SWITCH ELECTRICAL FUNCTIONALITY TESTED AFTER ASSEMBLY
 - ELECTRICAL RATING, CONTINUOUS: 20 AMPS @ 12-14 VDC
5 AMPS @ 56-60 VDC
- ELECTRICAL LIFE:
 10K CYCLES @ 5 AMPS, 12-14 VDC INDUCTIVE
 50K CYCLES @ 5 AMPS, 12-14 VDC RESISTIVE
 30K CYCLES @ 4 AMPS, 56-60VDC RESISTIVE
- PULL FORCE TO DISLOCATE BACK COVER IS 80 LBS. MINIMUM
 - MUST BE IN COMPLIANCE WITH DIRECTIVE 2011/65/EU OF THE EUROPEAN PARLIAMENT AND THE COUNCIL OF 08 JUNE 2011 ON THE RESTRICTION OF THE USE OF CERTAIN HAZARDOUS SUBSTANCES IN ELECTRICAL AND ELECTRONIC EQUIPMENT (ROHS DIRECTIVE).
 - TERMINALS G, M, S ARE NOT TO BE USED.
 - INTERPRET DRAWING IN ACCORDANCE WITH ASME Y14.5-2009



TERMINAL PATTERN TO MATE WITH DSI CONNECTOR 972311 APTIV TERMINAL # 2965510

PROPRIETARY & CONFIDENTIAL THE INFORMATION CONTAINED IN THIS DRAWING IS THE SOLE PROPERTY OF DELTA SYSTEMS. ANY REPRODUCTION IN PART OR AS A WHOLE WITHOUT THE WRITTEN PERMISSION OF DELTA SYSTEMS IS PROHIBITED.	UNLESS OTHERWISE SPECIFIED DIMENSIONS ARE IN INCHES TOLERANCES ARE: .X ± .1 .XX ± .02 .XXX ± .005 X° ± 1	DRAWN pcolonna CHECKED rkawolics APPROVED ikirbaw MATERIAL SEE NOTES FINISH SEE NOTES DO NOT SCALE DRAWING	DATE 31-Dec-2024 DATE 06-Jan-2025 DATE 08-Jan-2025	<p>1734 FROST ROAD STREETSBORO, OHIO 44241 330-626-2811 WWW.DELTASYSTEMSINC.COM</p> <p>TITLE SNAP-IN KEY SWITCH, DPST, APP</p> <p>SIZE C DWG. NO. 6900-24_APP</p> <p>SCALE NTS SHEET 1 OF 1 PROJECT NO. 409 REVISION 0</p>
	DELTA SYSTEMS INC. DOES NOT ASSUME ANY LIABILITY ARISING OUT OF THE MISAPPLICATION OF ANY PRODUCT	COMPUTER GENERATED DRAWING - NO MANUAL CHANGES ALLOWED	STATUS DS4_Design	
	PROJECTED VIEWS ARE 3RD ANGLE			