

8

7

6

5

4

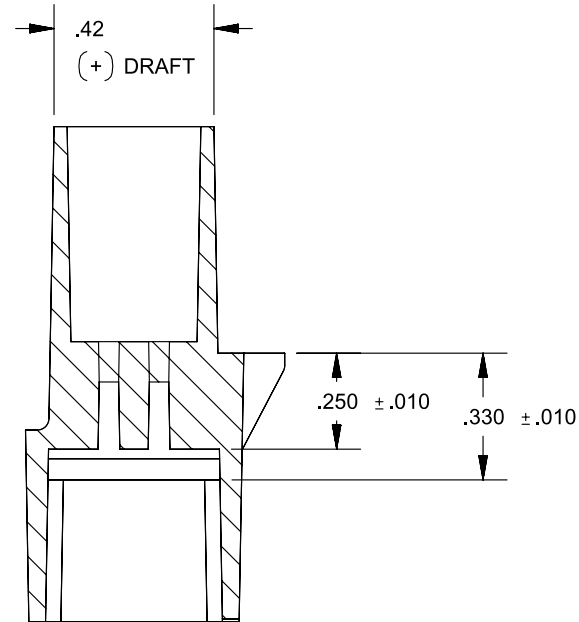
3

2

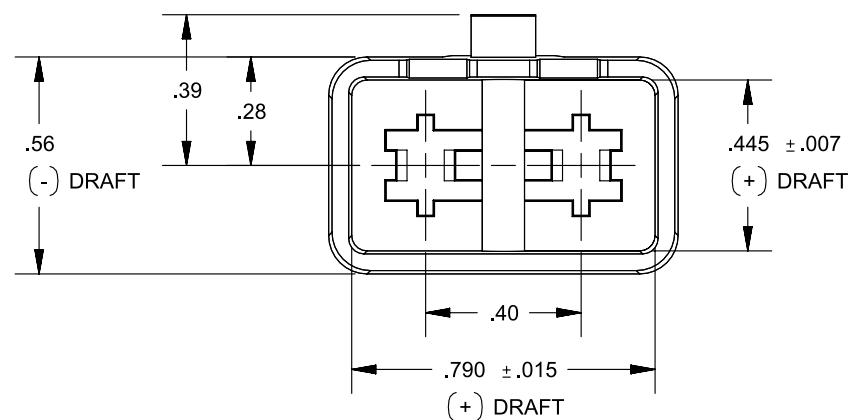
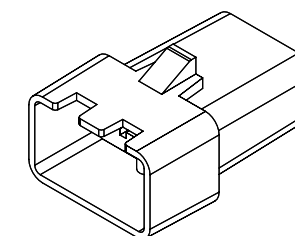
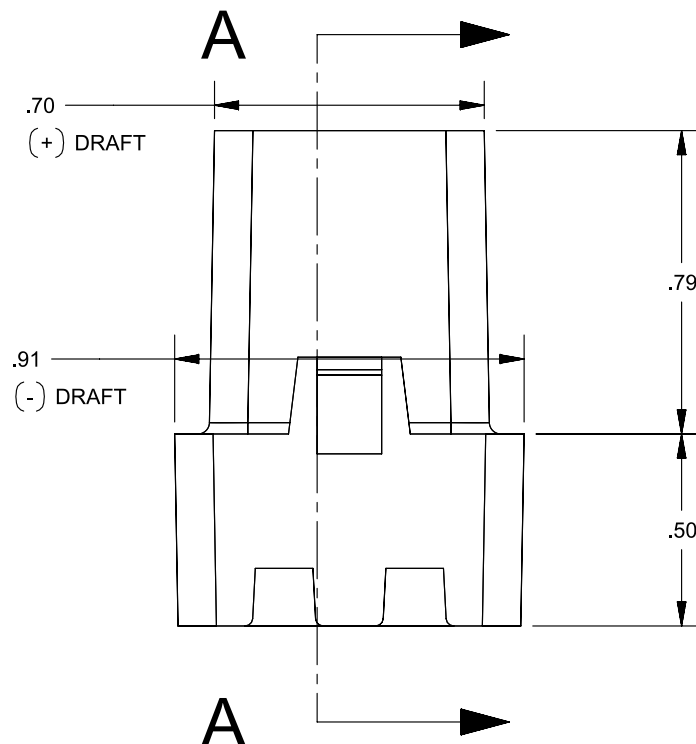
1

### REVISIONS

REV.	DESCRIPTION	DATE	INIT
0	INITIAL RELEASE	03/09/15	IDK
1	PULL OUT FORCE WAS 25 LBS MIN	07/10/15	IDK
2	.79 WAS .60, .70 WAS .71, ECO 560	05/04/16	IDK



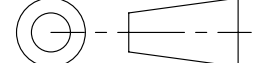
SECTION A-A



TE CONNECTIVITY TERMINALS (SEE NOTE 2)	
WIRE GAUGE	PART #
14-18 AWG	42460-2
18-22 AWG	62553-3

#### NOTES

- MATES WITH DELTA CONNECTOR P/N's 96525 AND 96526
- CONNECTOR BODY ONLY INCLUDED. TERMINALS PROCURED AND INSTALLED BY CUSTOMER
- TERMINAL PULL-OUT FORCE IS 18 LBS MINIMUM
- MUST BE IN COMPLIANCE WITH DIRECTIVE 2002/95/EC OF THE EUROPEAN PARLIAMENT AND THE COUNCIL OF 27 JANUARY 2003 ON THE RESTRICTION OF THE USE OF CERTAIN HAZARDOUS SUBSTANCES IN ELECTRICAL AND ELECTRONIC EQUIPMENT (ROHS DIRECTIVE)
- INTERPRET THIS DRAWING IN ACCORDANCE WITH ASME Y14.5-2009

PROPRIETARY & CONFIDENTIAL THE INFORMATION CONTAINED IN THIS DRAWING IS THE SOLE PROPERTY OF DELTA SYSTEMS. ANY REPRODUCTION IN PART OR AS A WHOLE WITHOUT THE WRITTEN PERMISSION OF DELTA SYSTEMS IS PROHIBITED. DELTA SYSTEMS INC. DOES NOT ASSUME ANY LIABILITY ARISING OUT OF THE MISAPPLICATION OF ANY PRODUCT	UNLESS OTHERWISE SPECIFIED DIMENSIONS ARE IN INCHES TOLERANCES ARE: .X± .1 .XX± .02 .XXX± .005 X°± 1°	DRAWN ikirbawy CHECKED bkirkman APPROVED ikirbawy MATERIAL 14%-GF NYLON FINISH BLACK DO NOT SCALE DRAWING	DATE 12-Feb-2015 DATE 20-Mar-2015 DATE 03-Jun-2015 PROJECTED VIEWS ARE 3RD ANGLE  STATUS DS4_Design	<b>DELTA SYSTEMS</b> 1734 FROST ROAD STREETSBORO, OHIO 44241 330-626-2811 WWW.DELTASYSTEMSINC.COM TITLE Connector Housing, 6440, Uses Male Terminals SIZE <b>B</b> SCALE NTS	DWG. NO. 96536A_APP SHEET 1 OF 1 PROJECT NO. REVISION 2
	COMPUTER GENERATED DRAWING - NO MANUAL CHANGES ALLOWED				

8

7

6

5

4

3

2

1