

# SEALED PLUNGER SWITCH

Model Series 6470



- Wiping action helps clean contacts to increase switch life
- Integral sealed connector
- Screw/rivet or snap-in rail mount available
- Easy to design into your application
- One or two independent electrical circuits
- RoHS and REACH compliant

## OPERATION

Delta Systems' Plunger Switches are used to sense the position of mechanical linkages and controls. Wiping action helps to clean the contacts during use, keeping contact resistance low and extending switch life in rugged environments. For applications where the switching current is low (<100 mA, requiring clean contacts for reliable switching) and/or exposure to moisture and contaminants is high. They are ideally suited for electric-powered mowers and off-highway vehicles, as well as products with >2000-hour expected life, like commercial outdoor power, agricultural, construction, and light industrial equipment.

## ELECTRICAL SPECIFICATIONS

Cycles: Resistive: 75,000, Inductive: 10,000

Operating Voltage: Range: 9-16 V<sub>DC</sub>

Operating Current: 3 Amps

Pre-travel, inches: .040-.150

Operating Temperature Range: -20 °F to 150 °F

## ENVIRONMENTAL RATINGS

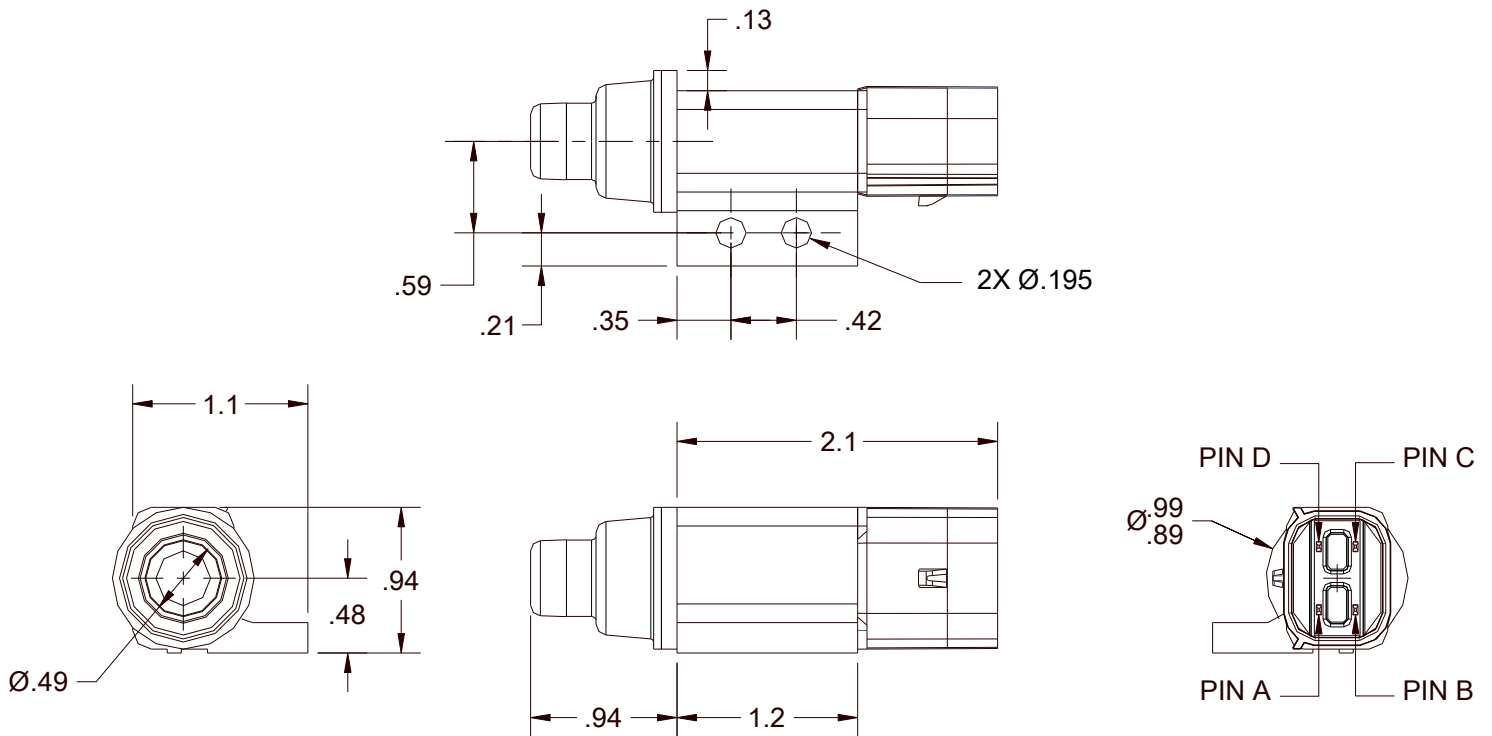
Exposure	Specification
Ingress Protection	IEC 60529 IP67
Salt Fog	ASTM B117. 96 hours
Chemical Resistance	ASTM Ref C Fuel, Diesel Fuel, Oil, Antifreeze, Freon, Paint, Latex, Gasoline, Gas with 10% ethanol, WD-40, Battery Acid, Ammoniated Glass Cleaner, Kerosene, GOJO® Fertilizer

## AVAILABLE CONFIGURATIONS

Part Number	Electrical Configuration		Mounting Style
	Pole A-B	Pole C-D	
6470-03	NC	NC	Screw/Rivet
6470-53	NO	NC	Screw/Rivet
6470-54	NO	NO	Screw/Rivet
6470-82	NO	NO	Screw/Rivet
6470-84	NO	NC	Screw/Rivet

## DIMENSIONS (SCREW/RIVET MOUNT)

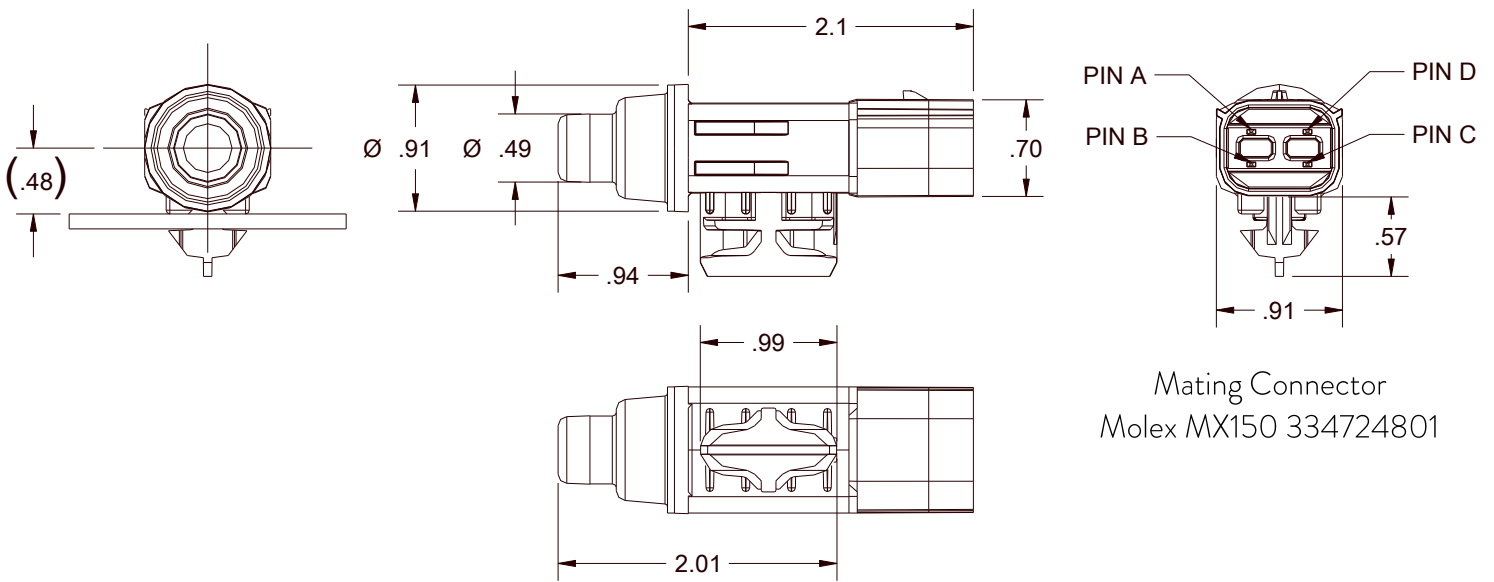
Note: For specific Part information please refer to the Application print



Mating Connector  
Molex MX150 334724801

## DIMENSIONS (SNAP-IN RAIL MOUNT)

Note: For specific Part information please refer to the Application print



Note: Life expectancy and switch performance are largely dependent on application. It is the user's responsibility to determine suitability of this product for the application. This information is intended as a guide for proper application.