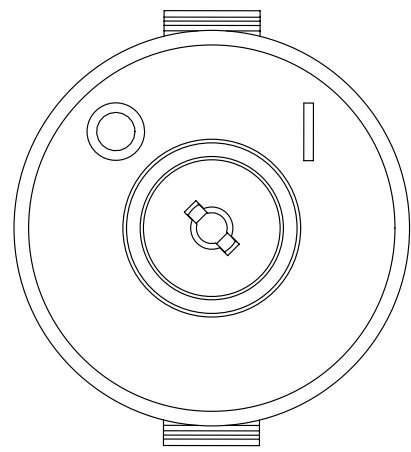
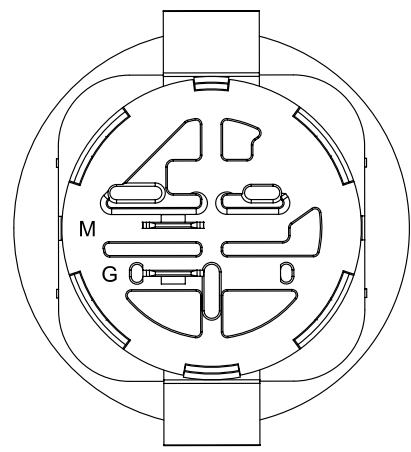


REVISIONS			
REV.	DESCRIPTION	DATE	INIT
0	INITIAL RELEASE	4/16/2018	TW
1	CORRECTED ORIENTATION OF PAD PRINT, ECO922	06/13/18	NMP

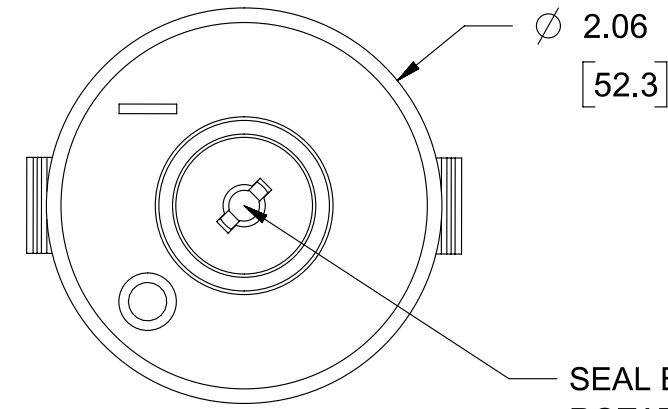


FRONT VIEW

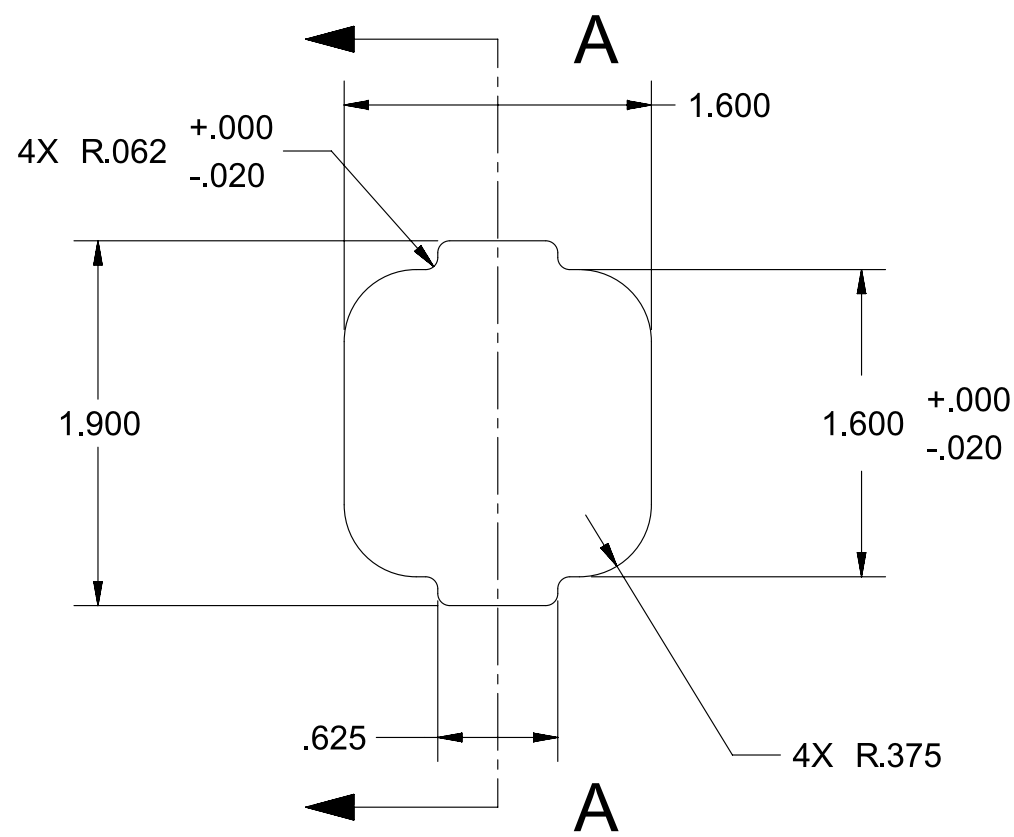


BACK VIEW

POSITION	ROTATION	FUNCTION	CONTACT
1	0°	OFF	OPEN
2	90°	ON	M+G



SEAL BETWEEN ROTATING SHAFT AND SWITCH HOUSING



SQUARE EDGES THIS SIDE FOR SNAP WINGS TO MATE WITH

SECTION A-A

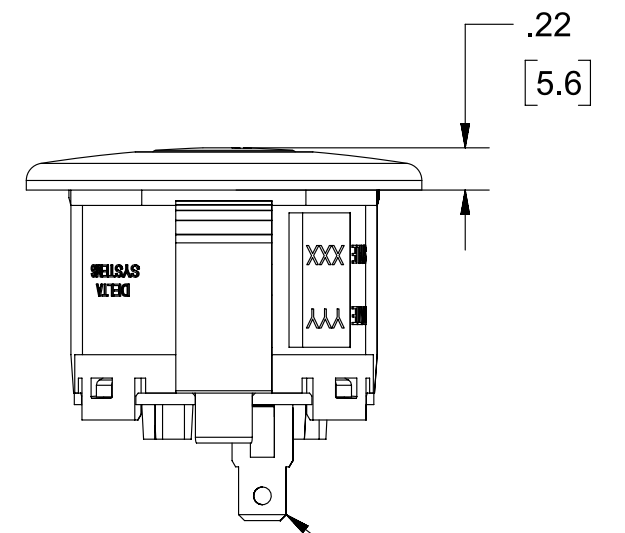
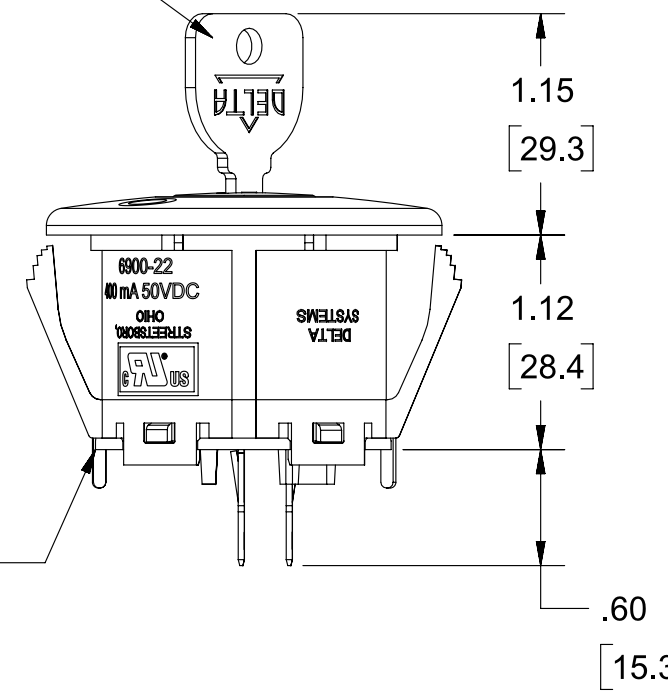
RECOMMENDED PANEL THICKNESSES:
 .048 MAX
 .060 MAX
 .105 MAX
 .165 MAX

SWITCH ENTERS FROM THIS SIDE
 NO BURRS THIS SIDE

RECOMMENDED MOUNTING HOLE AND PANEL THICKNESSES - INCLUDING PAINT AND DECALS.

SEE NOTE 3

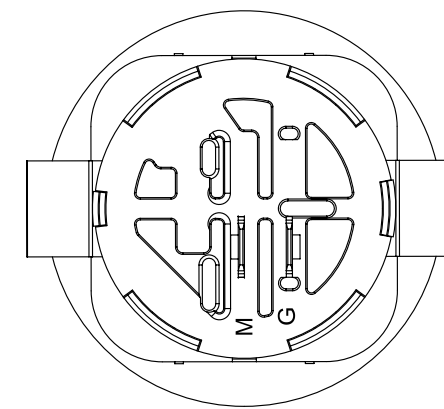
SEE NOTE 9



2X .03 X .25 MALE TERMINALS USE TYCO POSITIVE LOCK CONNECTOR (P/N 521120-1) HAVING FEMALE TERMINALS (P/N 63854) OR EQUIVALENT

NOTES:

- DIMENSIONS IN BRACKETS [] ARE IN MILLIMETERS; MILLIMETER TOLERANCES ARE: .X±.5 .XX±.13
- OUTER PLASTIC PARTS ARE PC/PBT (BLACK). TERMINALS ARE BRONZE.
- KEY IS SHIPPED SEPARATELY. MAXIMUM TORQUE FOR KEY IS 20 IN LBS. USE DELTA KEY ONLY. DELTA STEEL KEY PART# 688S-STD.
- SWITCH STYLE STAMPED ON HOUSING.
- DATE CODE INDICATING YEAR, MONTH, AND DAY OF MONTH MANUFACTURED STAMPED ON HOUSING.
- SWITCH ELECTRICAL FUNCTIONALITY TESTED AFTER ASSEMBLY.
- ELECTRICAL RATING, CONTINUOUS: 20A @ 12-14 VDC. 5A @ 56-60 VDC
 ELECTRICAL LIFE: 5K CYCLES @ 10 AMPS, 12-14 VDC INDUCTIVE. 10K CYCLES @ 5 AMPS, 12-14 VDC INDUCTIVE. 50K CYCLES @ 400mA, 48-50 VDC RESISTIVE.
- THIS PRODUCT COVERED BY U.S. PATENT NO. 5252791 OTHER PATENTS APPLIED FOR
- PULL FORCE TO DISLOCATE BACK COVER IS 80 LBS. MINIMUM.
- SWITCH MUST COMPLY WITH UL 1054
- SWITCH IS REACH AND ROHS COMPLIANT
- INTERPRET DRAWING IN ACCORDANCE WITH ASME Y14.5-2009



PROPRIETARY & CONFIDENTIAL THE INFORMATION CONTAINED IN THIS DRAWING IS THE SOLE PROPERTY OF DELTA SYSTEMS. ANY REPRODUCTION IN PART OR AS A WHOLE WITHOUT THE WRITTEN PERMISSION OF DELTA SYSTEMS IS PROHIBITED.	UNLESS OTHERWISE SPECIFIED DIMENSIONS ARE IN INCHES TOLERANCES ARE: .X± .1 .XX± .02 .XXX± .005 X°± 1	DRAWN twon CHECKED bwetrich APPROVED ikirbaw MATERIAL SEE NOTE 2 FINISH SEE NOTE 2 DO NOT SCALE DRAWING	DATE 13-Apr-2018 DATE 01-May-2018 DATE 01-May-2018	DELTA SYSTEMS 1734 FROST ROAD STREETSBORO, OHIO 44241 330-626-2811 WWW.DELTASYSTEMSINC.COM TITLE UL Ignition Switch APP SIZE C DWG. NO. 6900-22P_APP SCALE NTS SHEET 1 OF 1 PROJECT NO. 133 REVISION 1
	DELTA SYSTEMS INC. DOES NOT ASSUME ANY LIABILITY ARISING OUT OF THE MISAPPLICATION OF ANY PRODUCT COMPUTER GENERATED DRAWING - NO MANUAL CHANGES ALLOWED	PROJECTED VIEWS ARE 3RD ANGLE	STATUS DS4_Design	