

# SNAP MOUNT SEALED PLUNGER SWITCHES

## Model Series 6454



- Sealed to IP67 per IEC 60529 with integral sealed connector
- Snap mount configuration allows for quick installation
- Two independent electrical poles
- Manufactured of corrosion and chemical resistant materials to extend switch life
- RoHS, REACH and Conflict Mineral compliant

## OPERATION

Delta Systems sealed plunger switches are used to sense the position of mechanical linkages and controls in environments where sensitive electrical circuits require robust environmental protection. Patented wiping action switch contacts prevent carbon buildup, keeping contact resistance low and extending switch life in rugged environments.

## SPECIFICATIONS

Cycles: Resistive: 75,000, Inductive: 10,000

Operating Voltage: Range: 12-14V<sub>DC</sub>

Operating Current: 3 Amps

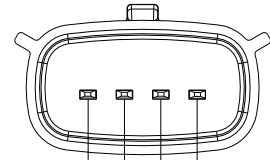
Pre-travel, inches : .070-.155

## ENVIRONMENTAL RATINGS

Exposure	Specification
Ingress Protection	IP67 per IEC 60529
Operating Temperature Range	-30 °C to 85 °C
Salt Fog	ASTM B117, 96 hours
Chemical Resistance	ASTM Ref C Fuel, Diesel Fuel, Oil, Antifreeze, Freon, Paint, Latex, Gasoline, Gas with 10% ethanol, WD-40, Battery Acid, Ammoniated Glass Cleaner, Kerosene, GOJO®, Fertilizer

## AVAILABLE CONFIGURATIONS

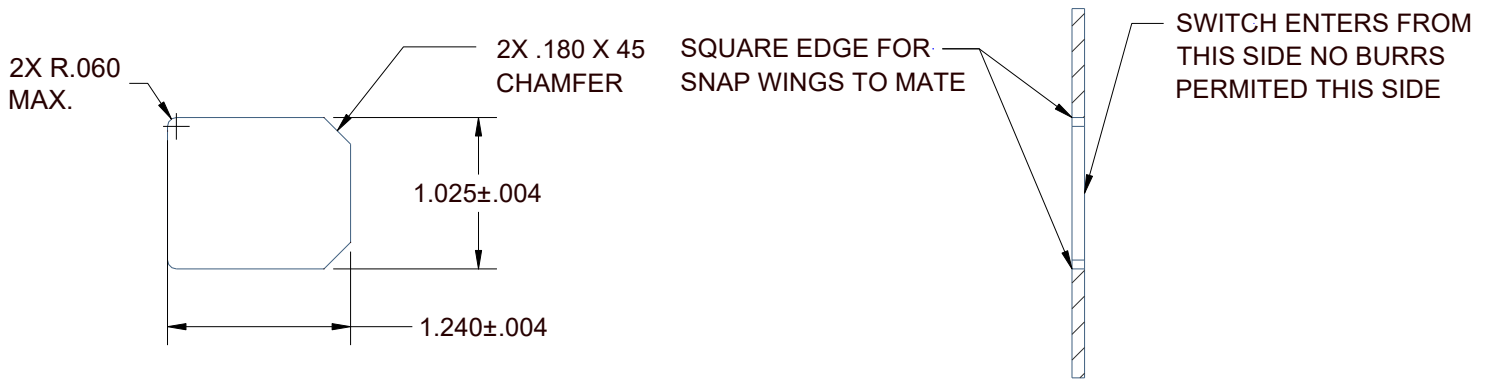
Part Number	Electrical Configuration		Housing/Connector Colors
	Pole A-A	Pole B-B	
6454-001	NO	NO	Black/Black
6454-002	NC	NO	Black/Gray



B A A B

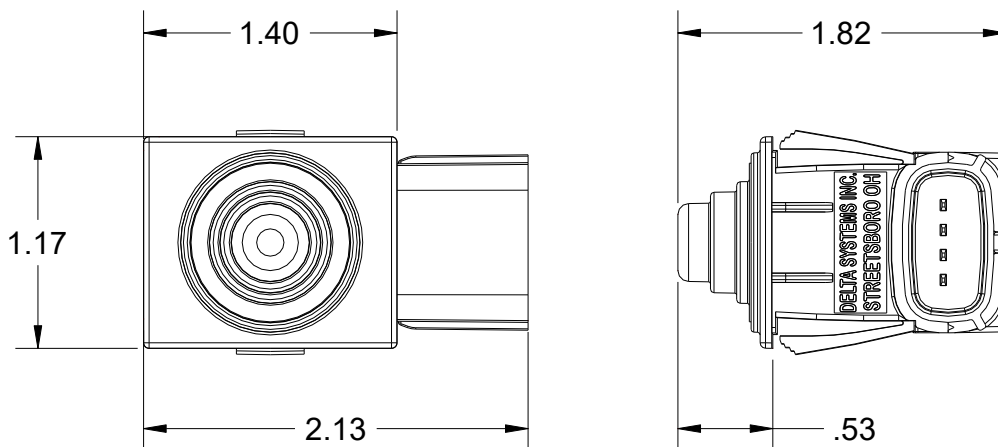
Molex P/N 33471-0401

## MOUNTING



Designed for panel thicknesses up to .060, .085, and .105, including paint and other coverings applied to panel.

## DIMENSIONS



Note: Life expectancy and switch performance are largely dependent on application. It is the user's responsibility to determine suitability of this product for the application. This information is intended as a guide for proper application.