

SEALED PUSH/PULL SWITCHES

Model Series 6205



- 10A current rating at 9-16 VDC
- Use in battery-powered applications up to 96 VDC
- Sealed to IP67
- Snap-in mounting type
- Rugged and ergonomic
- 3-year warranty included
- RoHS, REACH and Conflict Mineral compliant

OPERATION

Delta Systems' sealed push-pull switches protect the safe operation of your equipment as it is continuously exposed to water, debris, dust and salt. Ideal for the switching of implements on gas, diesel, and battery powered equipment. Rated for as low as 10mA and up to 10A, use them as an input to a controller or for direct switching of commercial grade PTO clutches. The knob can be customized for color and graphics.

ELECTRICAL SPECIFICATIONS

Cycle Life:	Resistive: 100,000, Inductive: 40,000
Operating Voltage Range:	9-96 VDC
Operating Current:	10mA-10A @ 9-16VDC, 10mA-500mA @ 48-96 VDC
Contact Resistance:	50mOhms max, New at 10mA, 12 VDC

ENVIROMENTAL RATINGS

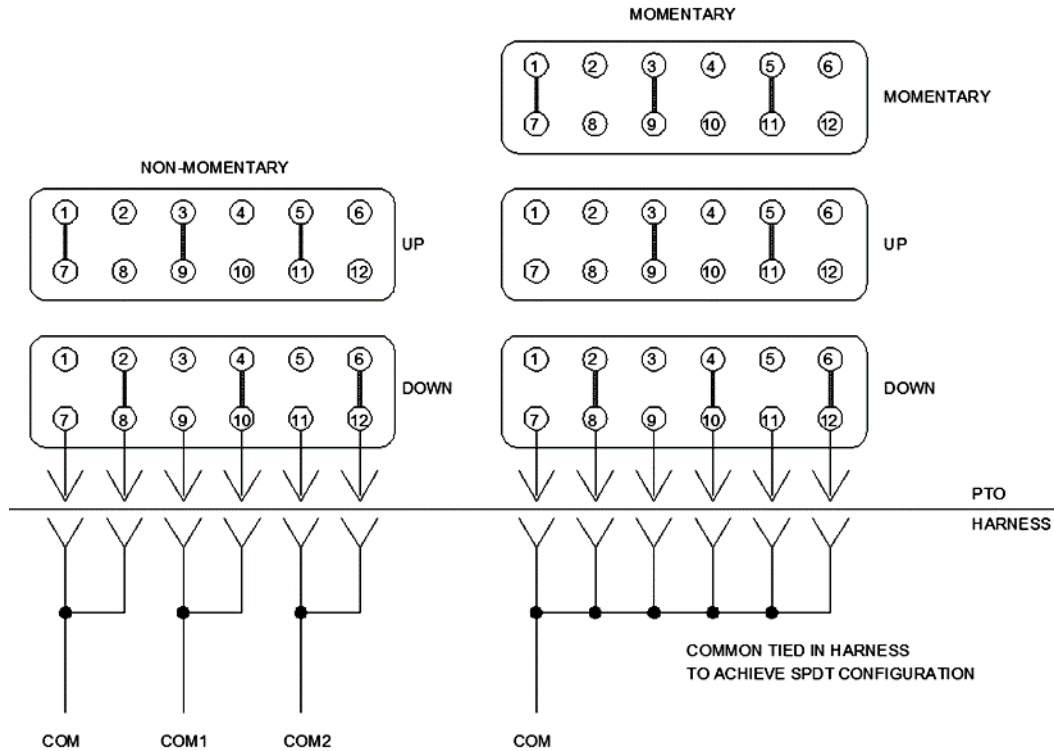
Exposure	Specification
Ingress Protection	IP67, with sealed mating connector
Operating Temperature Range	-40 °C to 85 °C
Humidity	95% Relative Humidity, non-condensing
Pressure Wash	Pressure wash per EP455-5.6 3000PSI, Front Surface Only
Chemical Resistance	Gasoline, Diesel Fuel, Hydraulic Oil, Engine Oil, Bug Repellent DEET, Salt Water Solution, Wax, Sunscreen, Insect Killer, Weed Killer, Liquid Fertilizer, Bleach Disinfectant Spray, Mole Repellent, Bleach, Ammonia, Isopropyl Alcohol, Degreaser and Battery Acid

SEALED PUSH/PULL SWITCHES

Model Series 6205

AVAILABLE CONFIGURATIONS

Product Line	Part number	Electrical Config	Knob Style	Knob Color	Current Rating, Amps	# of Positions	IP67
PTO - Sealed	6205-122A	Universal	1.4" Diameter	Red	10	2	Yes
PTO - Sealed	6205-122B	Universal	1.4" Diameter	Red	10	2	Yes
PTO - Sealed	6205-131A	Universal	1.4" Diameter	Yellow	10	2	Yes
PTO - Sealed	6205-131B	Universal	1.4" Diameter	Yellow	10	2	Yes
PTO - Sealed	6205-131C	Universal	1.4" Diameter	Yellow	10	2	Yes



MATING CONNECTOR

Molex MX150 Sealed Connector P/N 33472-1201 with female terminals -33012 series

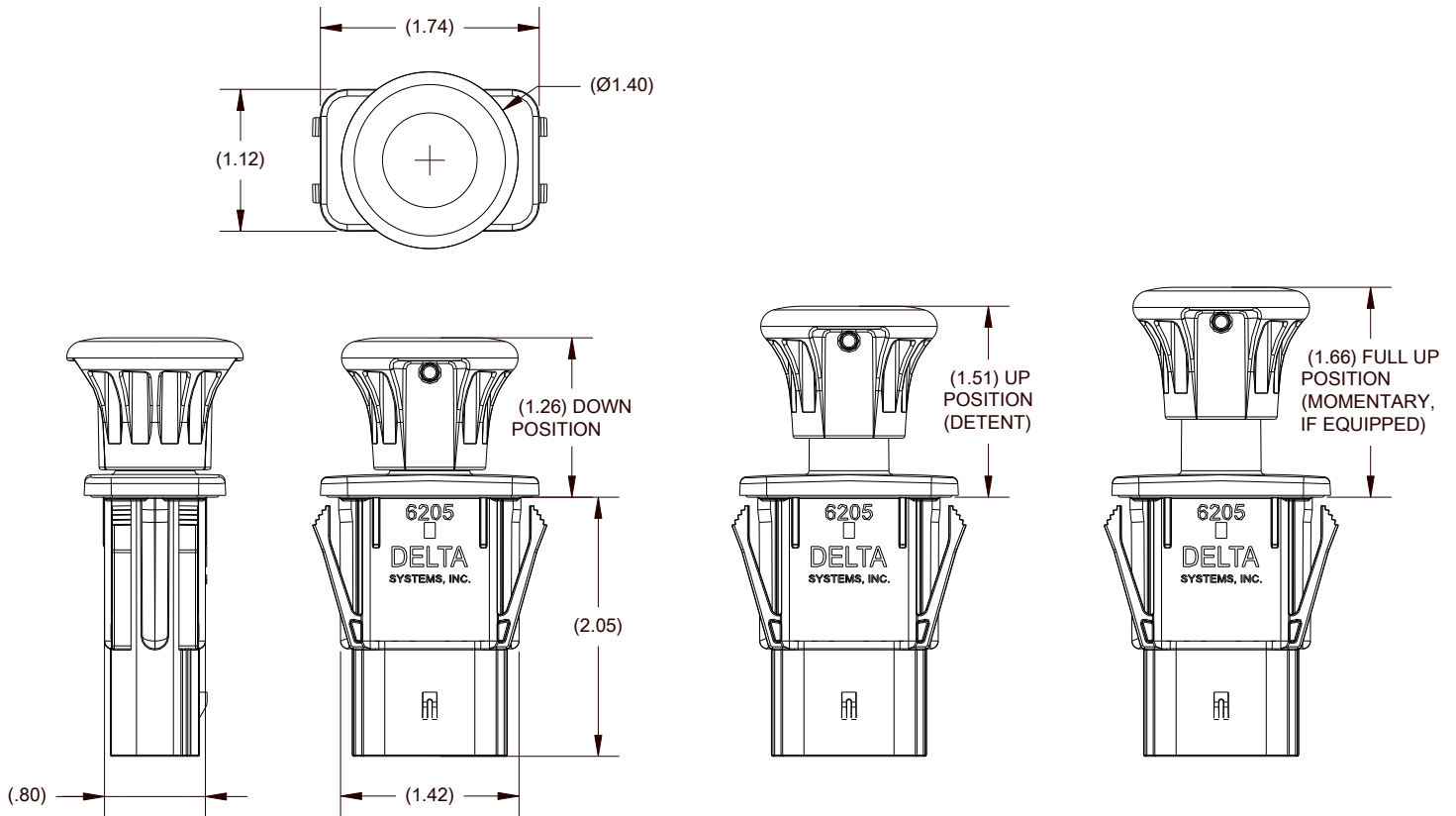


SEALED PUSH/PULL SWITCHES

Model Series 6205

DIMENSIONS

Note: For specific Part information please refer to the Application print.



MOUNTING

Snap-in mounting with a 1.455" x 0.830" rectangular cut-out
 Panel thickness is 0.060" to 0.165" inclusive of paint, decals, etc.

Note: Life expectancy and switch performance are largely dependent on application. It is the user's responsibility to determine suitability of this product for the application. This information is intended as a guide for proper application.