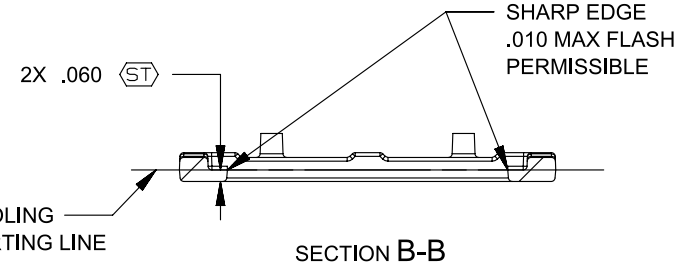
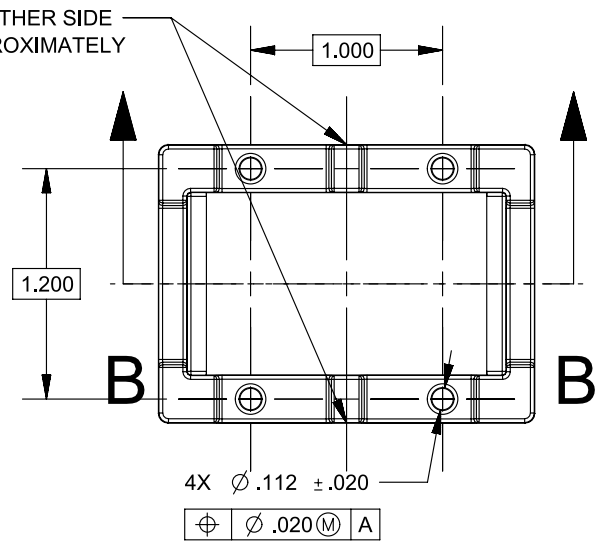
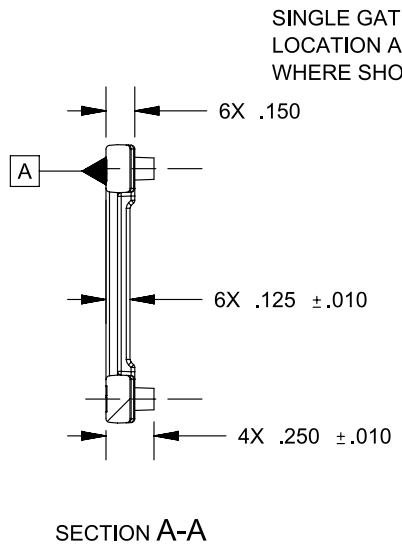
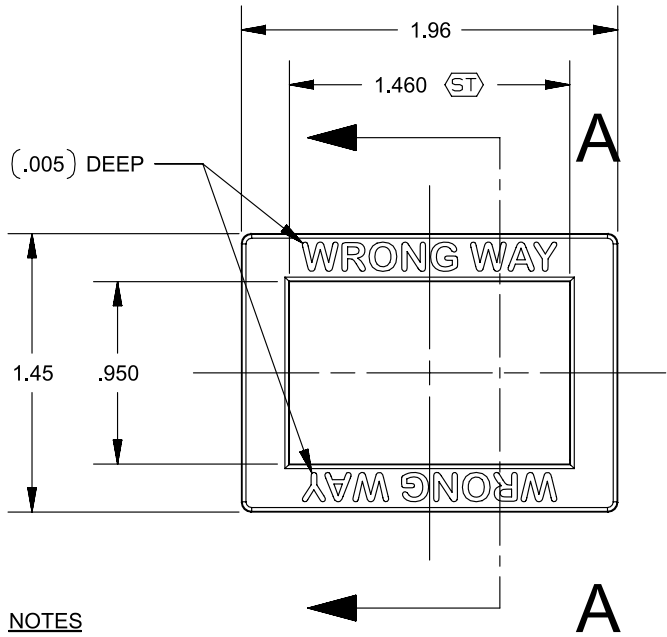


REVISIONS

REV.	DESCRIPTION	DATE	INIT
0	INITIAL DESIGN	04/24/14	IDK



- NOTES**
- 1) INTERPRET DRAWING PER ASME Y14.5-2009
 - 2) FOR USE WITH A DELTA 2014 SERIES DISPLAY AND A DASH/PANEL THICKNESS OF .060 / .130 INCLUDING PAINT, DECALS, ETC.
 - 3) FOR BEST RESULTS, USE A NEW SPACER FOR EACH INSTALLATION AND DISCARD WHEN MODULE IS REMOVED FROM DASH

PROPRIETARY & CONFIDENTIAL THE INFORMATION CONTAINED IN THIS DRAWING IS THE SOLE PROPERTY OF DELTA SYSTEMS. ANY REPRODUCTION IN PART OR AS A WHOLE WITHOUT THE WRITTEN PERMISSION OF DELTA SYSTEMS IS PROHIBITED.

DELTA SYSTEMS INC. DOES NOT ASSUME ANY LIABILITY ARISING OUT OF THE MISAPPLICATION OF ANY PRODUCT

UNLESS OTHERWISE SPECIFIED DIMENSIONS ARE IN INCHES TOLERANCES ARE:

.X±	.1
.XX±	.02
.XXX±	.005
X°±	1°

COMPUTER GENERATED DRAWING - NO MANUAL CHANGES ALLOWED

DRAWN ikirbaw	DATE 24-Apr-2014
CHECKED bkirkman	DATE 09-May-2014
APPROVED ikirbaw	DATE 09-May-2014
MATERIAL PC/ABS	PROJECTED VIEWS ARE 3RD ANGLE
FINISH BLACK	
DO NOT SCALE DRAWING	STATUS DS4_Design

DELTA SYSTEMS

1734 FROST ROAD
STREETSBORO, OHIO 44241
330-626-2811
WWW.DELTASYSTEMSINC.COM

TITLE Spacer, Display			
SIZE A	DWG. NO. 972375	PROJECT NO.	REVISION
SCALE NTS	SHEET 1 OF 1		0

4

3

2

1

D

D

C

C

B

B

A

A

4

3

2

1