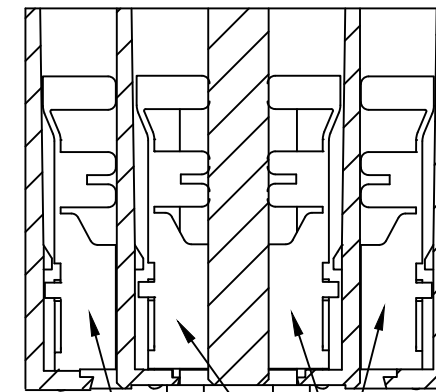
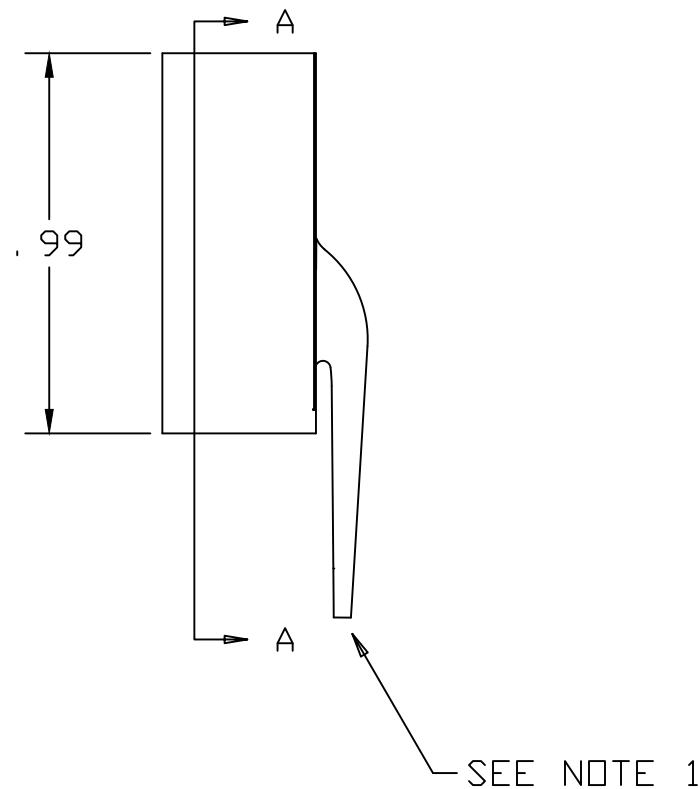
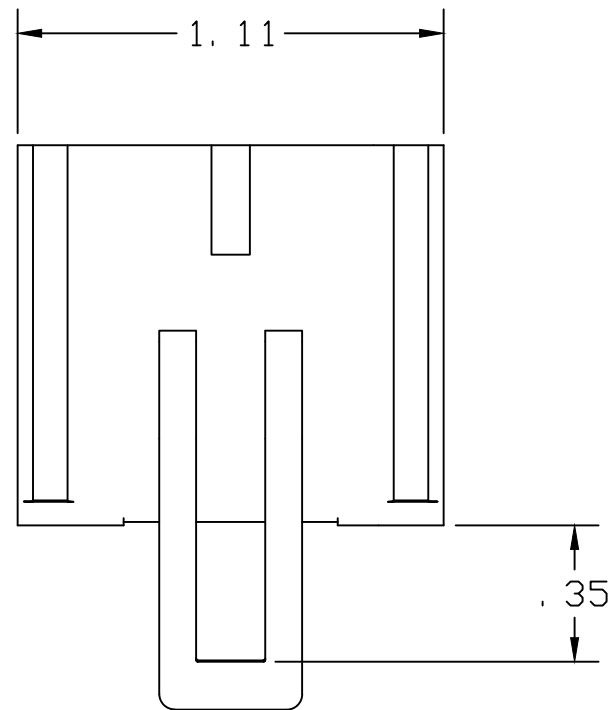


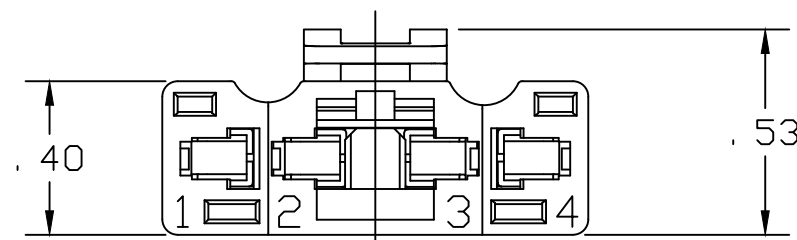
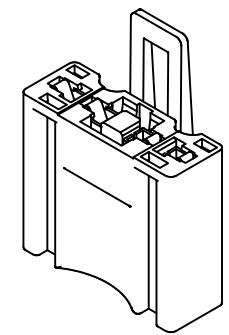
REVISIONS			
~	NEW RELEASE PER CR1397	10/02/00	JH
A	UPDATED MAT'L, CN3255	06/07/12	IDK



SECTION A-A

INSIDE TERMINALS
SWITCH POLE A
("2" & "3")
SEE NOTE 2

OUTSIDE SWITCH TERMINALS
SWITCH POLE B ("1" & "4")
SEE NOTE 2



△ DESIGNATES CRITICAL CHARACTERISTIC

NOTES:

- 1) LOCKING CLIP MATES WITH DSI 6444/6544 SERIES SWITCH.
- △ 2) PACKARD 280 SERIES, CUSTOMER INSTALLED TERMINALS, 2-4 REQUIRED:

TYPICAL P/N:	WIRE GAUGE
12034046	18-20
12066214	14-16
- 3) PATENT PENDING
- 4) SWITCH MATERIAL IS POLYPROPYLENE

DELTA SYSTEMS, INC. DOES NOT ASSUME ANY LIABILITY ARISING OUT OF THE MISAPPLICATION OF ANY PRODUCT

COMPUTER GENERATED DRAWING - NO MANUAL CHANGES ALLOWED

UNLESS OTHERWISE SPECIFIED DIMENSIONS ARE IN INCHES TOLERANCES ARE:

.xx± .02 .xxx± .005 ANG±

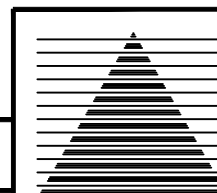
DO NOT SCALE DRAWING

DRAWN DMR DATE 10/02/00

CHECKED JH DATE 10/02/00

MATERIAL SEE NOTE 4

FINISH GRAY



DELTA

SYSTEMS INC.
STREETSBORO, OHIO 44241

TITLE LOW PROFILE NON-SHORTING CONNECTOR ASSEMBLY

SIZE B DWG. NO. 96546-GY

SCALE 2X PROJECT NO. EX360 REV A