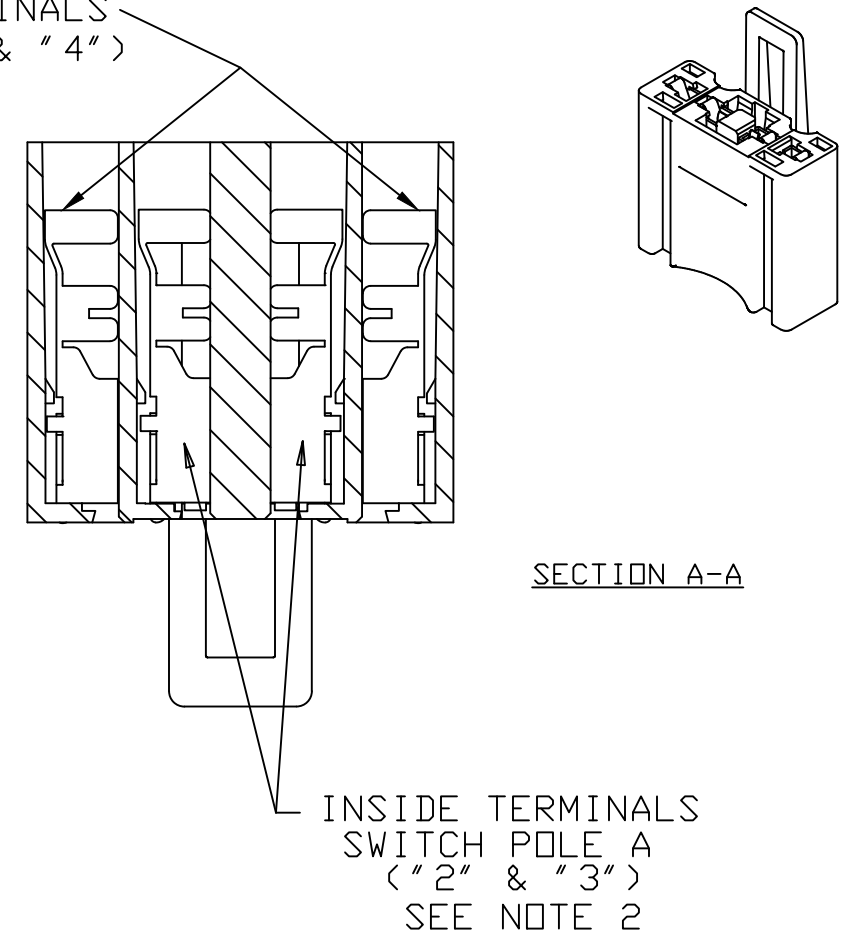
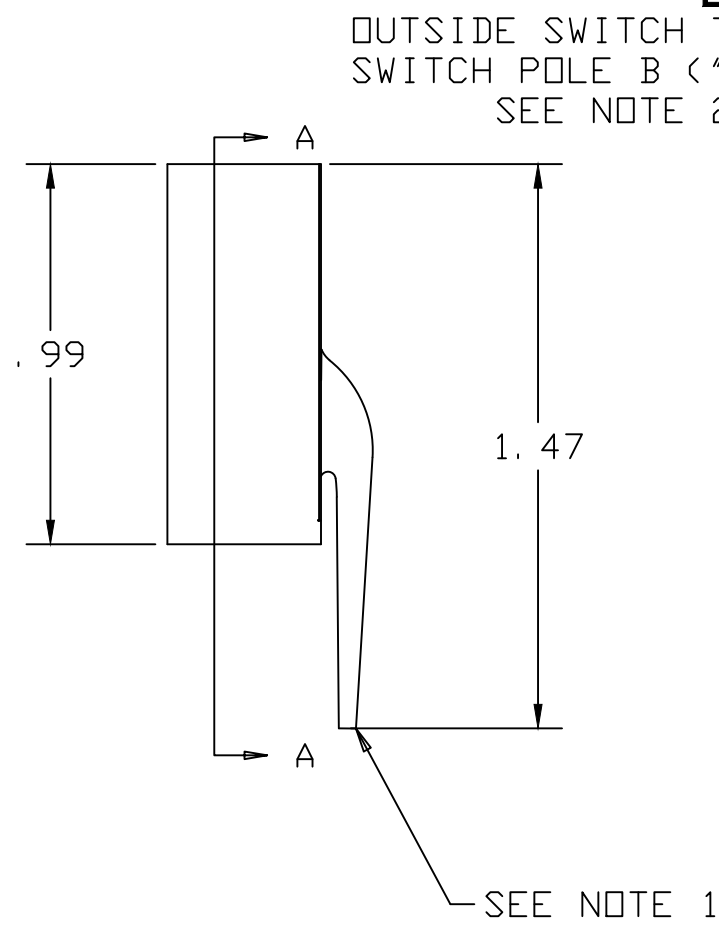
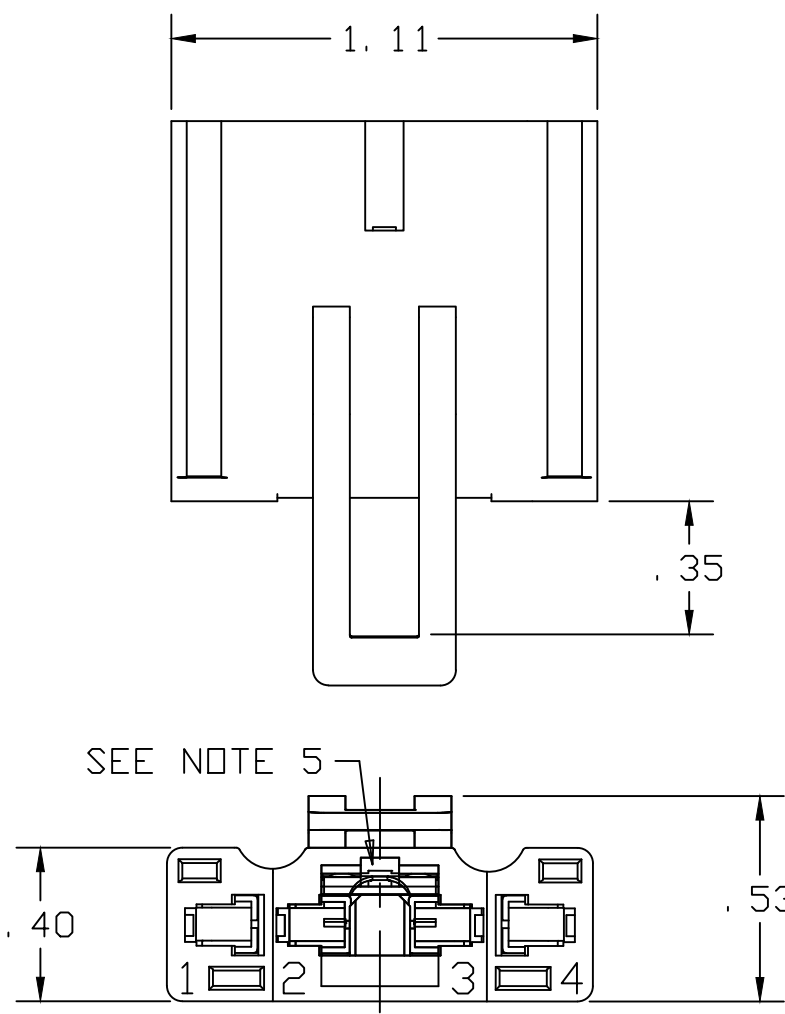


REVISIONS			
~	INITIAL RELEASE, CR 1338	10/11/99	JH
A	REV TERM SPEC, ADD CRITICAL CHAR.	02/22/00	JH
"	REV SECTION VIEW, CR 1373	" " "	"
B	ADDED TEXT PER CR1397	10/02/00	JH
C	UPDATED MAT'L, CN3255	06/07/12	IDK



△ DESIGNATES CRITICAL CHARACTERISTIC

NOTES

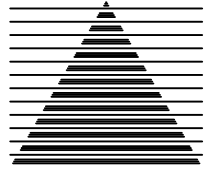
- 1) LOCKING CLIP MATES WITH DSI 6444/6544 SERIES SWITCH.
 - 2) PACKARD 280 SERIES, CUSTOMER INSTALLED TERMINALS, 2-4 REQUIRED:
- | | | |
|-----|-------------|------------|
| (A) | TYPICAL P/N | WIRE GAUGE |
| | 12034046 | 18-20 |
| | 12066214 | 14-16 |
- 3) PATENT PENDING
 - 4) SWITCH MATERIAL IS POLYPROPYLENE
 - 5) SHORTING SPRING SHOWN IN FAIL SAFE MODE (NORMALLY CLOSED, POLE A). SPRING MOVES AWAY FROM TERMINALS WHEN PLUGGED INTO DSI SWITCH.
 - 6) DATE CODE INDICATES YEAR, MONTH AND DAY OF MANUFACTURE.

DELTA SYSTEMS, INC. DOES NOT ASSUME ANY LIABILITY ARISING OUT OF THE MISAPPLICATION OF ANY PRODUCT

COMPUTER GENERATED DRAWING - NO MANUAL CHANGES ALLOWED

UNLESS OTHERWISE SPECIFIED DIMENSIONS ARE IN INCHES TOLERANCES ARE:
 .xx± .02 .xxx± .005 ANG±
 DO NOT SCALE DRAWING

DRAWN	DATE
MEL	06/25/99
CHECKED	DATE
JH	10/11/99
MATERIAL	
SEE NOTE 4	
FINISH	
GRAY	

 DELTA SYSTEMS INC. STREETSBORO, OHIO 44241	
TITLE LOW PROFILE SHORTING CONNECTOR ASSEMBLY	
SIZE B	DWG. NO. 96545-GY
SCALE 2X	PROJECT NO. EX360
	REV C