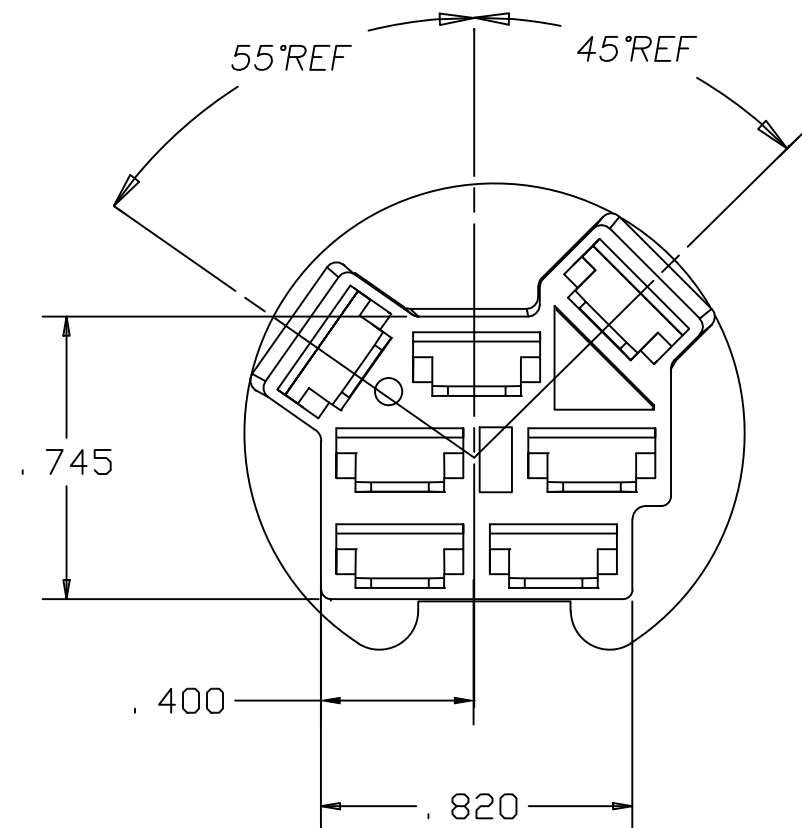
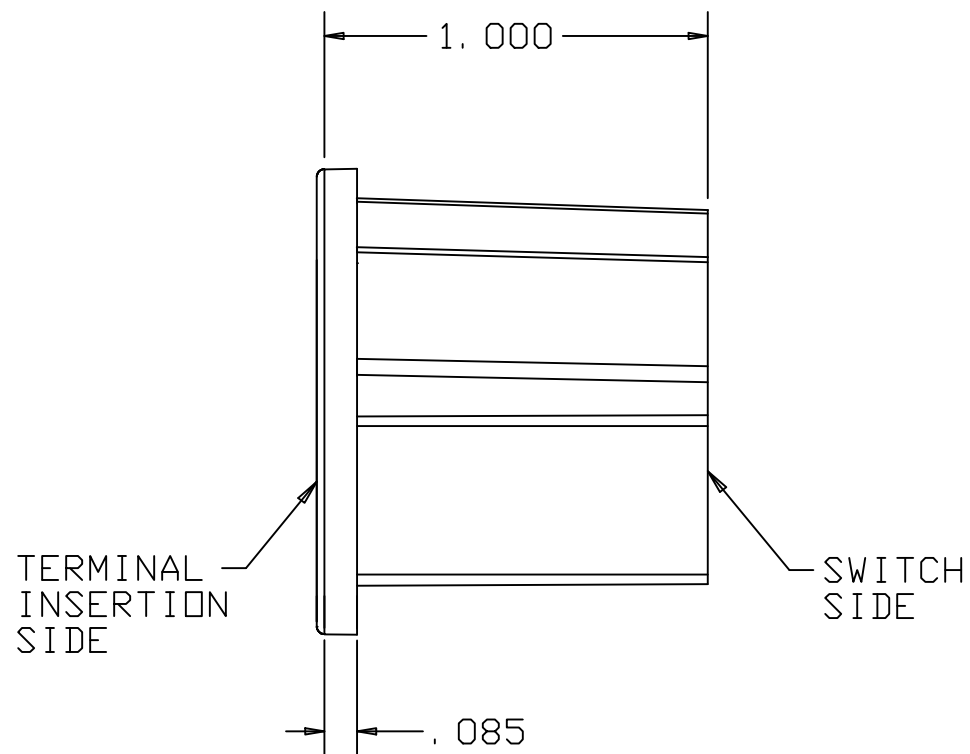
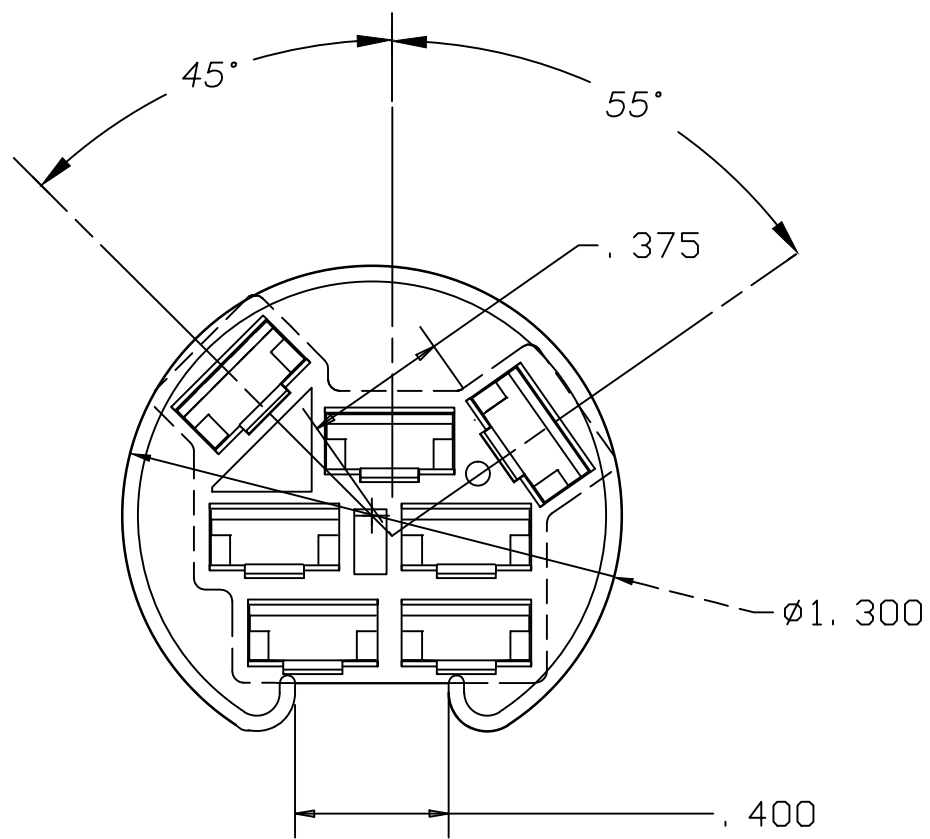
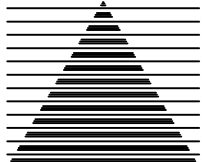


REVISIONS			
~	RELEASED FROM EX, CR 843	08/12/96	TW
A	ADDED $\phi 1.300$, CR 879	08/12/96	TW
B	UPDATE VIEWS, CR1488	1/23/03	JG
C	UPDATED MAT'L, CN3255	06/07/12	IDK



- 1-THESE CONNECTOR FITS DSI 6800-47, 6850-47, 6900-47 PIN OUT PATTERN.
- 2-CONNECTOR AND DSI SWITCHES ACCEPT PACKARD 56 SERIES FEMALE TERMINALS WITHOUT LOCKING NIB. (INSTALLED BY CUSTOMER.)
- 3-MATERIAL: POLYPROPYLENE
- 4-COLOR: BLACK.

DELTA SYSTEMS, INC. DOES NOT ASSUME ANY LIABILITY ARISING OUT OF THE MISAPPLICATION OF ANY PRODUCT		DRAWN LMM	DATE 08/12/96	 DELTA SYSTEMS INC. STREETSBORO, OHIO 44241		
		CHECKED	DATE			
COMPUTER GENERATED DRAWING - NO MANUAL CHANGES ALLOWED		MATERIAL SEE NOTE 3		TITLE 7-WAY CONNECTOR IGNITION SWITCH		
		FINISH SEE NOTE 4		SIZE B	DWG. NO. 972311	
UNLESS OTHERWISE SPECIFIED DIMENSIONS ARE IN INCHES TOLERANCES ARE: .xx± .02 .xxx± .005 ANG± 1° DO NOT SCALE DRAWING				SCALE 2X	PROJECT NO. E-311	REV C