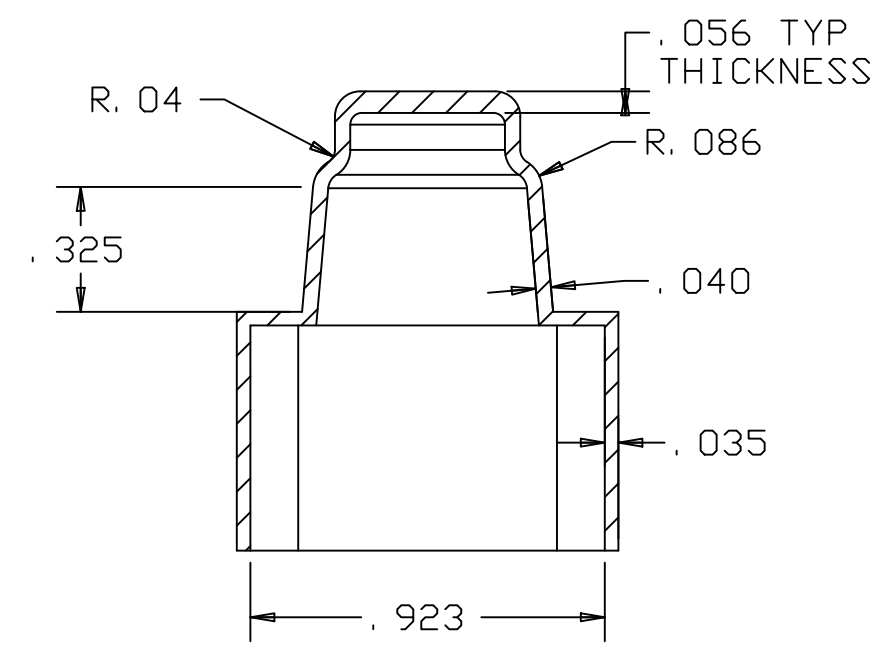
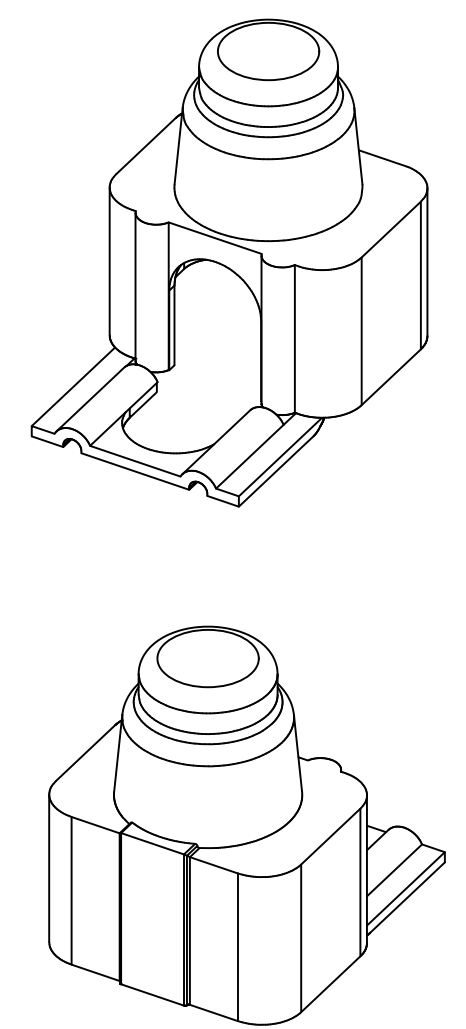
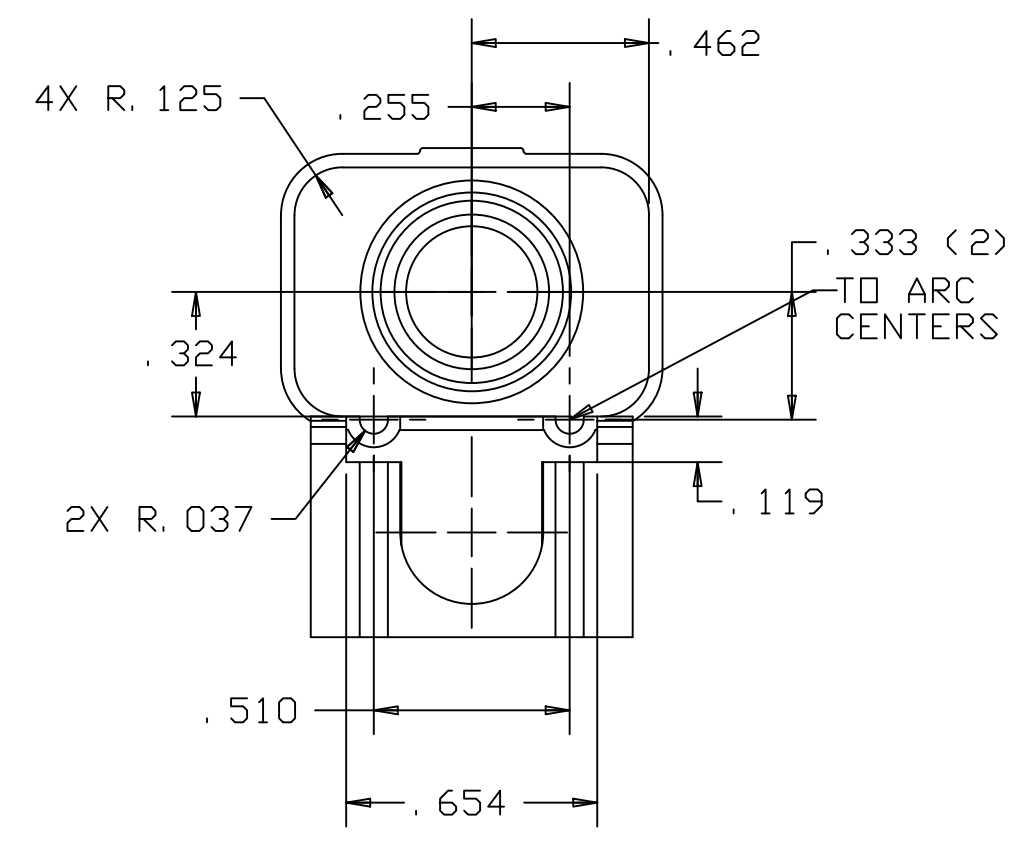
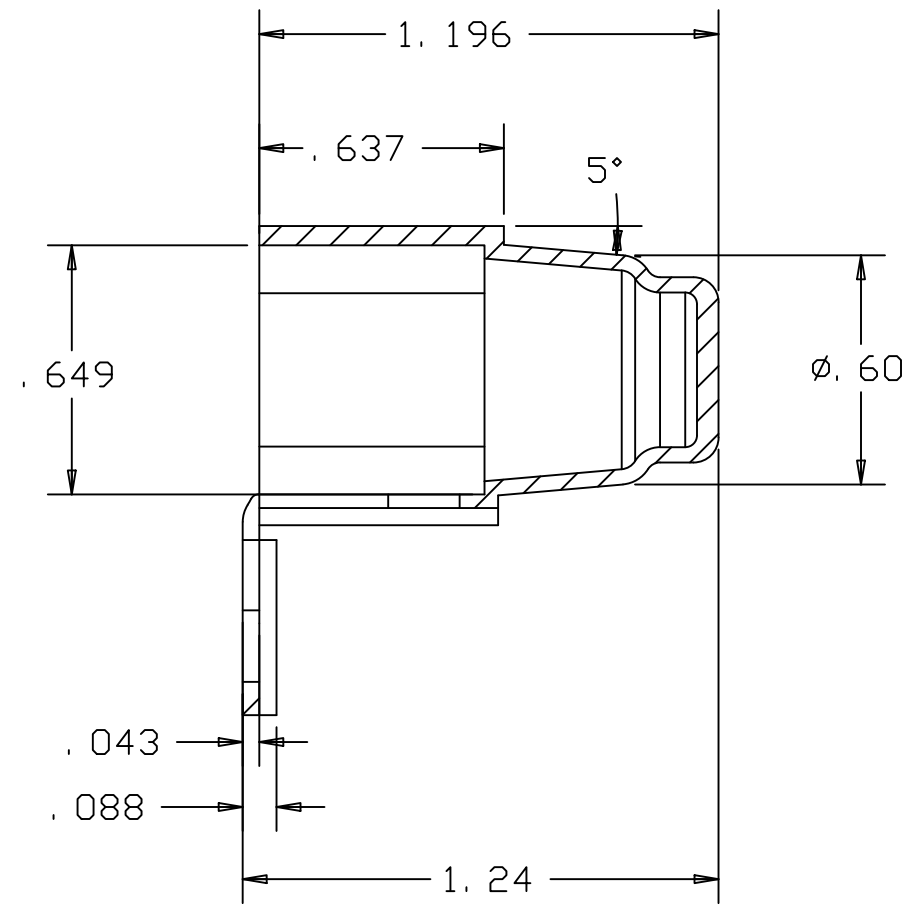
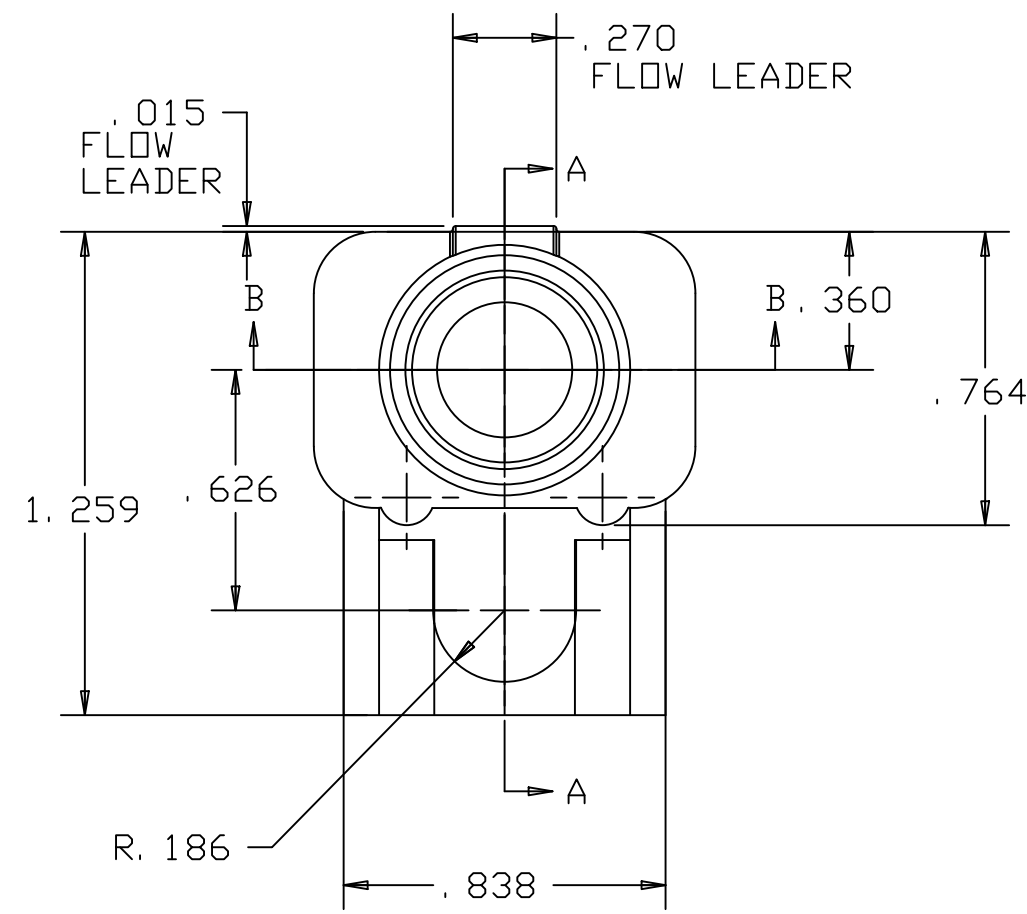
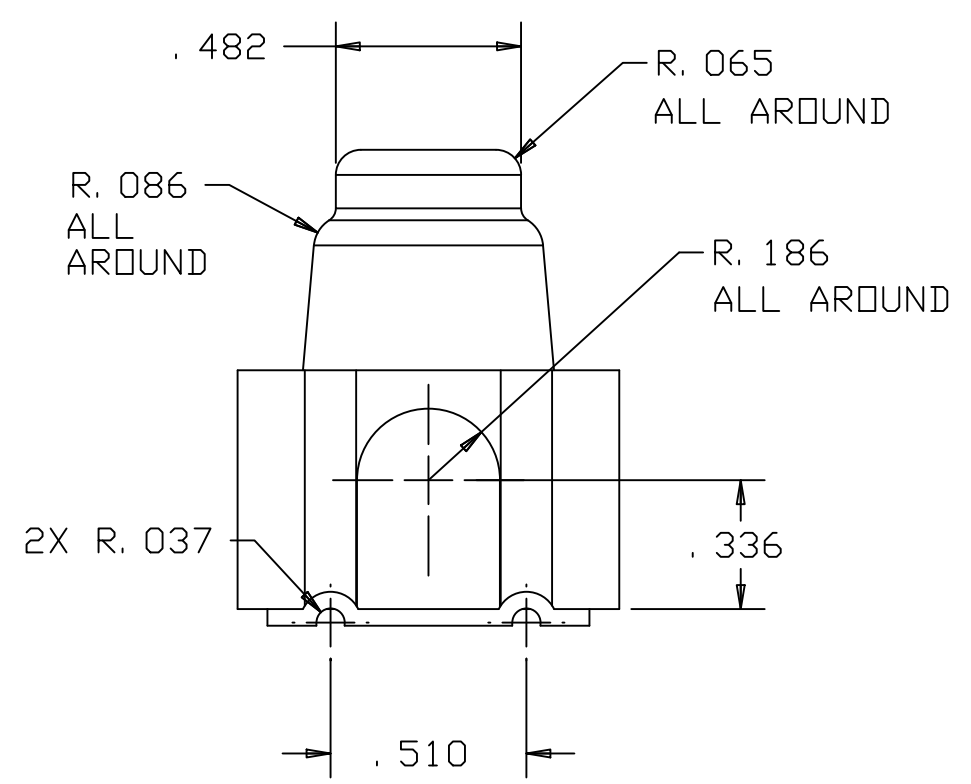


REVISIONS			
~	INITIAL RELEASE, CR1803	01/05/10	DRY
A	ADDED FLASH NOTE, CR2634	11/30/10	DRY
B	CHANGED DIMS REF. REL CR1844	03/15/11	DRY



SECTION B-B



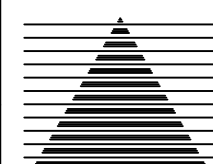
NOTES:

1. UNSPECIFIED RADII - .03 INCH
2. UNSPECIFIED DRAFT NOT TO EXCEED 1°
3. DRAFT MUST ALWAYS BE APPLIED IN A MANNER WHICH MINIMIZES THE VOLUME OF THE PART
4. LOCATION OF GATES AND EJECTOR PINS, MUST BE APPROVED BY DELTA ENGINEERING PRIOR TO MOLD CONSTRUCTION
5. MAXIMUM CONTINUOUS REGRIND LEVEL NOT TO EXCEED 30%

COMPUTER GENERATED DRAWING - NO MANUAL CHANGES ALLOWED

UNLESS OTHERWISE SPECIFIED DIMENSIONS ARE IN INCHES TOLERANCES ARE:
 XX±.02 .XXX±.005 ANG± 1°
 DO NOT SCALE DRAWING

DRAWN	DATE
MA	01/28/09
CHECKED	DATE
MEL	10/01/09
MATERIAL	
SANTOPRENE PER SPEC. #43197	
FINISH	
SEE NOTES	

 DELTA SYSTEMS INC. STREETSBOARD, OHIO 44241		TITLE	
		PROTECTIVE COVER RAIL FRAME PLUNGER SWITCH	
SIZE	C	DWG. NO.	9913
SCALE	N/A	PROJECT NO.	EX0097
		REV	B