

SEALED BOLT MOUNT PLUNGER SWITCHES

Model Series 6420



- Wiping action helps clean contacts to increase switch life
- Screw or rivet mount
- Easy to design into your application
- One or two independent electrical circuits
- RoHS and REACH compliant

OPERATION

Delta Systems' Plunger Switches are used to sense the position of mechanical linkages and controls. Wiping action helps to clean the contacts during use, keeping contact resistance low and extending switch life in rugged environments. For applications where the switching current is low (<100 mA, requiring clean contacts for reliable switching) and/or exposure to moisture and contaminants is high. They are ideally suited for electric-powered mowers and off-highway vehicles, as well as products with >2000-hour expected life, like commercial outdoor power, agricultural, construction, and light industrial equipment.

ELECTRICAL SPECIFICATIONS

Cycles: Resistive: 75,000, Inductive: 10,000

Operating Voltage: Range: 9-16 V_{DC}

Operating Current: 3 Amps

Pre-travel, inches: .040-.150

Operating Temperature Range: -20 °F to 150 °F

ENVIRONMENTAL RATINGS

| Exposure | Specification |
|---------------------|---|
| Ingress Protection | IEC 60529 IP67 |
| Salt Fog | ASTM B117. 96 hours |
| Chemical Resistance | ASTM Ref C Fuel, Diesel Fuel, Oil, Antifreeze, Freon, Paint, Latex, Gasoline, Gas with 10% ethanol, WD-40, Battery Acid, Ammoniated Glass Cleaner, Kerosene, GOJO® Fertilizer |

SEALED BOLT MOUNT PLUNGER SWITCHES

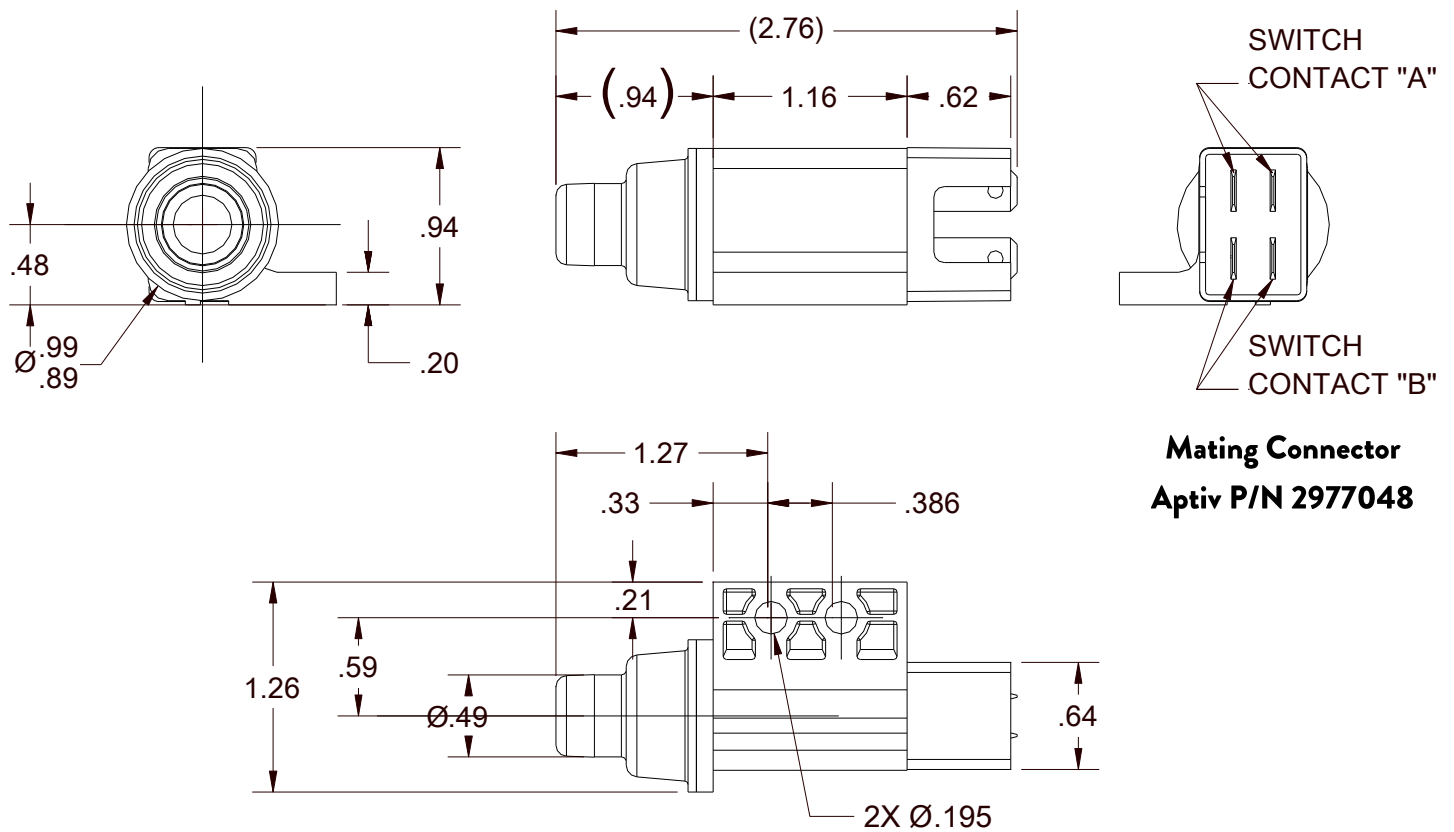
Model Series 6420

AVAILABLE CONFIGURATIONS

| Part Number | Electrical Configuration | |
|-------------|--------------------------|--------|
| | Pole A | Pole B |
| 6420-02 | NO | NO |
| 6420-03 | NC | NC |
| 6420-53 | NO | NC |

DIMENSIONS

Note: For specific Part information please refer to the Application print



Mating Connector
Aptiv P/N 2977048

Note: Life expectancy and switch performance are largely dependent on application. It is the user's responsibility to determine suitability of this product for the application. This information is intended as a guide for proper application.