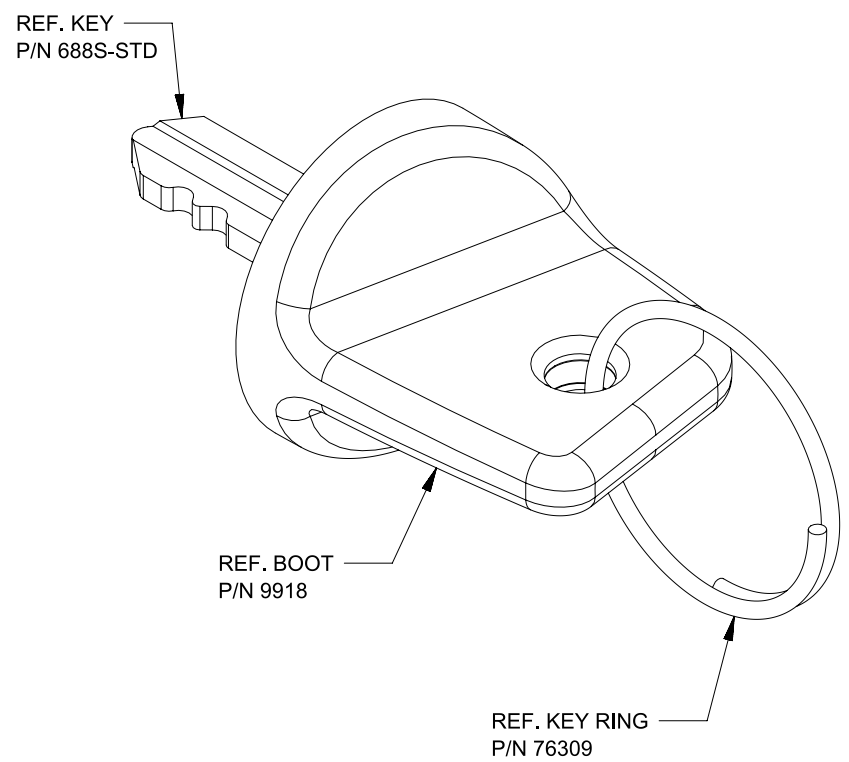
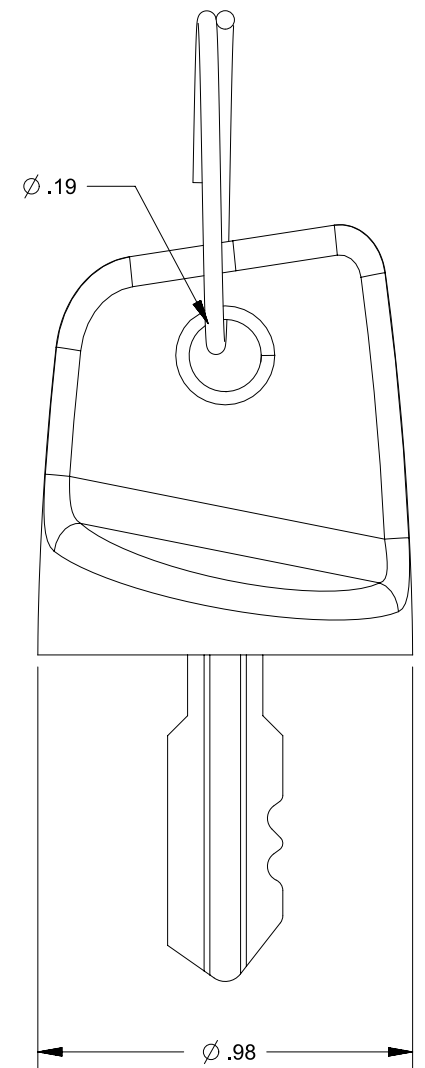
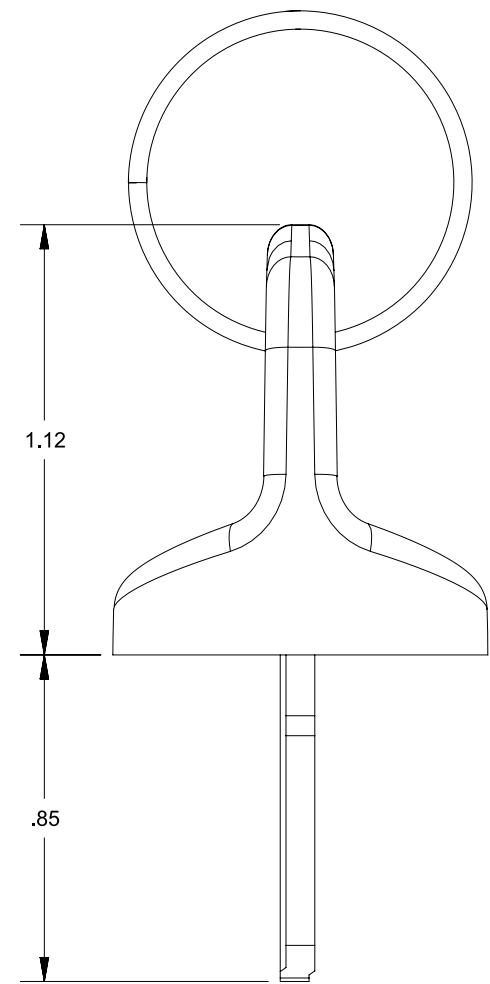


8 7 6 5 4 3 2 1

**REVISIONS**

REV.	DESCRIPTION	DATE	INIT
0	INITIAL RELEASE	04/22/16	IDK
1	NOTES 8 AND 9 ADDED. ECO 1089	09/27/19	DJK



**NOTES**

- 1) MUST BE IN COMPLIANCE WITH DIRECTIVE 2011/65/EU OF THE EUROPEAN PARLIAMENT AND THE COUNCIL OF 8 JUNE 2011 ON THE RESTRICTION OF THE USE OF CERTAIN HAZARDOUS SUBSTANCES IN ELECTRICAL AND ELECTRONIC EQUIPMENT (ROHS DIRECTIVE)
- 2) KEY IS NICKEL PLATED STEEL
- 3) COVER MATERIAL IS 80 DUROMETER SHORE A TPE
- 4) COVER OUTSIDE SURFACES TO BE TEXTURED TO MT 11020 OR EQUIVALENT
- 5) FITS ALL 6900/6901 SERIES IGNITION SWITCHES
- 6) UNLESS OTHERWISE SPECIFIED, MATH DATA IS MASTER AND .040 APPLIES
- 7) INTERPRET THIS DRAWING IN ACCORDANCE WITH ASME Y14.5-2009
- ① 8) HARDNESS: 60-100 ROCKWELL B
- ① 9) KEY MUST WITHSTAND A TORQUE OF 20 IN-LBS WITHOUT BENDING (0°±5°). BEYOND 20 IN-LBS, FAILURE MUST BE IN BENDING, NOT SHEAR.

PROPRIETARY & CONFIDENTIAL THE INFORMATION CONTAINED IN THIS DRAWING IS THE SOLE PROPERTY OF DELTA SYSTEMS. ANY REPRODUCTION IN PART OR AS A WHOLE WITHOUT THE WRITTEN PERMISSION OF DELTA SYSTEMS IS PROHIBITED.	UNLESS OTHERWISE SPECIFIED DIMENSIONS ARE IN INCHES TOLERANCES ARE: .X± .1 .XX± .02 .XXX± .005 X°± 1°	DRAWN ikirbaw	DATE 22-Apr-2016	<b>DELTA SYSTEMS</b> 1734 FROST ROAD STREETSBORO, OHIO 44241 330-626-2811 WWW.DELTASYSTEMSINC.COM
		CHECKED bkirkman	DATE 02-May-2016	
APPROVED ikirbaw	DATE 29-Aug-2016	MATERIAL SEE NOTES	PROJECTED VIEWS ARE 3RD ANGLE 	
DELTA SYSTEMS INC. DOES NOT ASSUME ANY LIABILITY ARISING OUT OF THE MISAPPLICATION OF ANY PRODUCT	COMPUTER GENERATED DRAWING - NO MANUAL CHANGES ALLOWED	FINISH DO NOT SCALE DRAWING		TITLE Key Cover Assembly, 6900 Series
		STATUS DS4_Design	SCALE NTS	DWG. NO. 688P-UMB-003
		SHEET 1 OF 1	PROJECT NO. 050	REVISION 1

8 7 6 5 4 3 2 1