

# SEALED BOLT MOUNT PLUNGER SWITCHES

Model Series 6404



- Sealed to Ingress IP67
- One or two independent electrical circuits
- Blue housing for quick identification
- Screw or rivet mount
- Easy to design into your application
- RoHS and REACH compliant

## OPERATION

Delta Systems' Sealed Plunger Switches are fully sealed to IP67, with similar form, fit and function as their unsealed counterparts. Installs easily with threaded fasteners or rivets. Designed for applications where high reliability is required in a harsh environment. Additional electrical configurations and/or sealed connection available upon request.

## ELECTRICAL SPECIFICATIONS

Cycles: Resistive: 75,000, Inductive: 10,000

Operating Voltage: Range: 9-16V<sub>DC</sub>

Operating Current: 3 Amps

Pre-travel, inches: .040-.150

Static Force @ 0.48" Travel: 8.1+/-0.3 lb.

## ENVIRONMENTAL RATINGS

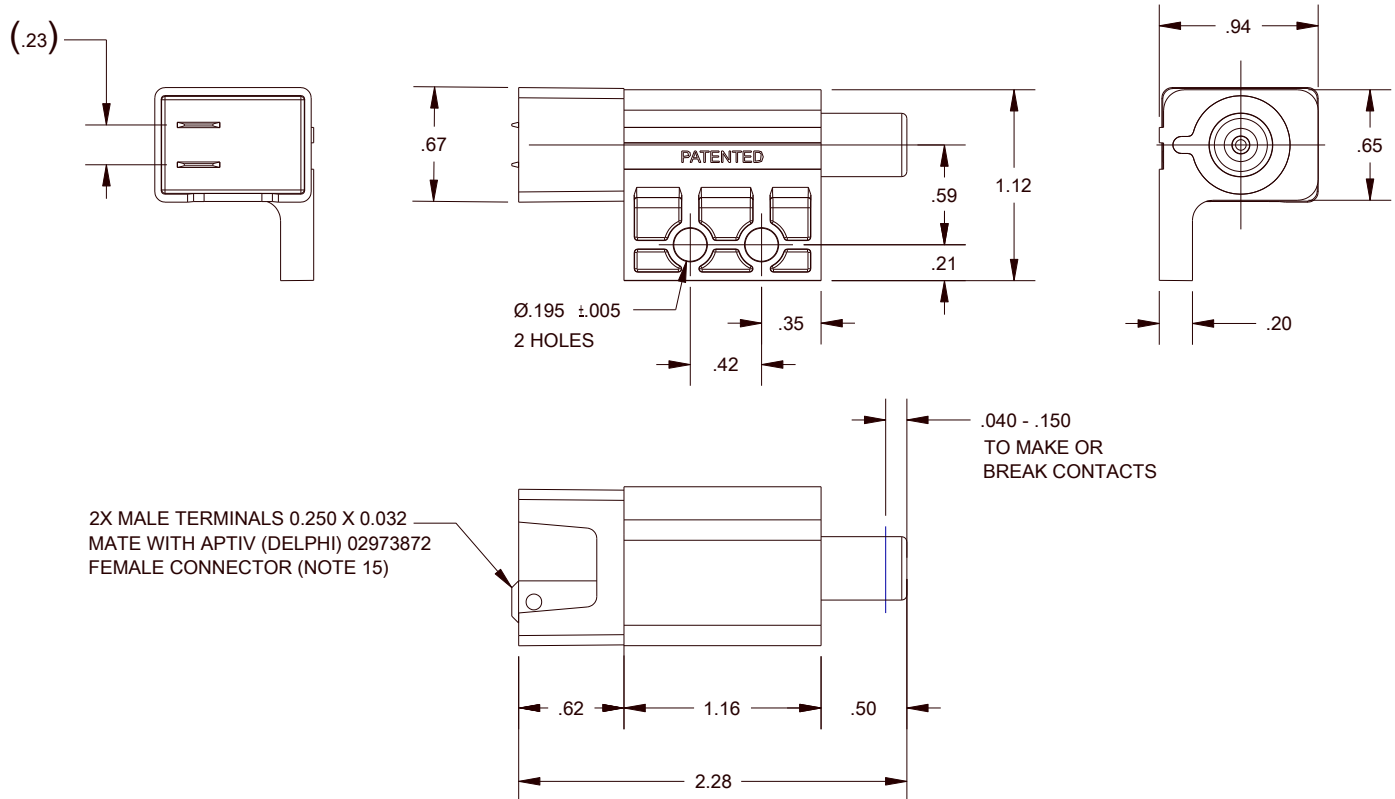
Exposure	Specification
Ingress Protection	IEC IP67
Operating Temperature Range	-30 °C to 65 °C
Salt Fog	ASTM B117, 96 hours
Chemical Resistance	Gasoline, Diesel Fuel, Hydraulic Oil, Engine Oil, 10% DEET Bug Repellent, Salt Water Solution, Wax, Sunscreen, Insect Killer, Weed Killer, Liquid Fertilizer, Bleach Disinfectant Spray, Mole Repellent, Bleach, Ammonia, Isopropyl Alcohol, Degreaser, Battery Acid

## AVAILABLE CONFIGURATIONS

Part Number	Electrical Configuration
6404-05	NC
6404-06	NO

## DIMENSIONS

Note: For specific part information please refer to the Application print



Note: Life expectancy and switch performance are largely dependent on application. It is the user's responsibility to determine suitability of this product for the application. This information is intended as a guide for proper application.