

| REVISIONS | | | |
|-----------|--------------------------|----------|----|
| ~ | INITIAL RELEASE, CR 1627 | 02/24/06 | MA |
| | | | |
| | | | |
| | | | |

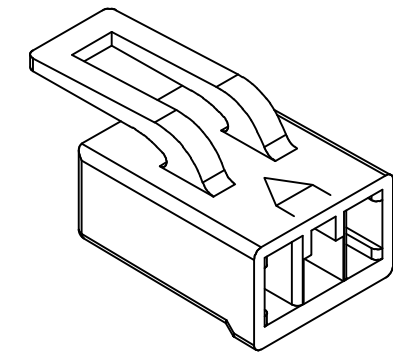
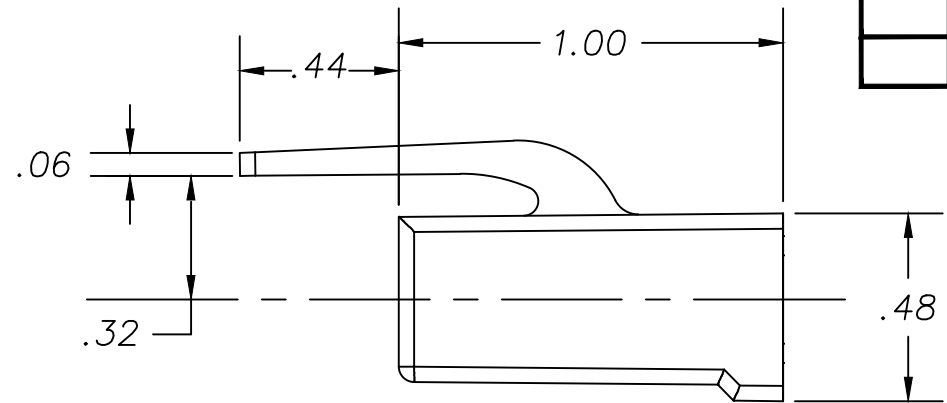
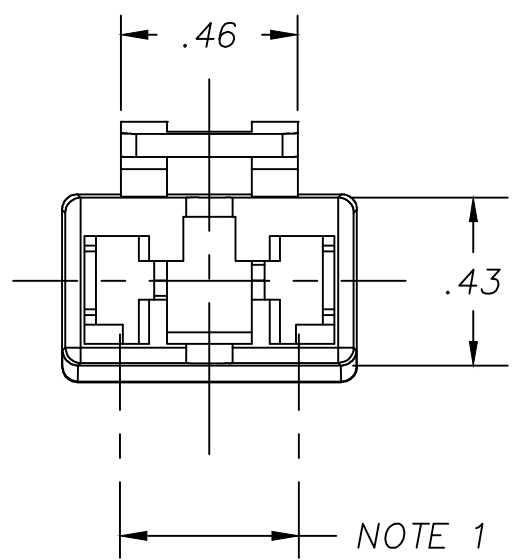
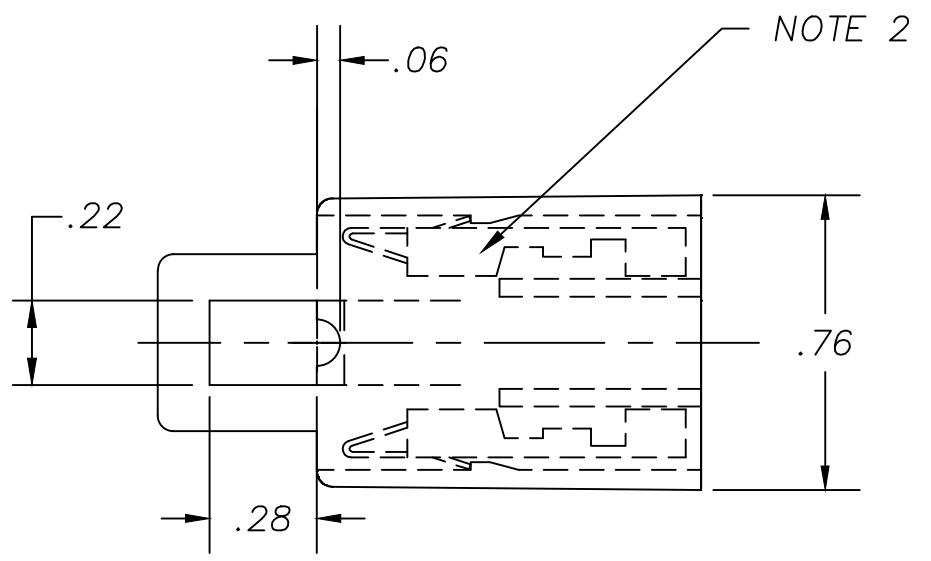


TABLE #1

| PACKARD ELECTRIC TERMINAL P/N's | | | |
|---------------------------------|----------|----------|-------------|
| WIRE GA. | PLATED | UNPLATED | LOCKING NIB |
| 18 GA. | 2965510 | 2962572 | NO |
| 16 GA. | 2965867 | 2962573 | NO |
| 18-20 GA. | 12124523 | N/A | NO |
| 18-20 GA. | 12124513 | N/A | NO |
| 14-16 GA. | 12124515 | N/A | YES |
| 14-16 GA. | 12124517 | N/A | NO |
| 12 GA. | 12124518 | N/A | YES |
| 12 GA. | 12124519 | N/A | NO |



NOTES:

- 1-THESE DIMENSION AND LOCKING CLIP MATE WITH DSI 6500 AND 6520 SERIES SEAT SWITCHES AND 6440 SERIES SNAP MOUNT SWITCH.
- 2-PACKARD 56 SERIES FEMALE TERMINALS WITH AND WITHOUT MATING NIB (2) INSTALLED BY CUSTOMER. (SEE TABLE 1.)
- 3-MATERIAL IS NYLON.

DELTA SYSTEMS, INC. DOES NOT ASSUME ANY LIABILITY ARISING OUT OF THE MISAPPLICATION OF ANY PRODUCT

UNLESS OTHERWISE SPECIFIED DIMENSIONS ARE IN INCHES TOLERANCES ARE:
 .xx± .02 .xxx± .005 ANG± 1°

COMPUTER GENERATED DRAWING - NO MANUAL CHANGES ALLOWED

DO NOT SCALE DRAWING

| | |
|------------------------|------------------|
| DRAWN MA | DATE 01/26/06 |
| CHECKED JM | DATE 01/31/06 |
| MATERIAL SEE NOTE 3 | |
| FINISH BLACK | |

DELTA
SYSTEMS INC.
STREETSBORO, OHIO 44241

TITLE: CONNECTOR HOUSING

SIZE: B

DWG. NO.: 96526A

SCALE: 2X

PROJECT NO.: EX311

REV: ~