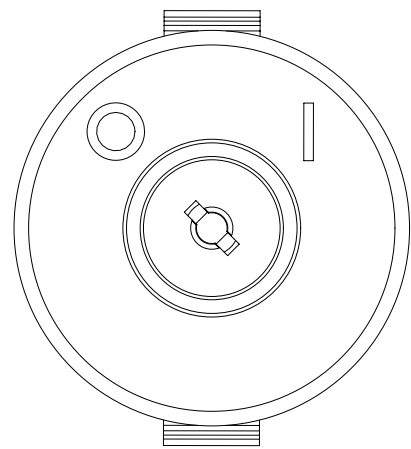
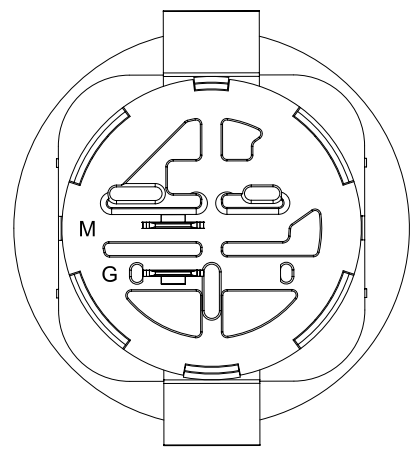


REVISIONS			
REV.	DESCRIPTION	DATE	INIT
0	INITIAL RELEASE	07/20/2020	IDK

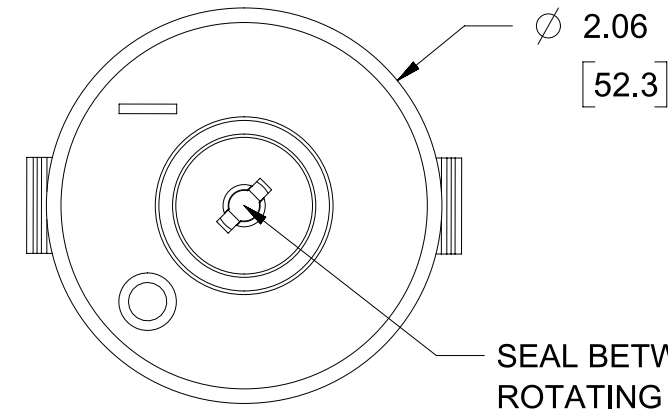


FRONT VIEW

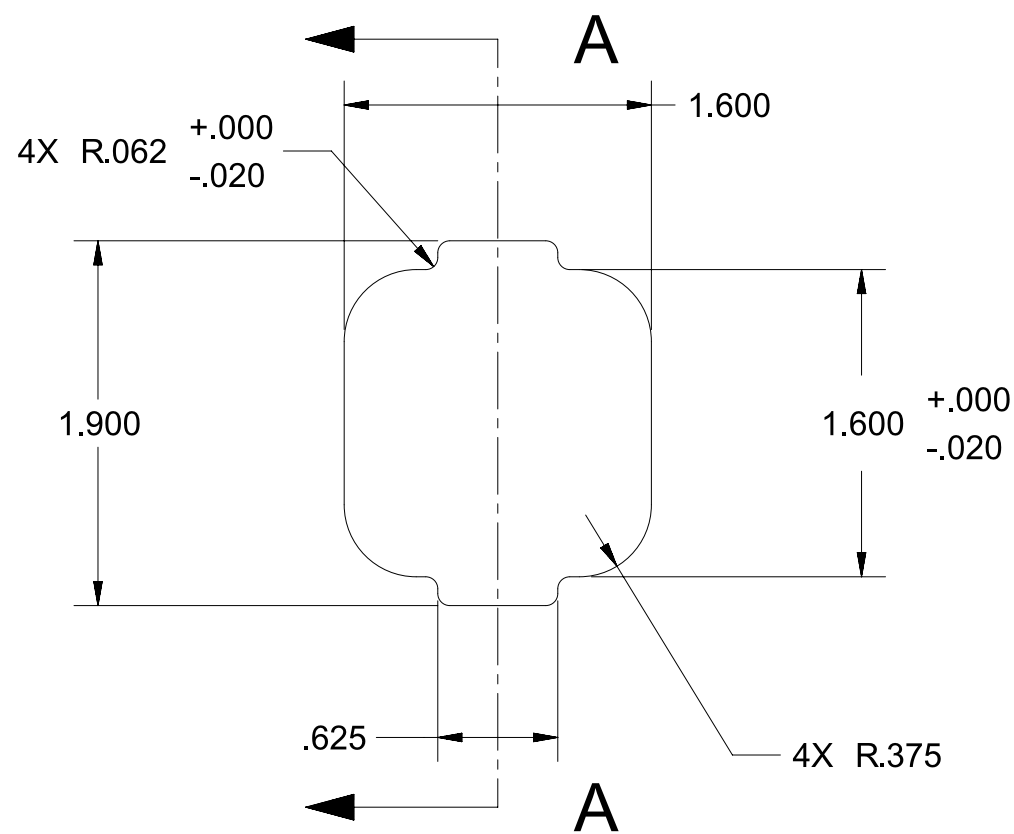


BACK VIEW

POSITION	ROTATION	FUNCTION	CONTACT
1	0°	OFF	OPEN
2	90°	ON	M+G



SEAL BETWEEN ROTATING SHAFT AND SWITCH HOUSING



SQUARE EDGES THIS SIDE FOR SNAP WINGS TO MATE WITH

SECTION A-A

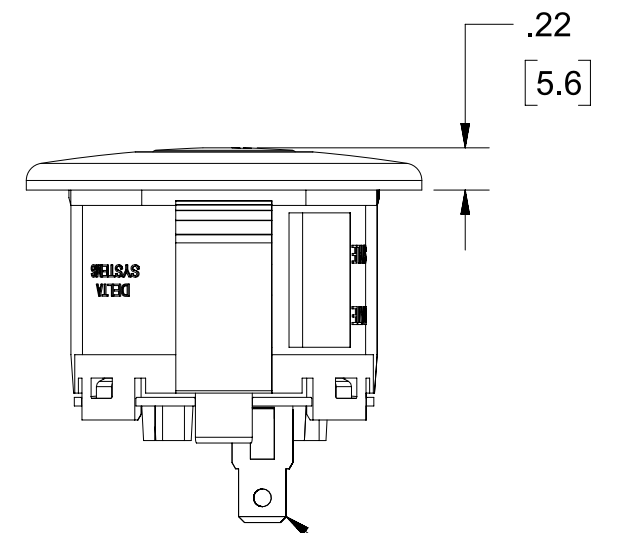
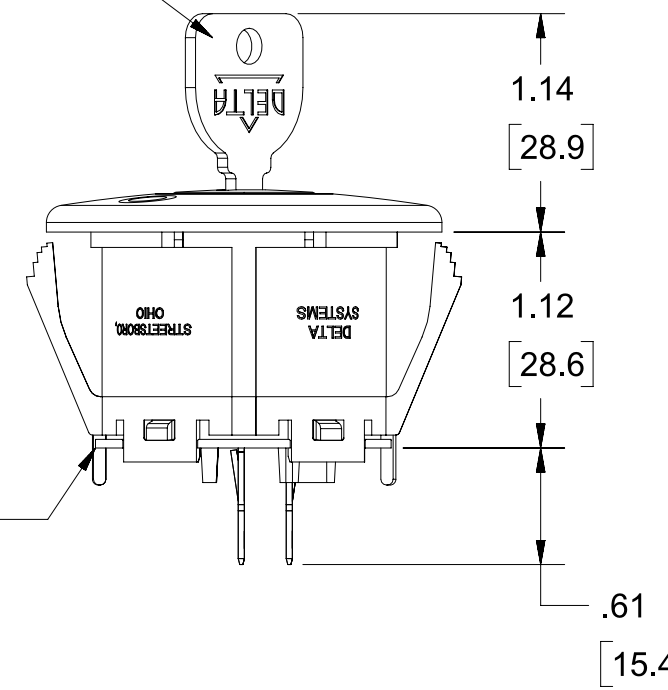
RECOMMENDED PANEL THICKNESSES:
 .048 MAX
 .060 MAX
 .105 MAX
 .165 MAX

SWITCH ENTERS FROM THIS SIDE
 NO BURRS THIS SIDE

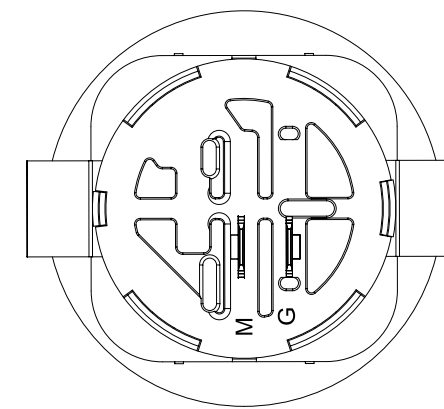
RECOMMENDED MOUNTING HOLE AND PANEL THICKNESSES - INCLUDING PAINT AND DECALS.

SEE NOTE 3

SEE NOTE 8



2X .03 X .25 MALE TERMINALS USE TYCO POSITIVE LOCK CONNECTOR (P/N 521120-1) HAVING FEMALE TERMINALS (P/N 63854) OR EQUIVALENT



NOTES:

- 1-DIMENSIONS IN BRACKETS [] ARE IN MILLIMETERS; MILLIMETER TOLERANCES ARE: .X±.5, .XX±.13
- 2-OUTER PLASTIC PARTS ARE POLYPROPYLENE. TERMINALS ARE BRONZE.
- 3-KEY IS SHIPPED SEPARATELY. MAXIMUM TORQUE FOR KEY IS 20 IN LBS. USE DELTA KEY ONLY. DELTA STEEL KEY PART# 688S-STD.
- 4-SWITCH STYLE MARKED ON HOUSING.
- 5-DATE CODE INDICATING YEAR, MONTH, AND DAY OF MONTH MANUFACTURED MARKED ON HOUSING.
- 6-SWITCH ELECTRICAL FUNCTIONALITY TESTED AFTER ASSEMBLY
- 7-ELECTRICAL RATING, CONTINUOUS: 20A @ 12-14 VDC
5A @ 56-60 VDC
ELECTRICAL LIFE: 5K CYCLES @ 10 AMPS, 12-14 VDC INDUCTIVE
10K CYCLES @ 5 AMPS, 12-14 VDC INDUCTIVE
50K CYCLES @ 400mA, 48-50 VDC RESISTIVE
- 8-PULL FORCE TO DISLOCATE BACK COVER IS 80 LBS. MINIMUM
- 9-MUST BE IN COMPLIANCE WITH DIRECTIVE 2011/65/EU OF THE EUROPEAN PARLIAMENT AND THE COUNCIL OF 08 JUNE 2011 ON THE RESTRICTION OF THE USE OF CERTAIN HAZARDOUS SUBSTANCES IN ELECTRICAL AND ELECTRONIC EQUIPMENT (ROHS DIRECTIVE).
- 10-INTERPRET DRAWING IN ACCORDANCE WITH ASME Y14.5-2009

PROPRIETARY & CONFIDENTIAL THE INFORMATION CONTAINED IN THIS DRAWING IS THE SOLE PROPERTY OF DELTA SYSTEMS. ANY REPRODUCTION IN PART OR AS A WHOLE WITHOUT THE WRITTEN PERMISSION OF DELTA SYSTEMS IS PROHIBITED.	UNLESS OTHERWISE SPECIFIED DIMENSIONS ARE IN INCHES TOLERANCES ARE: .X ± .1 .XX ± .02 .XXX ± .005 X° ± 1	DRAWN ikirbaw CHECKED pcolonna APPROVED dzlatic MATERIAL SEE NOTE 2 FINISH SEE NOTE 2 DO NOT SCALE DRAWING	DATE 20-Jul-2020 DATE 22-Jul-2020 DATE 23-Jul-2020	DELTA SYSTEMS 1734 FROST ROAD STREETSBORO, OHIO 44241 330-626-2811 WWW.DELTASYSTEMSINC.COM TITLE Key Switch, Snap-In, 2-Pos, NO	
	DELTA SYSTEMS INC. DOES NOT ASSUME ANY LIABILITY ARISING OUT OF THE MISAPPLICATION OF ANY PRODUCT	COMPUTER GENERATED DRAWING - NO MANUAL CHANGES ALLOWED	PROJECTED VIEWS ARE 3RD ANGLE		STATUS DS4_Design
	SCALE NTS		SHEET 1 OF 1		PROJECT NO. 6900-23P_APP
	REVISION 0		DWG. NO.		