

8

7

6

5

4

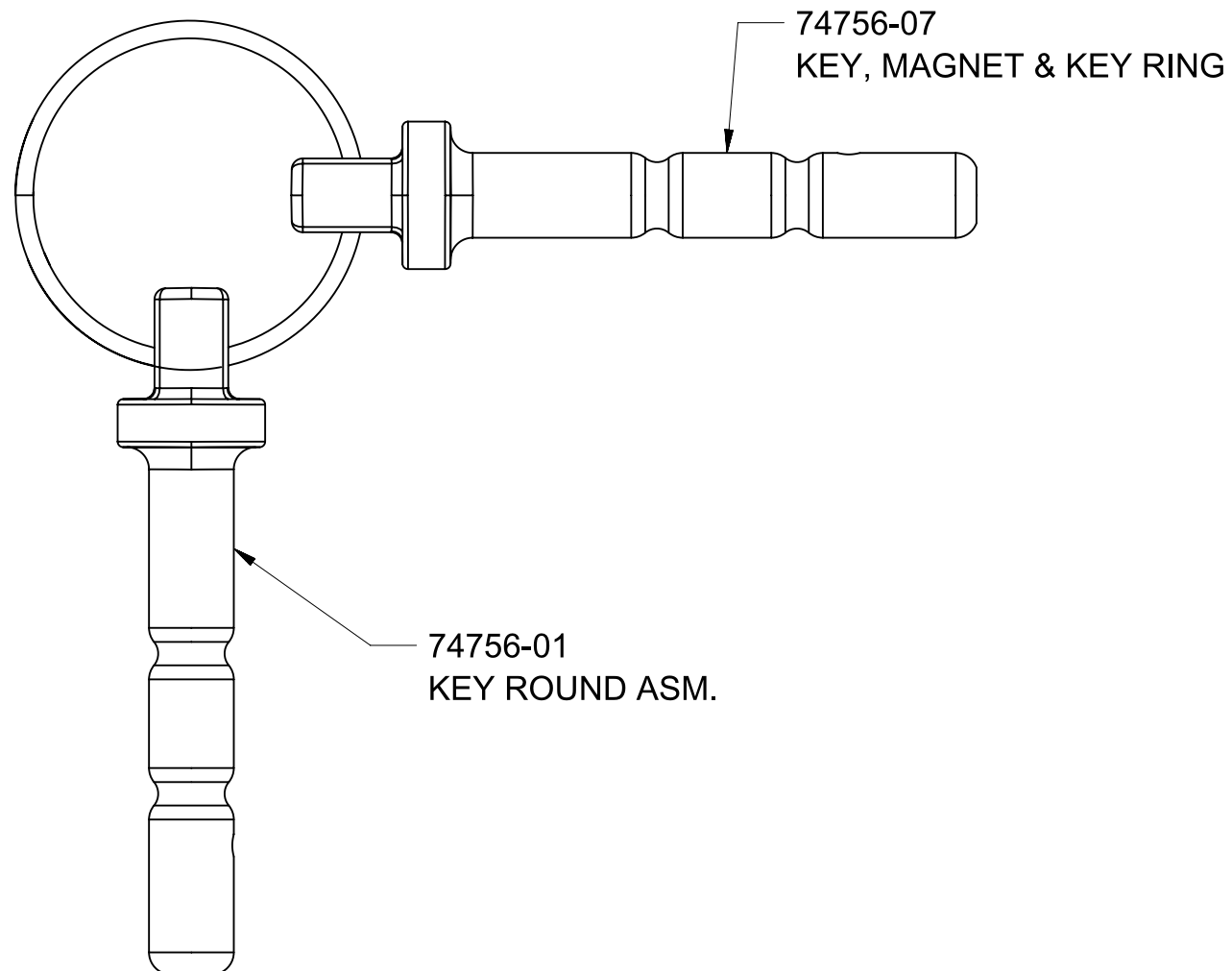
3

2

1


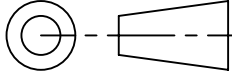
### REVISIONS

REV.	DESCRIPTION	DATE	INIT
0	INITIAL RELEASE, ECN000271	05/04/2023	RPK
1	74756-05REV1 WAS 74756-05REV0, REMOVED 79988 KEY RING & ONE 74756-01, ADDED 74756-07, ECN000323	12/18/2023	RPK



#### NOTES

- MUST BE IN COMPLIANCE WITH DIRECTIVE 2011/65/EU OF THE EUROPEAN PARLIAMENT AND THE COUNCIL OF 8 JUNE 2011 ON THE RESTRICTION OF THE USE OF CERTAIN HAZARDOUS SUBSTANCES IN ELECTRICAL AND ELECTRONIC EQUIPMENT (ROHS DIRECTIVE)
- INTERPRET THIS DRAWING IN ACCORDANCE WITH ASME Y14.5-2009

PROPRIETARY & CONFIDENTIAL THE INFORMATION CONTAINED IN THIS DRAWING IS THE SOLE PROPERTY OF DELTA SYSTEMS. ANY REPRODUCTION IN PART OR AS A WHOLE WITHOUT THE WRITTEN PERMISSION OF DELTA SYSTEMS IS PROHIBITED.	UNLESS OTHERWISE SPECIFIED DIMENSIONS ARE IN INCHES TOLERANCES ARE: .X± .1 .XX± .02 .XXX± .005 X°± 1°	DRAWN rkawolics	DATE 21-Mar-2023	 1734 FROST ROAD STREETSBORO, OHIO 44241 330-626-2811 WWW.DELTASYSTEMSINC.COM			
		CHECKED mmiroewski	DATE 04-May-2023				
APPROVED ikirbawy	DATE 05-May-2023	PROJECTED VIEWS ARE 3RD ANGLE 					
DELTA SYSTEMS INC. DOES NOT ASSUME ANY LIABILITY ARISING OUT OF THE MISAPPLICATION OF ANY PRODUCT	COMPUTER GENERATED DRAWING - NO MANUAL CHANGES ALLOWED	MATERIAL -	FINISH -	TITLE ASM - 2 KEY FOBS & 1 KEY RING			
		DO NOT SCALE DRAWING	STATUS DS4_Design	SIZE B	DWG. NO. 74756-05		
				SCALE NTS	SHEET 1 OF 1	PROJECT NO. 283	REVISION 1

8

7

6

5

4

3

2

1