

REVISIONS			
E	REDESIGN, CR 1269B	08/11/99	JH
F	SHORTENED WING SLOT, CR 1364	01/07/00	JH
G	CORRECTED PN'S IN TABLE #2	08/23/01	JH
H	EXPANDED TABLE #1, REMOVED -BK	02/24/06	MA
I	UPDATED MAT'L, CN3255	06/07/12	IDK

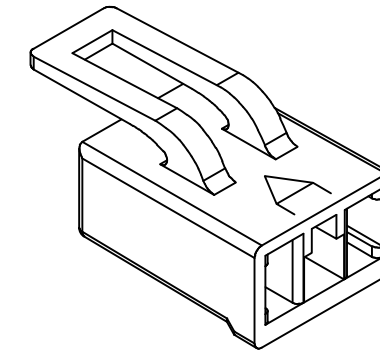


TABLE #1

PACKARD ELECTRIC TERMINAL P/N's			
WIRE GA.	PLATED	UNPLATED	LOCKING NIB
18 GA.	2965510	2962572	NO
16 GA.	2965867	2962573	NO
18-20 GA.	12124523	N/A	NO
18-20 GA.	12124513	N/A	NO
14-16 GA.	12124515	N/A	YES
14-16 GA.	12124517	N/A	NO
12 GA.	12124518	N/A	YES
12 GA.	12124519	N/A	NO

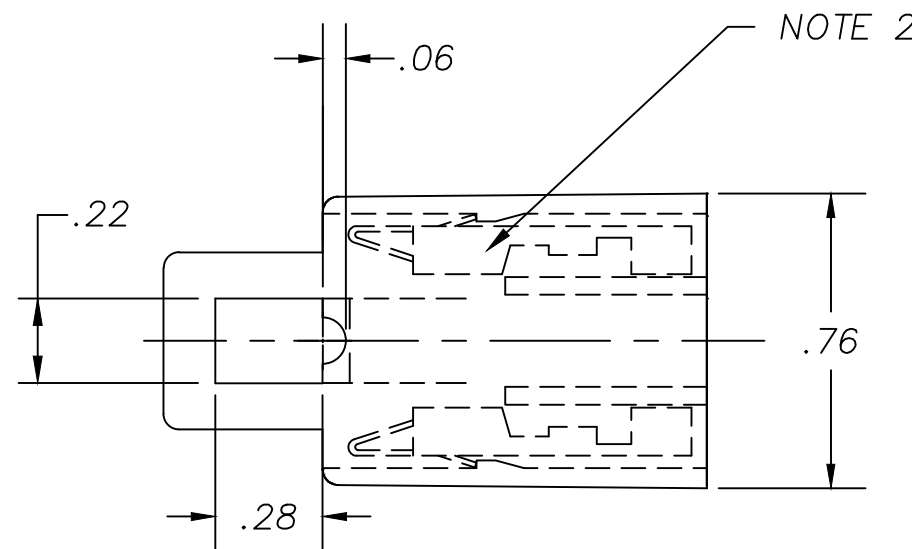



TABLE #2

DSI PART NUMBER	COLOR
96526-GY	GRAY
96526-OL	OLIVE

NOTES:

- 1-THESE DIMENSIONS AND LOCKING CLIP MATE WITH DSI 6500 AND 6520 SERIES SEAT SWITCHES AND 6440 SERIES SNAP MOUNT SWITCH.
- 2-PACKARD 56 SERIES FEMALE TERMINALS WITH AND WITHOUT MATING NIB (2) INSTALLED BY CUSTOMER. (SEE TABLE 1.)
- 3-MATERIAL IS POLYPROPYLENE

DELTA SYSTEMS, INC. DOES NOT ASSUME ANY LIABILITY ARISING OUT OF THE MISAPPLICATION OF ANY PRODUCT		DRAWN DRK	DATE 11/04/87	 DELTA SYSTEMS INC. STREETSBORO, OHIO 44241
		CHECKED BH	DATE 11/04/87	
COMPUTER GENERATED DRAWING - NO MANUAL CHANGES ALLOWED		MATERIAL SEE NOTE 3		TITLE CONNECTOR HOUSING
		FINISH FOR COLOR OPTIONS SEE TABLE 2		SIZE B
UNLESS OTHERWISE SPECIFIED DIMENSIONS ARE IN INCHES TOLERANCES ARE: .xx± .02 .xxx± .005 ANG± 1° DO NOT SCALE DRAWING		SCALE 2X		DWG. NO. 96526
		PROJECT NO. EX311		REV 1