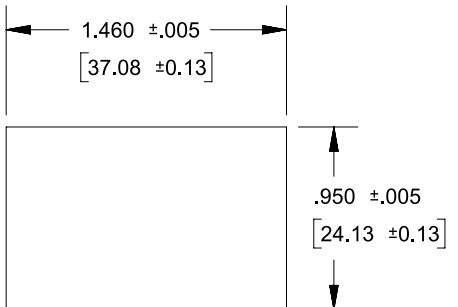


8 7 6 5 4 3 2 1

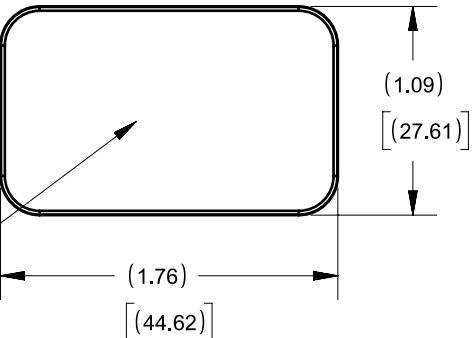
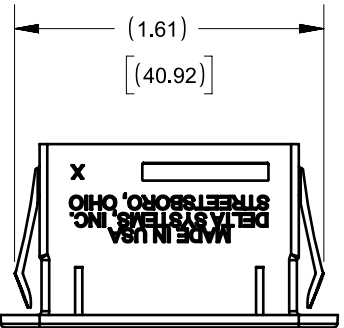
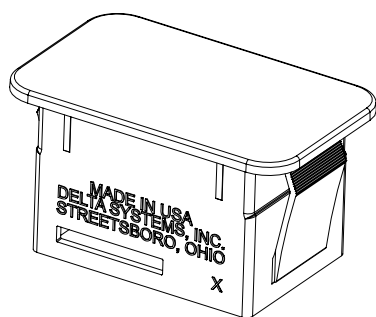
**REVISIONS**

REV.	DESCRIPTION	DATE	INIT
0	INITIAL RELEASE	02/28/24	PJC

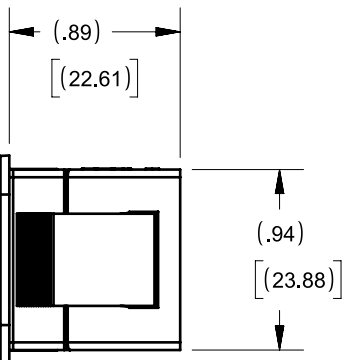
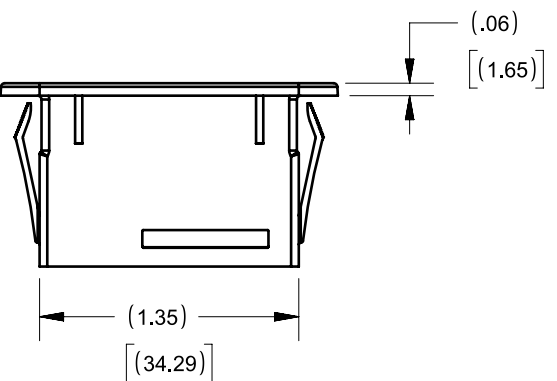
**RECOMMENDED MOUNTING HOLE**



TOTAL MOUNTING PANEL THICKNESS RANGE  
0.060-0.200" [1.52-5.08], SEE NOTE 3  
RECOMMENDED CUSTOMER PANEL SHOULD BE  
DESIGNED & MANUFACTURED SO THAT  
MOUNTING WINGS ENGAGE WITH A SQUARE EDGE



SEE NOTE 1



- NOTES**
- 1) FACE TEXTURE IS MOLD TECH 11030.
  - 2) MATERIAL IS BLACK POLYCARBONATE
  - 3) THICKNESS INCLUDES PAINT AND ANY OTHER COVERINGS APPLIED TO PANEL, OTHER PANEL THICKNESSES NOT RECOMMENDED,
  - 4) DIMENSIONS IN BRACKETS ARE IN MILLIMETERS.
  - 5) DIMENSIONS IN PARENTHESIS ARE REFERENCE DIMENSIONS.
  - 6) INTERPRET THIS DRAWING IN ACCORDANCE WITH ASME Y14.5-2009

PROPRIETARY & CONFIDENTIAL THE INFORMATION CONTAINED IN THIS DRAWING IS THE SOLE PROPERTY OF DELTA SYSTEMS. ANY REPRODUCTION IN PART OR AS A WHOLE WITHOUT THE WRITTEN PERMISSION OF DELTA SYSTEMS IS PROHIBITED.	UNLESS OTHERWISE SPECIFIED DIMENSIONS ARE IN INCHES TOLERANCES ARE: .X± .1 .XX± .02 .XXX± .005 X°± 1°	DRAWN pcolonna	DATE 28-Feb-2024	1734 FROST ROAD STREETSBORO, OHIO 44241 330-626-2811 WWW.DELTASYSTEMSINC.COM
		CHECKED rkawolics	DATE 28-Feb-2024	
APPROVED ikirbawy	DATE 28-Feb-2024	MATERIAL SEE NOTES	PROJECTED VIEWS ARE 3RD ANGLE 	
DELTA SYSTEMS INC. DOES NOT ASSUME ANY LIABILITY ARISING OUT OF THE MISAPPLICATION OF ANY PRODUCT	COMPUTER GENERATED DRAWING - NO MANUAL CHANGES ALLOWED	FINISH SEE NOTES	STATUS DS4_Design	TITLE HOUR-METER PLUG APP
		DO NOT SCALE DRAWING	SCALE NTS	SIZE B
		SHEET 1 OF 1	PROJECT NO. 387	DWG. NO. 74965_APP
		REVISION 0		

8 7 6 5 4 3 2 1