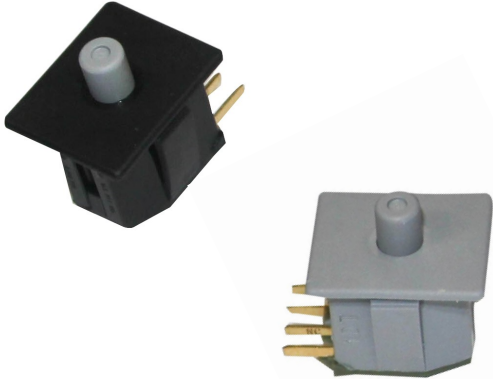


# SNAP MOUNT PLUNGER SWITCHES

## Model Series 6444



- Snap mount configurations
- Allows for quick installation
- One or two independent electrical poles
- Manufactured of corrosion and chemical resistant materials to extend switch life.
- RoHS, REACH and Conflict Mineral compliant

### OPERATION

Delta Systems' Plunger Switches are used to sense the position of mechanical linkages and controls. The patented wiping action switch contact prevents carbon buildup, keeping contact resistance low and extending switch life in rugged environments.

### ELECTRICAL SPECIFICATIONS

Cycles: Resistive: 75,000, Inductive: 10,000

Operating Voltage: Range: 12-14V<sub>DC</sub>

Operating Current: 3 Amps

Max. Pre-travel, inches : .155

Operating Temperature Range: -20 °F to 150 °F

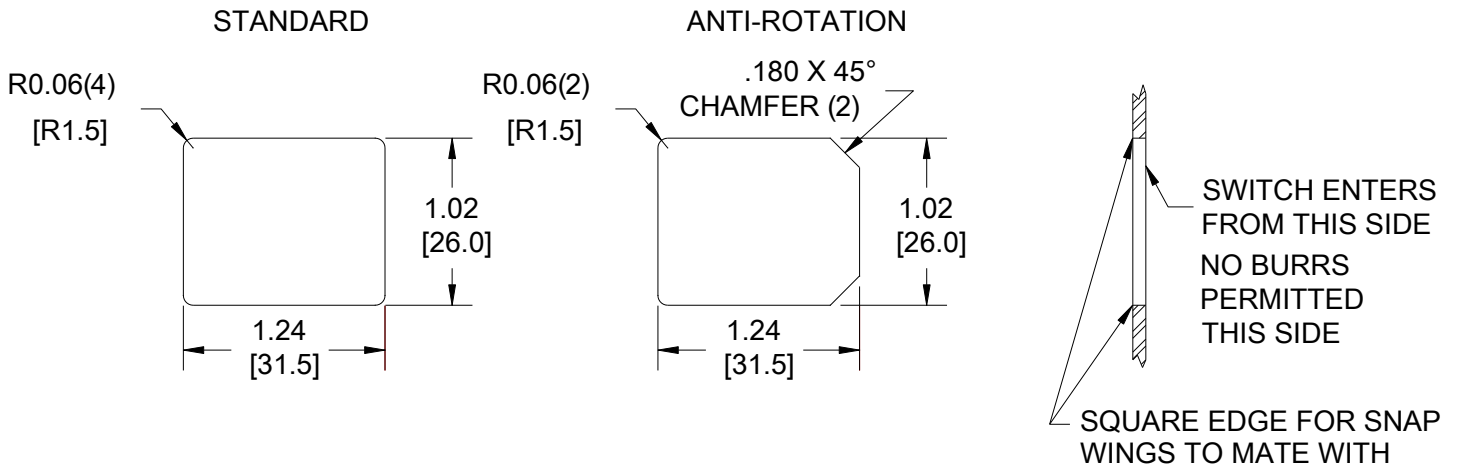
### ENVIRONMENTAL RATINGS

Exposure	Specification
Salt Fog	ASTM B117. 96 hours
Chemical Resistance	ASTM Ref C Fuel, Diesel Fuel, Oil, Antifreeze, Freon, Paint, Latex, Gasoline, Gas with 10% ethanol, WD-40, Battery Acid, Ammoniated Glass Cleaner, Kerosene, GOJO®, Fertilizer

## AVAILABLE CONFIGURATIONS

Part Number	Electrical Configuration	Mating Connector	UL File #
6444-02	NO/NO	Delta 96545, 96546	None
6444-03	NC/NC	Delta 96545, 96546	None
6444-53	NC/NO	Delta 96545, 96546	None
6444-53FR	NC/NO	Delta 96545, 96546	E319443
6444-602	NO/NO	Delta 96545, 96546	None
6444-603	NC/NC	Delta 96545, 96546	None
6444-653	NC/NO	Delta 96545, 96546	None
6444-683	NC/NC	Delta 96548-OL, 96549-OL	None
6444-82	NO/NO	Delta 96548-OL, 96549-OL	None
6444-83	NC/NC	Delta 96548-OL, 96549-OL	None
6444-84	NO/NC	Delta 96545, 96546	None

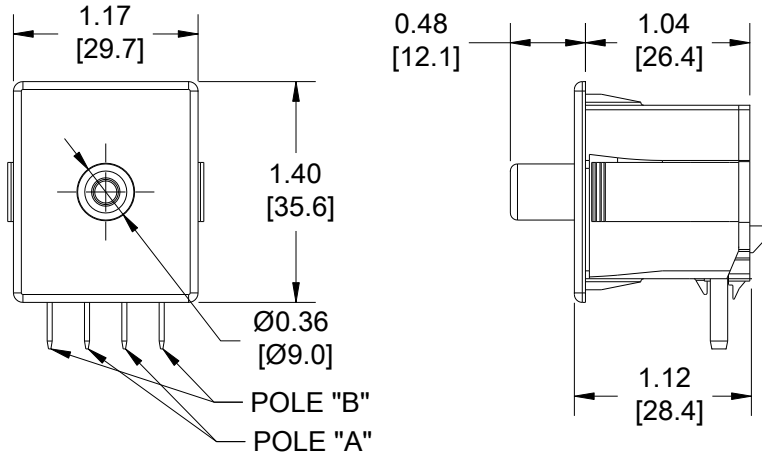
## MOUNTING



Designed for panel thicknesses up to .060, .085, and .105, including paint and other coverings applied to panel.

### DIMENSIONS

Note: For specific Part information please refer to the Application print.



### ACCESSORIES

Item #	Manufacturer	Description
96545(-BK/-GY)	Delta Systems	Connector Housing, Shorting
96546(-BK/-GY)	Delta Systems	Connector Housing, Non-Shorting
96549-OL	Delta Systems	Connector Housing, Shorting
12034046	Delphi	Terminal, 18-20 Gage Wire
12066214	Delphi	Terminal, 14-16 Gage Wire

Note: Life expectancy and switch performance are largely dependent on application. It is the user's responsibility to determine suitability of this product for the application. This information is intended as a guide for proper application.