

SEALED BOLT MOUNT PLUNGER SWITCHES

Model Series 6460/6470



- Sealed connector
- Mounting Type- Screw or bolt mount
- Easy to design into your application
- One or Two independent electrical circuits
- RoHS, REACH and Conflict Mineral compliant

OPERATION

Delta Systems' Plunger Switches are used to sense the position of mechanical linkages and controls. The patented wiping action switch contact prevents carbon buildup, keeping contact resistance low and extending switch life in rugged environments.

ELECTRICAL SPECIFICATIONS

Cycles: Resistive: 75,000, Inductive: 10,000

Operating Voltage: Range: 12-14V_{DC}

Operating Current: 3 Amps

Pre-travel, inches: .040-.150

Operating Temperature Range: -20 °F to 150 °F

ENVIRONMENTAL RATINGS

Exposure	Specification
Ingress Protection	IEC IP67
Salt Fog	ASTM B117. 96 hours
Chemical Resistance	ASTM Ref C Fuel, Diesel Fuel, Oil, Antifreeze, Freon, Paint, Latex, Gasoline, Gas with 10% ethanol, WD-40, Battery Acid, Ammoniated Glass Cleaner, Kerosene, GOJO® Fertilizer

SEALED BOLT MOUNT PLUNGER SWITCHES

Model Series 6460/6470

AVAILABLE CONFIGURATIONS

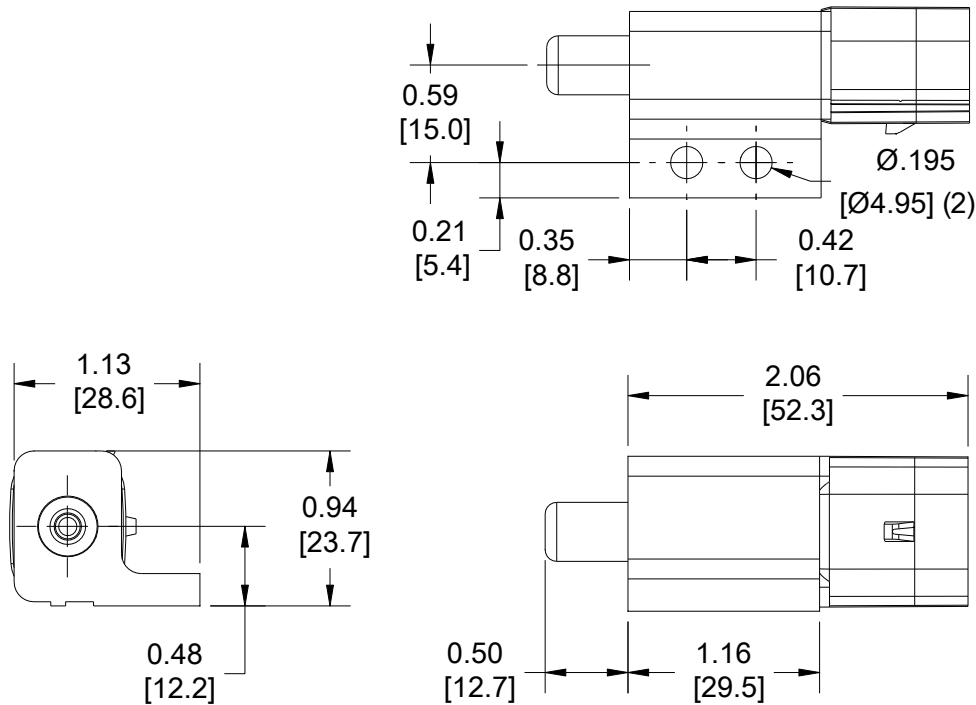
Bolt Mount Only

Product Line	Part Number	Electrical Configuration	Mounting Type	Mating Connector	Environmental Rating	IP67
Plungers - Sealed	6460-53	NO/NC	Bolt	Molex MX150 Series 33472-0801	Sealed Connector	No
Plungers - Sealed	6470-03	NC/NC	Bolt	Molex MX150 Series 33472-0801	Sealed Connector	Yes
Plungers - Sealed	6470-53	NO/NC	Bolt	Molex MX150 Series 33472-0801	Sealed Connector	Yes
Plungers - Sealed	6470-54	NO/NO	Bolt	Molex MX150 Series 33472-0801	Sealed Connector	Yes
Plungers - Sealed	6470-55	NO/NC	Bolt	Molex MX150 Series 33472-0801	Sealed Connector	Yes

DIMENSIONS

Note: For specific Part information please refer to the Application print.

6460 Series

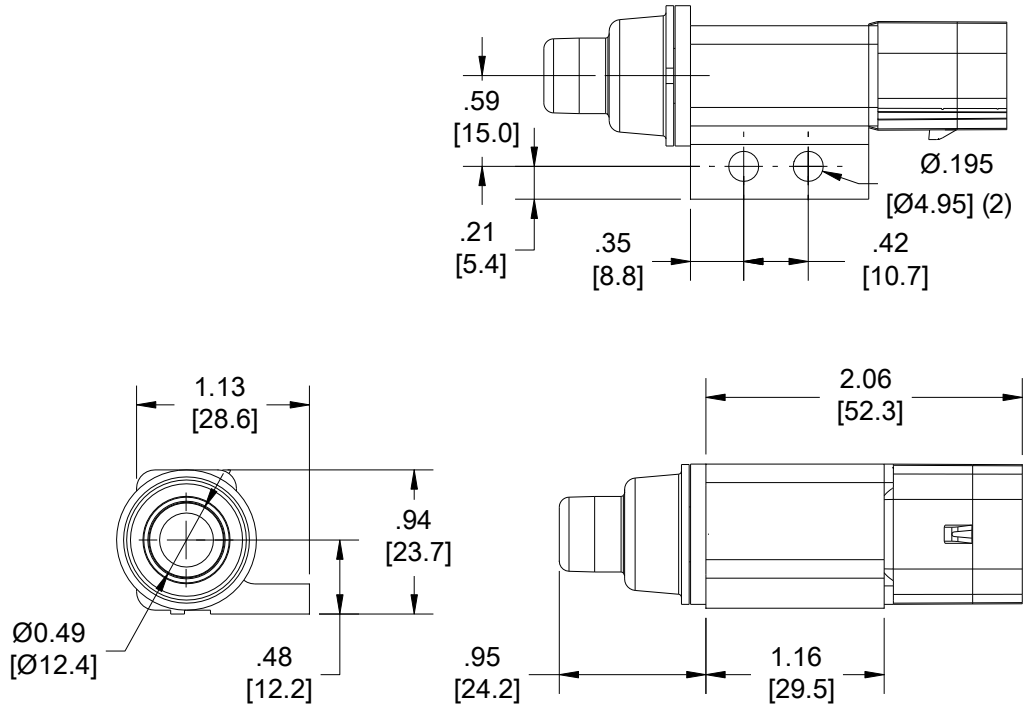


SEALED BOLT MOUNT PLUNGER SWITCHES

Model Series 6460/6470

DIMENSIONS

6470 Series



Note: Life expectancy and switch performance are largely dependent on application. It is the user's responsibility to determine suitability of this product for the application. This information is intended as a guide for proper application.