

BOLT MOUNT SEAT SWITCHES

Model Series 6520/6522



- One or two independent electrical poles
- Easy bolt mounting style
- RoHS, REACH and Conflict Mineral compliant

OPERATION

Delta's seat switches are utilized to sense operator presence. When a seated operator compresses the seat foam, the switch is actuated. Seat safety switches are easy to integrate into your application and designed to last in harsh surroundings. Typical applications include construction equipment, material handling equipment, outdoor power equipment, forklifts, rental equipment, agricultural equipment, ATVs, UTVs and other applications where operator presence detection is necessary

ELECTRICAL SPECIFICATION

Property		Rating
Maximum Voltage, VDC		18
Maximum Current @ 12-14 VDC, A		3
Pre-travel, inches		.040-.150
Contact Resistance @ Max Current, mΩ		83.3
Cycle Life @ Max Load	Inductive	10,000
	Resistive	75,000
Operating/Storage Temperature, °F		-20 to +100

ENVIRONMENTAL RATINGS

Exposure	Specification
Salt Fog	ASTM B117. 96 hours
Chemical Resistance	ASTM Ref C Fuel, Diesel Fuel, Oil, Antifreeze, Freon, Paint, Latex, Gasoline, Gas with 10% ethanol, WD-40, Battery Acid, Ammoniated Glass Cleaner, Kerosene, GOJO®, Fertilizer

AVAILABLE CONFIGURATIONS

Product Line	Part number	Electrical Configuration	Mounting Style	Actuation Force	Connector
Plungers - Seat	6520	NO	Bolt Mount	4.0 ± 2.0 @ .300"	Delta 96525 or 96526
Plungers - Seat	6520-01FR*	NO	Bolt Mount	4.0 ± 2.0 @ .300"	Delta 96525 or 96526
Plungers - Seat	6520-51	NC	Bolt Mount	4.0 ± 2.0 @ .300"	Delta 96525 or 96526
Plungers - Seat	6520-60**	NO	Bolt Mount	6.0 ± 2.0 @ .300"	Delta 96525 or 96526
Plungers - Seat	6520-604	NO	Bolt Mount	4.9 ± 1.0 @ .250"	Delta 96525 or 96526
Plungers - Seat	6520-61	NC	Bolt mount	6.0 ± 2.0 @ .300"	Delta 96525 or 96526
Plungers - Seat	6520-62**	NO	Bolt Mount	6.0 ± 2.0 @ .300"	Delta 96525 or 96526
Plungers - Seat	6520-98	NO	Bolt Mount	4.0 ± 2.0 @ .250"	Delta 96525 or 96526
Plungers - Seat	6522-02	NO\NO	Bolt Mount	2.5 ± 1.0 @ .250"	Delta 96545 or 96546
Plungers - Seat	6522-03	NC\NC	Bolt Mount	2.5 ± 1.0 @ .250"	Delta 96545 or 96546
Plungers - Seat	6522-53	NC\NO	Bolt Mount	2.5 ± 1.0 @ .250"	Delta 96545 or 96546
Plungers - Seat	6522-683	NC\NC	Bolt Mount	6.0 ± 2.0 @ .300"	Delta 96548-OL or 96549-OL

* UL Recognized Component to UL583 (Listing # AU3028)

** Splash-proof switches have an elastomer boot covering the opening to the switch at the plunger and encapsulating material around the terminals on the switch body

CONNECTION

6520 series switches connect to Delta P/N 96525 or 96526 (see Accessories section). Insertion force is up to 20 lbs. Delta connectors use Delphi terminals. 6522 series switches connect to Delta P/N's 96545 or 96546 (see Accessories section). Connection effort is 10 to 22 lbs. Delta connectors use Delphi terminals.

MOUNTING

Switches mount with two fasteners through clearance holes in the frame

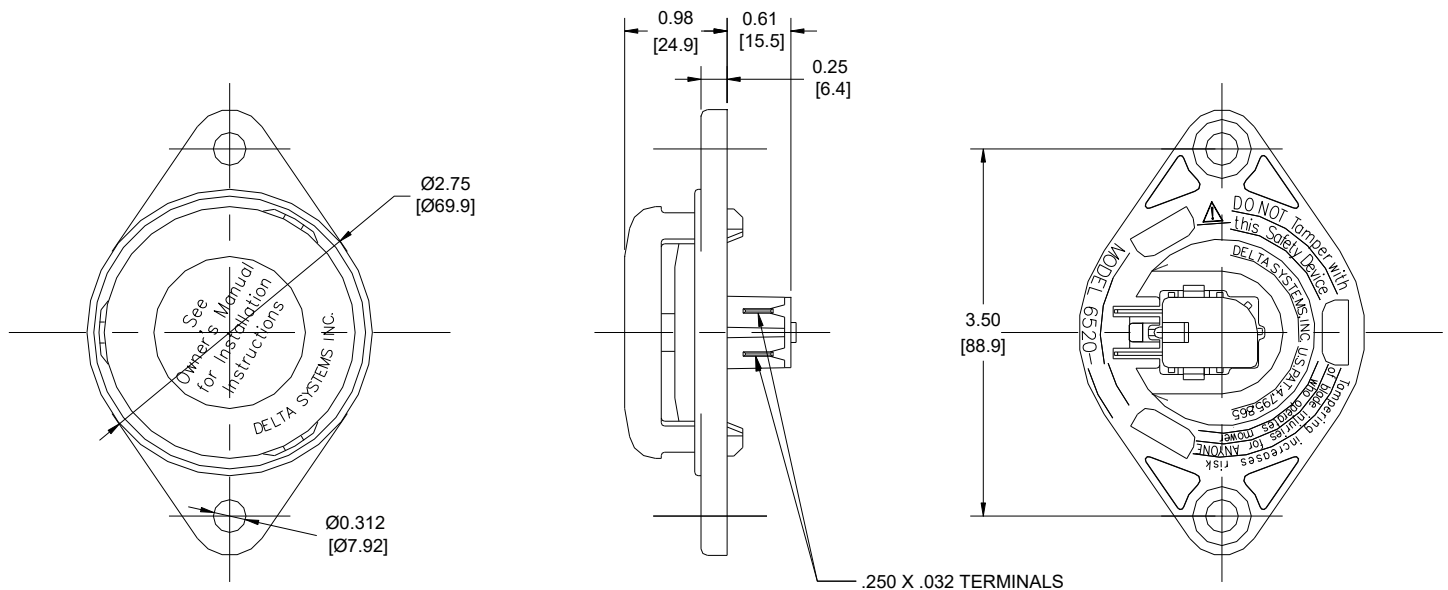
ACCESSORIES

Item #	Manufacturer	Description
96545(-BK/-GY)	Delta Systems	Connector Housing, Shorting
96546(-BK/-GY)	Delta Systems	Connector Housing, Non-Shorting
12034046	Delphi	Terminal, 18-20 Gage Wire
12066214	Delphi	Terminal, 14-16 Gage Wire
96525-GY	Delta Systems	Connector Housing, Shorting
96526(-GY/-OL)	Delta Systems	Connector Housing, Non-Shorting
96526A	Delta Systems	Connector Housing, Non-Shorting
12124517	Delphi	Terminal, 18-20 Gage Wire
12124513	Delphi	Terminal, 14-16 Gage Wire

DIMENSIONS

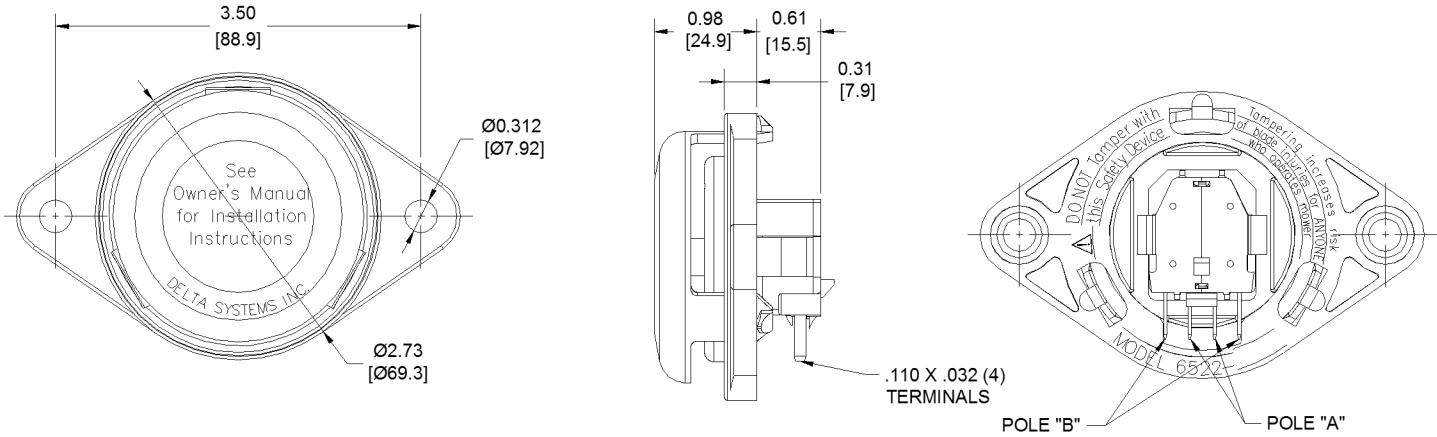
Note: For specific Part information please refer to the Application print.

6520 Series



DIMENSIONS

6522 Series



Note: Life expectancy and switch performance are largely dependent on application. It is the user's responsibility to determine suitability of this product for the application. This information is intended as a guide for proper application.