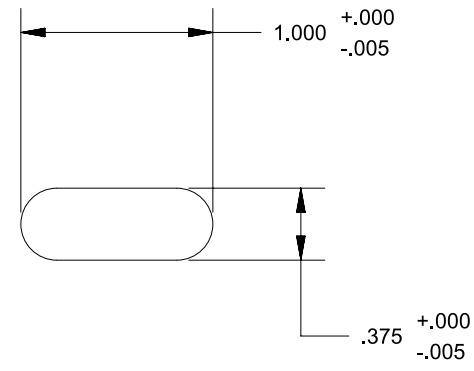
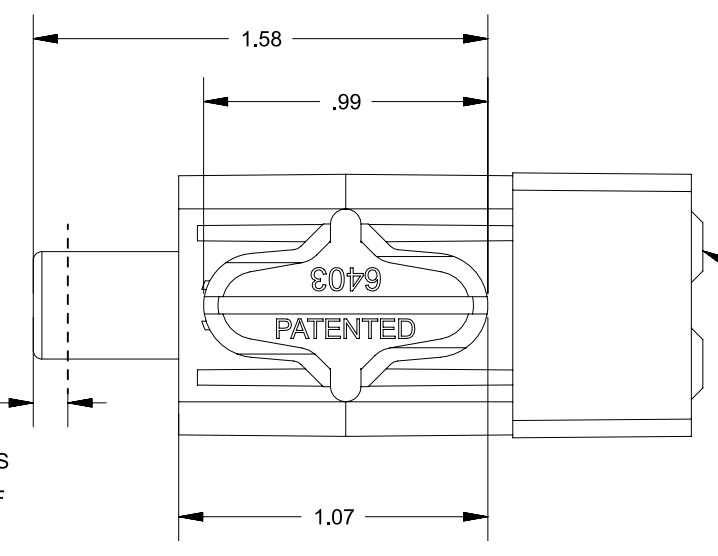
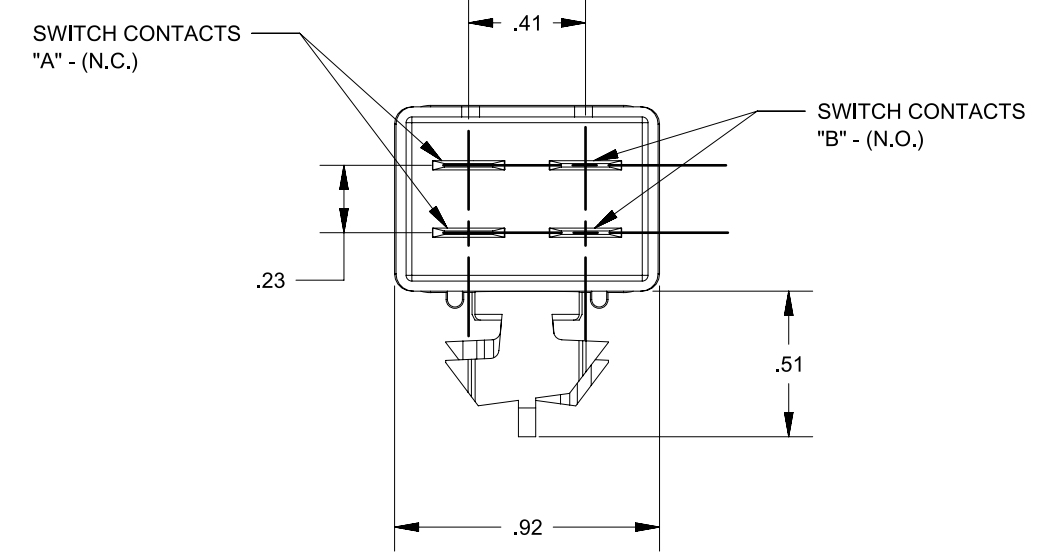
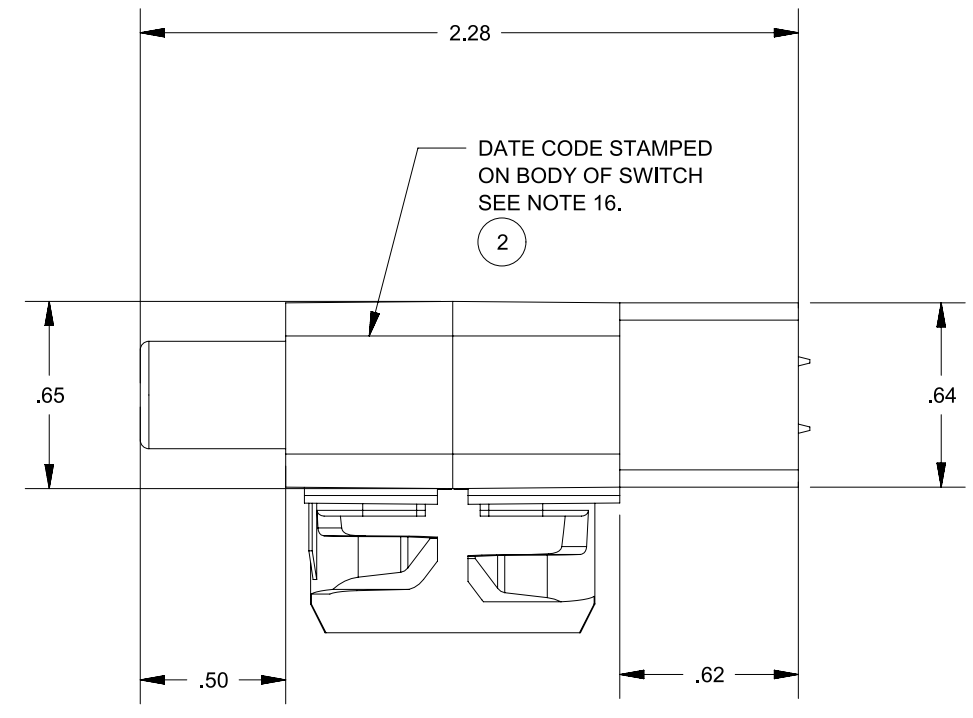
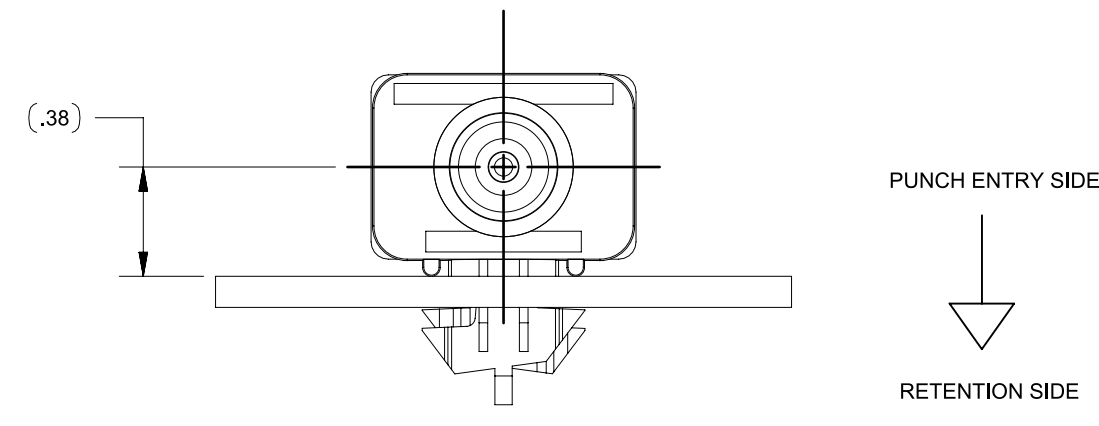
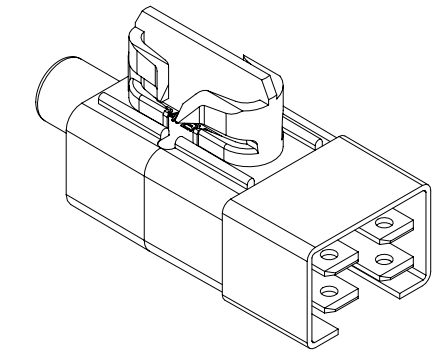
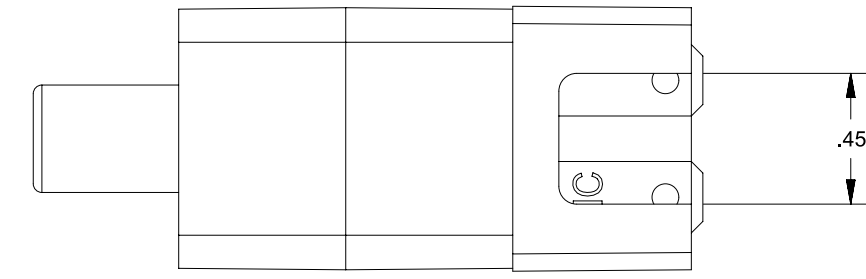


REVISIONS			
REV.	DESCRIPTION	DATE	INIT
0	INITIAL RELEASE	7/13/2018	BSW
1	ADD ACETAL NOTE 3. ADD MAX TRVL NOTE, SWITCH REV TO 1, ECO 953	08/24/2018	BSW
2	UPDATED NOTES	6/27/2019	BJK



RECOMMENDED MOUNTING SLOT. SWITCH WILL ACCEPT .108 AND .170 PANEL THICKNESSES INCLUDING PAINT, DECALS, ETC.
 *SQUARE EDGE REQUIRED ON WING RETENTION SIDE OF SLOT



4X MALE TERMINALS .250 X .032 MATE WITH DELPHI 56 SERIES FEMALE (NOTE 14) with a circled 2.

- NOTES:
- 1) INTERPRET THIS DRAWING IN ACCORDANCE WITH ASME Y14.5-2009.
 - 2) IN COMPLIANCE WITH DIRECTIVE 2011/65/EU OF THE EUROPEAN PARLIAMENT AND THE COUNCIL OF 8 JUNE 2011 ON THE RESTRICTION OF THE USE OF CERTAIN HAZARDOUS SUBSTANCES IN ELECTRICAL AND ELECTRONIC EQUIPMENT (ROHS DIRECTIVE).
 - 3) LIFE EXPECTANCY AND SWITCH PERFORMANCE ARE LARGELY DEPENDENT ON APPLICATION. IT IS THE USER'S RESPONSIBILITY TO DETERMINE SUITABILITY OF THIS PRODUCT FOR THE APPLICATION. THIS INFORMATION IS INTENDED AS A GUIDE FOR PROPER APPLICATION.
 - 4) ELECTRICAL RATING: 3A @ 12-14VDC
 - 5) ELECTRICAL LIFE AT RATED LOAD: 10K CYCLES INDUCTIVE, 75K CYCLES RESISTIVE
 - 6) MECHANICAL LIFE: 100K CYCLES
 - 7) OPERATING TEMPERATURE: -30°C TO 65°C
 - 8) IP67 RATED
 - 9) "NC" STAMPED ON ALL NORMALLY CLOSED TERMINALS
 - 10) "NC" POLE BREAKS CONTACT BEFORE THE "NO" POLE MAKES CONTACT
 - 11) OPERATING FORCE: 8.5 LBS +/- 1.0 LBS AT .400 TRAVEL
 - 12) 4X .250 X .032 MALE SPADE TERMINALS, MATES WITH APTIV 56 SERIES FEMALE CONNECTOR
 - 13) HOUSING PARTS ARE POLYPROPYLENE. PLUNGER IS ACETAL. HOUSING SEAL IS TPE.
 - 14) TERMINALS ARE NICKEL PLATED
 - 15) TERMINALS ARE SEALED WITH CLEAR UV EPOXY
 - 16) DATE CODE INDICATING YEAR, MONTH AND DAY OF MONTH MANUFACTURED STAMPED ON HOUSING.

PROPRIETARY & CONFIDENTIAL THE INFORMATION CONTAINED IN THIS DRAWING IS THE SOLE PROPERTY OF DELTA SYSTEMS. ANY REPRODUCTION IN PART OR AS A WHOLE WITHOUT THE WRITTEN PERMISSION OF DELTA SYSTEMS IS PROHIBITED.	UNLESS OTHERWISE SPECIFIED DIMENSIONS ARE IN INCHES TOLERANCES ARE: .X ± .1 .XX ± .02 .XXX ± .005 X° ± 1	DRAWN bwetrich	DATE 12-Jul-2018	1734 FROST ROAD STREETSBORO, OHIO 44241 330-626-2811 WWW.DELTASYSTEMSINC.COM
		CHECKED bkrall	DATE 13-Jul-2018	
DELTA SYSTEMS INC. DOES NOT ASSUME ANY LIABILITY ARISING OUT OF THE MISAPPLICATION OF ANY PRODUCT	COMPUTER GENERATED DRAWING - NO MANUAL CHANGES ALLOWED	APPROVED ikirbawy	DATE 18-Jul-2018	TITLE NC/NO PLUNGER SWITCH D.P.S.T. SEALED
		MATERIAL -	PROJECTED VIEWS ARE 3RD ANGLE	
DO NOT SCALE DRAWING		FINISH -		SIZE C
		STATUS DS4_Design	SCALE NTS	DWG. NO. 6403-84_APP
		SHEET 1 OF 1	PROJECT NO. 053	REVISION 2