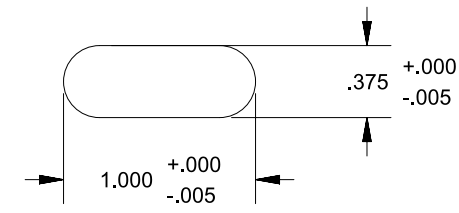
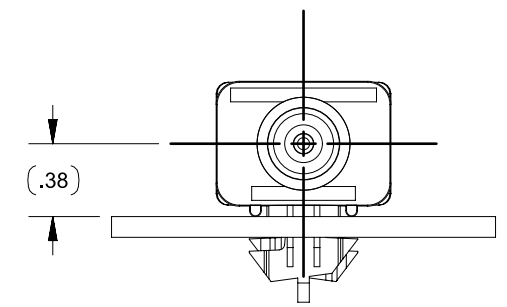
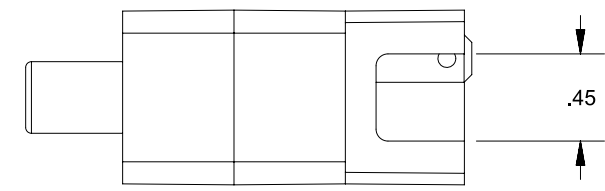


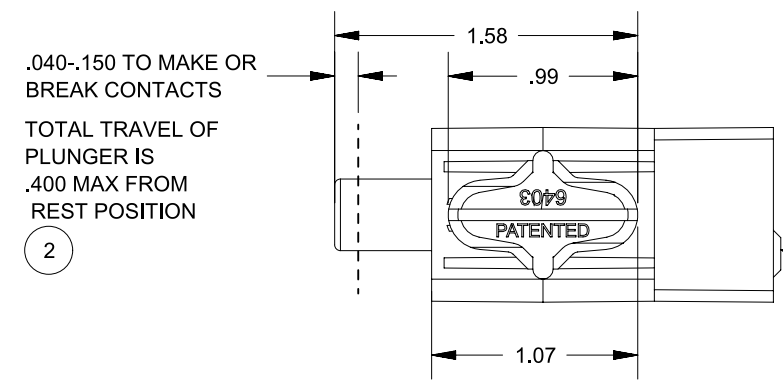
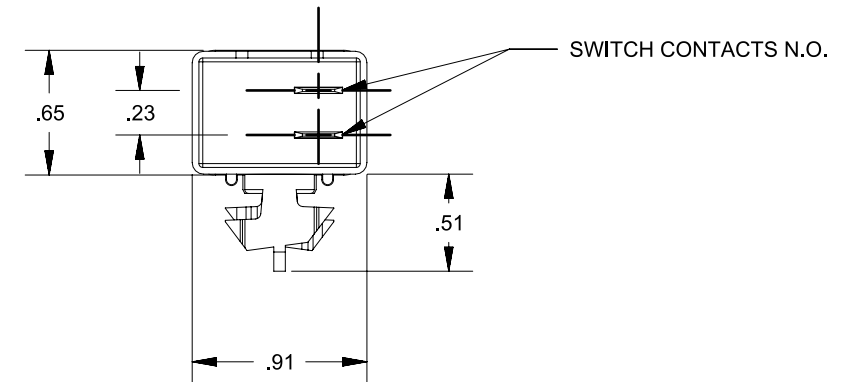
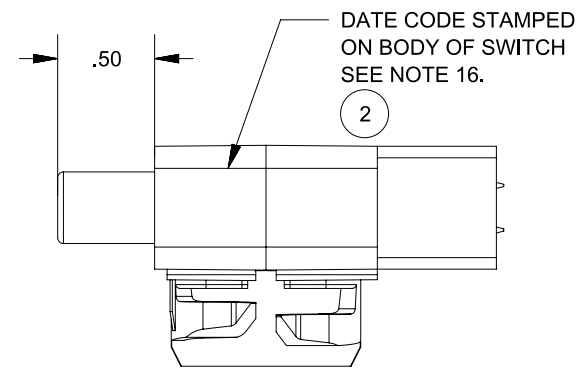
REVISIONS			
REV.	DESCRIPTION	DATE	INIT
0	INITIAL RELEASE	07/13/2018	BSW
1	FIX PANEL NOTE, ADD ACETAL TO NOTE 3, ADD MAX TRVL NOTE, ADD NOTES 7 AND 8, UPDATE SWITCH TO REV 1. ECO 953	08/24/2018	BSW
2	NOTES UPDATED	6/27/2019	BJK



RECOMMENDED MOUNTING SLOT. SWITCH WILL ACCEPT 0.108" AND 0.170" PANEL THICKNESSES INCLUDING PAINT, DECALS, ETC.  
\*SQUARE EDGE REQUIRED ON WING RETENTION SIDE OF SLOT



PUNCH ENTRY SIDE  
RETENTION SIDE



2X MALE TERMINALS .250 X .032 MATE WITH DELPHI 56 SERIES FEMALE (NOTE 14)

- NOTES:
- 1) INTERPRET THIS DRAWING IN ACCORDANCE WITH ASME Y14.5-2009.
  - 2) IN COMPLIANCE WITH DIRECTIVE 2011/65/EU OF THE EUROPEAN PARLIAMENT AND THE COUNCIL OF 8 JUNE 2011 ON THE RESTRICTION OF THE USE OF CERTAIN HAZARDOUS SUBSTANCES IN ELECTRICAL AND ELECTRONIC EQUIPMENT (ROHS DIRECTIVE).
  - 3) LIFE EXPECTANCY AND SWITCH PERFORMANCE ARE LARGELY DEPENDENT ON APPLICATION. IT IS THE USER'S RESPONSIBILITY TO DETERMINE SUITABILITY OF THIS PRODUCT FOR THE APPLICATION. THIS INFORMATION IS INTENDED AS A GUIDE FOR PROPER APPLICATION.
  - 4) ELECTRICAL RATING: 3A @ 12-14VDC
  - 5) ELECTRICAL LIFE AT RATED LOAD: 10K CYCLES INDUCTIVE, 75K CYCLES RESISTIVE
  - 6) MECHANICAL LIFE: 100K CYCLES
  - 7) OPERATING TEMPERATURE: -30°C TO 65°C
  - 8) IP67 RATED
  - 9) "NC" STAMPED ON ALL NORMALLY CLOSED TERMINALS
  - 10) "NC" POLE BREAKS CONTACT BEFORE THE "NO" POLE MAKES CONTACT
  - 11) OPERATING FORCE: 8.5 LBS +/-1.0 LBS AT .400 TRAVEL
  - 12) 4X .250 X .032 MALE SPADE TERMINALS, MATES WITH APTIV 56 SERIES FEMALE CONNECTOR
  - 13) HOUSING PARTS ARE POLYPROPYLENE. PLUNGER IS ACETAL. HOUSING SEAL IS TPE.
  - 14) TERMINALS ARE NICKEL PLATED
  - 15) TERMINALS ARE SEALED WITH CLEAR UV EPOXY
  - 16) DATE CODE INDICATING YEAR, MONTH AND DAY OF MONTH MANUFACTURED STAMPED ON HOUSING.

PROPRIETARY & CONFIDENTIAL THE INFORMATION CONTAINED IN THIS DRAWING IS THE SOLE PROPERTY OF DELTA SYSTEMS. ANY REPRODUCTION IN PART OR AS A WHOLE WITHOUT THE WRITTEN PERMISSION OF DELTA SYSTEMS IS PROHIBITED.	UNLESS OTHERWISE SPECIFIED DIMENSIONS ARE IN INCHES TOLERANCES ARE: .X± .1 .XX± .02 .XXX± .005 X°± 1°	DRAWN bwetrich	DATE 11-Jul-2018	1734 FROST ROAD STREETSBORO, OHIO 44241 330-626-2811 WWW.DELTASYSTEMSINC.COM				
		CHECKED bkral	DATE 13-Jul-2018					
DELTA SYSTEMS INC. DOES NOT ASSUME ANY LIABILITY ARISING OUT OF THE MISAPPLICATION OF ANY PRODUCT	COMPUTER GENERATED DRAWING - NO MANUAL CHANGES ALLOWED	APPROVED ikirbawy	DATE 19-Jul-2018	TITLE NO PLUNGER SWITCH S.P.S.T. SEALED				
		MATERIAL -	PROJECTED VIEWS ARE 3RD ANGLE					
		FINISH -	DO NOT SCALE DRAWING	STATUS DS4_Design	SIZE B	DWG. NO. 6403-82_APP	SCALE NTS	SHEET 1 OF 1