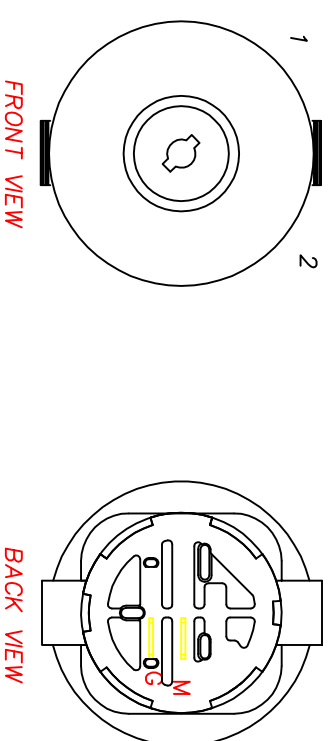
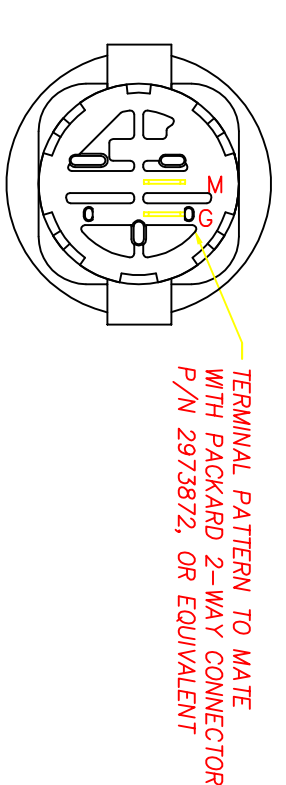
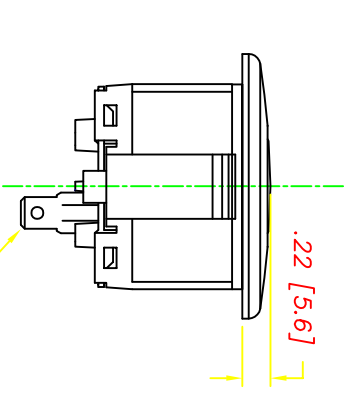
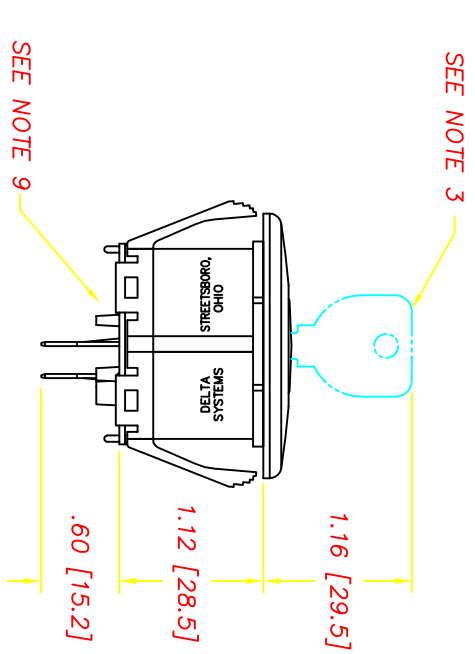
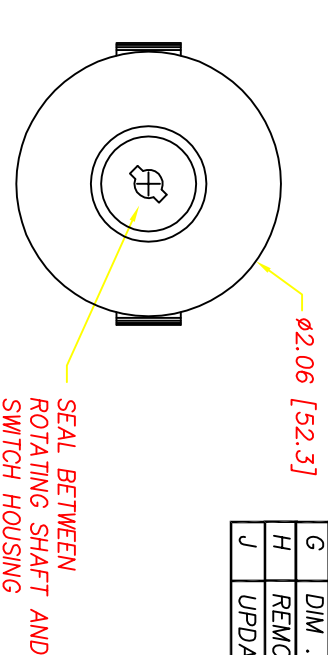
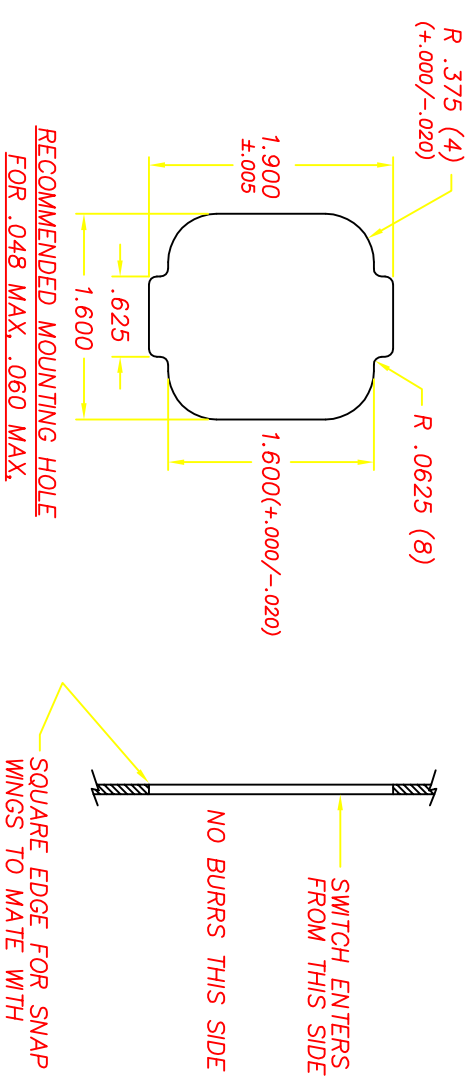


REVISIONS			
A	REVISED BACK COVER, CR 1018	08/15/97	TW
B	REVISED BACK COVER, CR 1046	9/17/97	JH
C	ADDED CONNECTOR STOP, CR1215	12/11/98	JH
D	REM'D CORE IN BACKCOVER, CR 1306	06/04/99	JH
E	UPDATED NOTE, MATERIAL IS BRONZE	07/13/99	ML
F	DEFINED CRITICAL CHARACTERISTICS	05/08/00	JH
G	DIM .60 [15.2] & .22 [5.6], CN0553	09/05/02	JG
H	REMOVE CRITICAL DIM., CR 1477	06/02/03	JH
J	UPDATE MATERIAL CR1938	01/03/11	ERB



POSITION	ROTATION	FUNCTION	CONTACT
1	0°	OFF	G+M
2	90°	ON	OPEN



NOTES

- 1-DIM'S IN BRACKET [] ARE IN MILLIMETERS; MILLIMETER TOLERANCES ARE .XX ± .5, .XX± .15.
- 2-PLASTIC PARTS ARE POLYPROPYLENE (BLACK). TERMINALS ARE BRONZE.
- 3-KEY IS SHIPPED SEPARATELY. MAXIMUM TORQUE FOR KEY IS 20 IN LBS. USE DELTA KEY ONLY. DELTA STEEL KEY PART# 688S-STD.
- 4-SWITCH STYLE STAMPED ON HOUSING.
- 5-DATE CODE INDICATING YEAR, MONTH, AND DAY OF MONTH MANUFACTURED STAMPED ON HOUSING.
- 6-SWITCH ELECTRICAL FUNCTIONALITY TESTED AFTER ASSEMBLY.
- 7-ELECTRICAL RATING, CONTINUOUS: 20A @ 12-14 VDC. ELECTRICAL LIFE: 5K CYCLES @ 10 AMPS INDUCTIVE; 10K CYCLES @ 5 AMPS INDUCTIVE; 50K CYCLES @ 5 AMPS RESISTIVE.
- 8-THIS PRODUCT COVERED BY U.S. PATENT NO. 5252791
- 9-PULL FORCE TO DISLOCATE BACK COVER IS 80 LBS. MINIMUM.

DELTA SYSTEMS, INC. DOES NOT ASSUME ANY LIABILITY ARISING OUT OF THE MISAPPLICATION OF ANY PRODUCT		UNLESS OTHERWISE SPECIFIED DIMENSIONS ARE IN INCHES TOLERANCES ARE: FRACTIONAL DECIMAL ANGLES	
DRAWN: DMR CHECKED: TW DATE: 06/25/97 DATE: 07/10/97	DATE: 06/25/97 DATE: 07/10/97	FINISH: SEE NOTE 2	SEE NOTE 2
COMPUTER GENERATED DRAWING - NO MANUAL CHANGES ALLOWED		DO NOT SCALE DRAWING	
DELTA SYSTEMS INC. STREETSBORO, OHIO 44241		TITLE: LAWN & GARDEN IGNITION SWITCH	SCALE: FULL
PROJECT NO. 6900-21		REV. J	