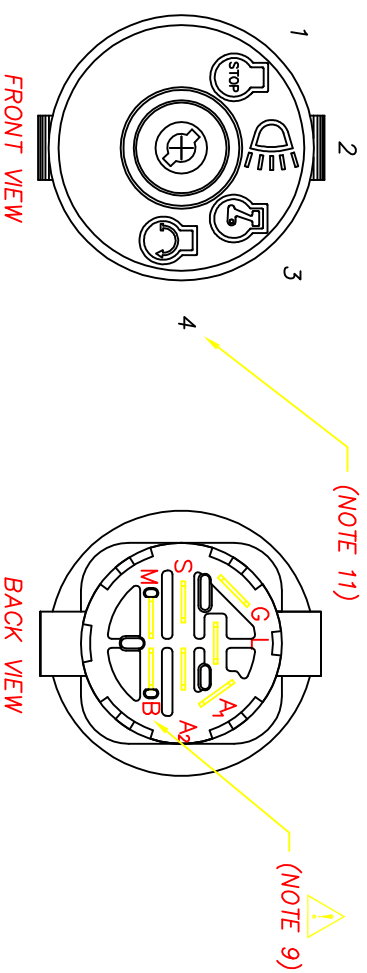
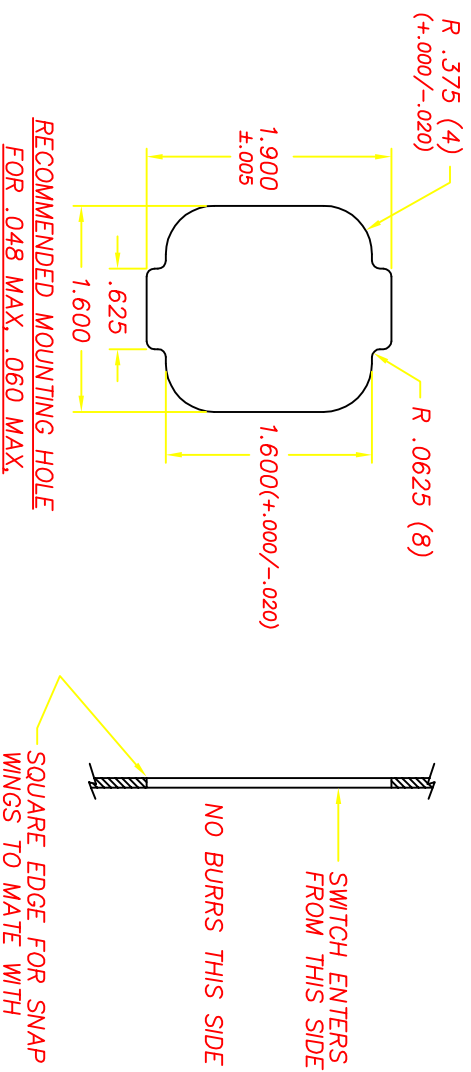


REVISIONS			
~	INITIAL RELEASE, CR 1294	7/19/99	ML
A	DEFINED CRITICAL CHARACTERISTICS	05/08/00	JH
B	BACK COVER COLOR CHANGE, 1384	09/11/00	JH
C	REMOVE CRITICAL DIM, CR 1477	06/02/03	JH
D	UPDATE MATERIAL CR1938	01/03/11	ERB
E	.22 WAS .220	09/04/13	IDK



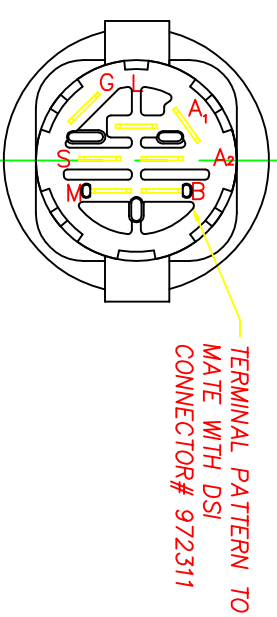
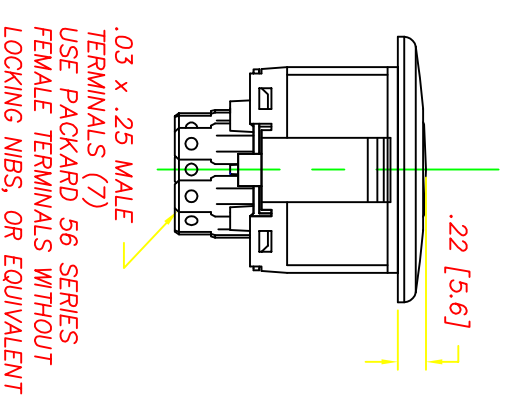
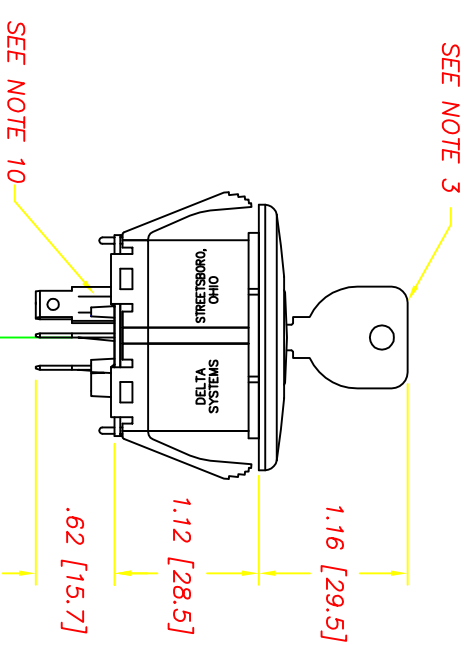
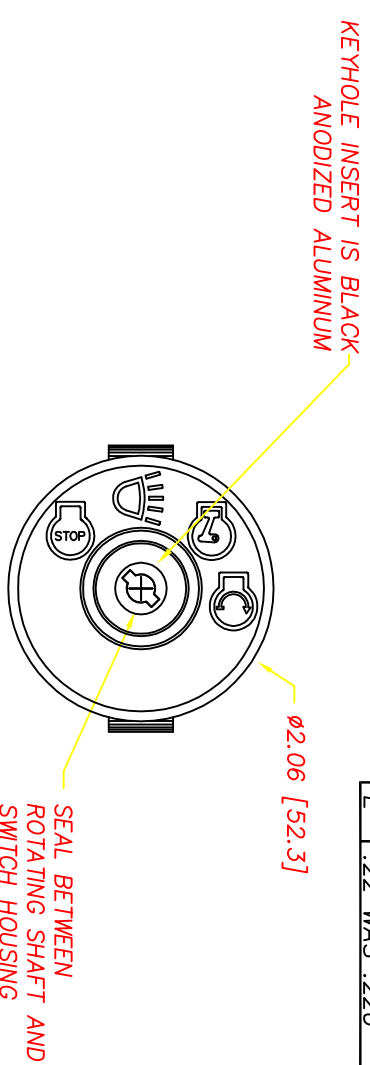
POSITION	ROTATION	FUNCTION	CONTACT 1	CONTACT 2
1	0°	OFF	M+G+A <sub>1</sub>	~
2	45°	RUN1	B+A <sub>1</sub>	L+A <sub>2</sub>
3	95°	RUN2	B+A <sub>1</sub>	~
4	135°	START	B+S+A <sub>1</sub>	~



**RECOMMENDED MOUNTING HOLE**  
 FOR .048 MAX. .060 MAX.  
 .105 MAX. .165 MAX PANELS  
 (THICKNESS INCLUDES PAINT AND ANY  
 OTHER COVERINGS APPLIED TO PANEL.  
 OTHER PANEL THICKNESSES NOT RECOMMENDED)

### NOTES

- 1-DIM.'S IN BRACKET [ ] ARE IN MILLIMETERS; MILLIMETER TOLERANCES ARE .XX ±.5, .XX±.15.
- 2-PLASTIC PARTS ARE POLYPROPYLENE (BLACK HOUSING, GRAY BACK COVER). TERMINALS ARE BRONZE. GRAPHICS ARE PAD PRINTED WHITE.
- 3-KEY IS SHIPPED SEPARATELY. MAXIMUM TORQUE FOR KEY IS 20 IN LBS.
- 4-SWITCH STYLE STAMPED ON HOUSING.
- 5-DATE CODE INDICATING YEAR, MONTH, AND DAY OF MONTH MANUFACTURED STAMPED ON HOUSING.
- 6-SWITCH ELECTRICAL FUNCTIONALITY TESTED AFTER ASSEMBLY.
- 7-ELECTRICAL RATING, CONTINUOUS: 20A @ 12-14 VDC.  
 ELECTRICAL LIFE: 5K CYCLES @ 10 AMPS INDUCTIVE.  
 10K CYCLES @ 5 AMPS INDUCTIVE.  
 50K CYCLES @ 5 AMPS RESISTIVE.
- 8-THIS PRODUCT COVERED BY U.S. PATENT NO. 5252791  
 OTHER PATENTS APPLIED FOR
- 9-SWITCH SHOULD NEVER BE MOUNTED IN PANEL WITH THE "B" TERMINAL DIRECTLY ABOVE THE "G" TERMINAL, RELATIVE TO GRAVITY.
- 10-PULL FORCE TO DISLOCATE BACK COVER IS 80 LBS. MINIMUM.
- 11-POSITION 4 IS MOMENTARY.
- 12-ALL OTHER CONTACT COMBINATIONS ARE NOT ALLOWED.



DELTA SYSTEMS, INC. DOES NOT ASSUME ANY LIABILITY ARISING OUT OF THE MISAPPLICATION OF ANY PRODUCT		UNLESS OTHERWISE SPECIFIED DIMENSIONS ARE IN INCHES TOLERANCES ARE:	
DRAWN: DMR CHECKED: ML DATE: 7/19/99	DATE: 7/19/99	FINISH: SEE NOTE 2	DO NOT SCALE DRAWING
COMPUTER GENERATED DRAWING - NO MANUAL CHANGES ALLOWED		.XX±.02 .XXX±.005 ANGE. 1°	
DELTA SYSTEMS INC. STREETSBORO, OHIO 44241		TITLE: LAWN&GARDEN IGNITION SWITCH WITH PAD PRINTED GRAPHICS SIZE: C SCALE: FULL DWG. NO.: 6901-47P PROJECT NO.: EX338 REV: E	