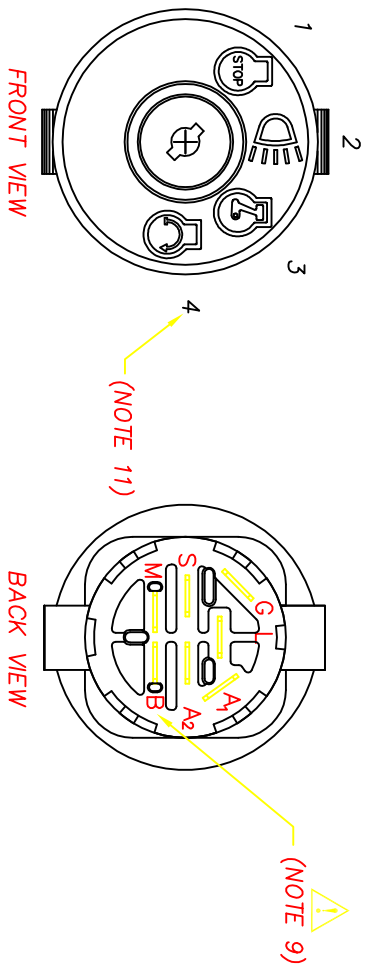
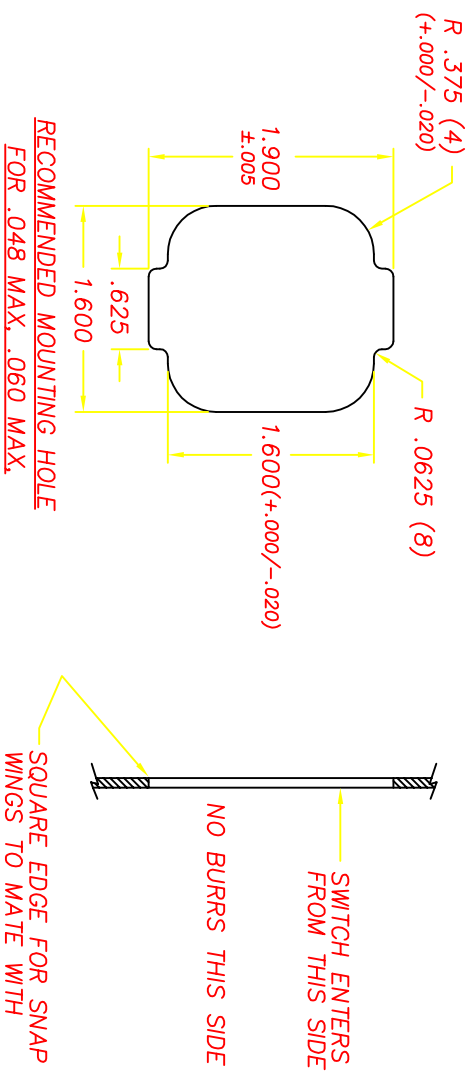


REVISIONS			
C	ADDED CONNECTOR STOP, CR1215	12/4/98	JH
D	REMD CORE IN BACKCOVER, CR 1306	06/04/99	JH
E	UPDATED NOTE, MATERIAL IS BRONZE	7/13/99	ML
F	UPDATED GRAPHICS, CR1294	7/20/99	ML
G	DEFINED CRITICAL CHARACTERISTICS	05/08/00	JH
H	BACK COVER COLOR CHANGE, CR1384	09/11/00	JH
J	DIM .60 [15.2] & .22 [5.6], CN0553	09/05/02	JG
K	REMOVE CRITICAL DIM., CR 1477	06/02/03	JH
L	UPDATE MATERIAL CR1938	01/03/11	ERB



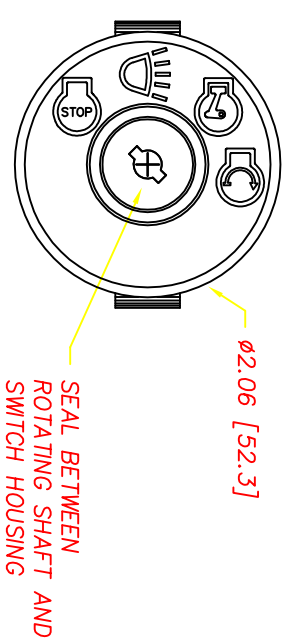
POSITION	ROTATION	FUNCTION	CONTACT 1	CONTACT 2
1	0°	OFF	M+G+A <sub>1</sub>	~
2	45°	RUN1	B+A <sub>1</sub>	L+A <sub>2</sub>
3	95°	RUN2	B+A <sub>1</sub>	~
4	135°	START	B+S+A <sub>1</sub>	~



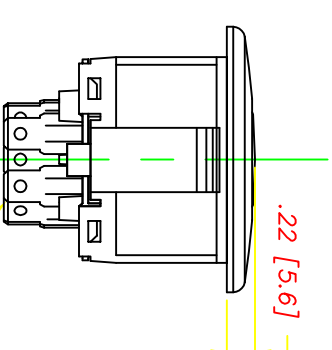
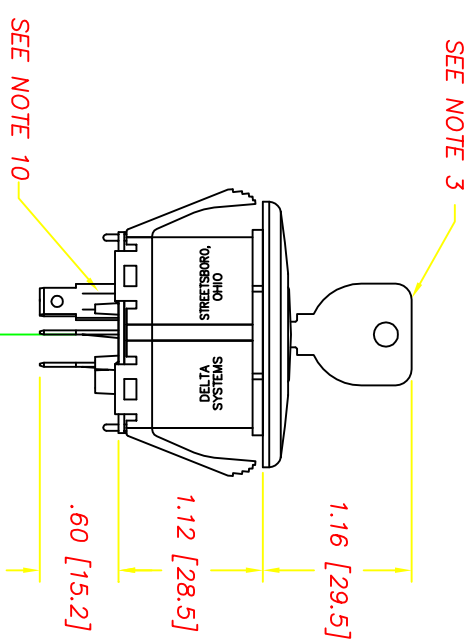
**RECOMMENDED MOUNTING HOLE FOR .048 MAX. .060 MAX. .105 MAX. .165 MAX PANELS**  
(THICKNESS INCLUDES PAINT AND ANY OTHER COVERINGS APPLIED TO PANEL. OTHER PANEL THICKNESSES NOT RECOMMENDED)

**NOTES**

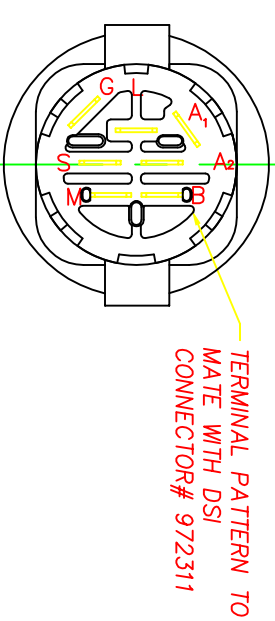
- 1-DIM.'S IN BRACKET [ ] ARE IN MILLIMETERS; MILLIMETER TOLERANCES ARE .XX ± .5, .XXX ± .15.
- 2-PLASTIC PARTS ARE POLYPROPYLENE (BLACK HOUSING, GRAY BACK COVER). TERMINALS ARE BRONZE.
- 3-KEY IS SHIPPED SEPARATELY. MAXIMUM TORQUE FOR KEY IS 20 IN LBS.
- USE DELTA KEY ONLY. DELTA STEEL KEY PART# 688S-STD.
- 4-SWITCH STYLE STAMPED ON HOUSING.
- 5-DATE CODE INDICATING YEAR, MONTH, AND DAY OF MONTH MANUFACTURED STAMPED ON HOUSING.
- 6-SWITCH ELECTRICAL FUNCTIONALITY TESTED AFTER ASSEMBLY.
- 7-ELECTRICAL RATING, CONTINUOUS: 20A @ 12-14 VDC.  
 ELECTRICAL LIFE: 5K CYCLES @ 10 AMPS INDUCTIVE;  
 10K CYCLES @ 5 AMPS INDUCTIVE;  
 50K CYCLES @ 5 AMPS RESISTIVE.
- 8-THIS PRODUCT COVERED BY U.S. PATENT NO. 5252791  
 OTHER PATENTS APPLIED FOR
- 9-SWITCH SHOULD NEVER BE MOUNTED IN PANEL WITH THE "B" TERMINAL DIRECTLY ABOVE THE "G" TERMINAL, RELATIVE TO GRAVITY.
- 10-PULL FORCE TO DISLOCATE BACK COVER IS 80 LBS. MINIMUM.
- 11-POSITION 4 IS MOMENTARY.
- 12-ALL OTHER CONTACT COMBINATIONS ARE NOT ALLOWED.



SEAL BETWEEN ROTATING SHAFT AND SWITCH HOUSING



.03 x .25 MALE TERMINALS (7)  
 USE PACKARD 56 SERIES FEMALE TERMINALS WITHOUT LOCKING NIBS, OR EQUIVALENT



TERMINAL PATTERN TO MATE WITH DSI CONNECTOR# 972311

DELTA SYSTEMS, INC. DOES NOT ASSUME ANY LIABILITY ARISING OUT OF THE MISAPPLICATION OF ANY PRODUCT		UNLESS OTHERWISE SPECIFIED DIMENSIONS ARE IN INCHES TOLERANCES ARE:	
DRAWN: LMM CHECKED: TW DATE: 10/16/96 DATE: 10/17/96	FINISH: SEE NOTE 2	DIMENSIONS ARE IN INCHES TOLERANCES ARE:	DIMENSIONS ARE IN MILLIMETERS TOLERANCES ARE:
TITLE: LAWN & GARDEN IGNITION SWITCH	SIZE: C	DIM. NO.: 6900-47M	PROJECT NO.: EX311
SCALE: FULL	REV: L	SYSTEMS INC. STREETSBORO, OHIO 44241	DELTA

COMPUTER GENERATED DRAWING - NO MANUAL CHANGES ALLOWED

DO NOT SCALE DRAWING