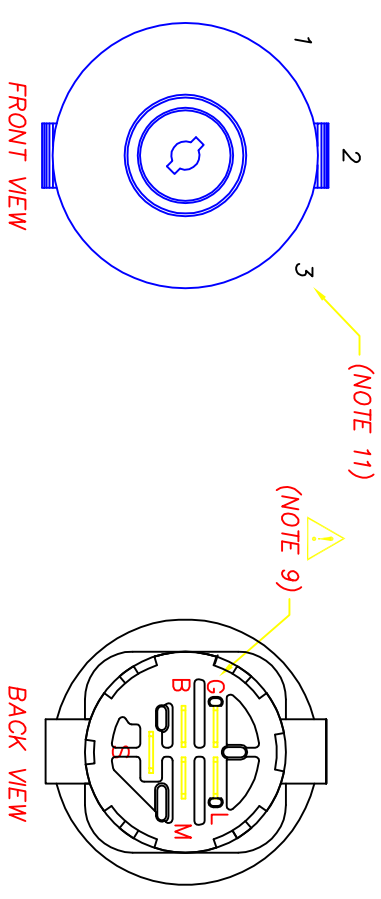
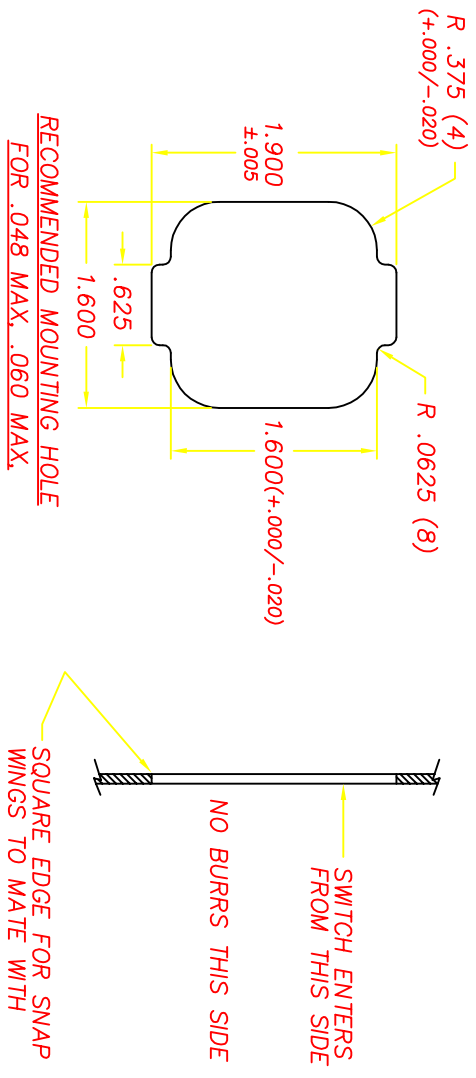


REVISIONS

A	REVISED BACK COVER, CR 1018	08/15/97	TW
B	REVISED BACK COVER, CR 1046	9/17/97	JH
C	ADDED CONNECTOR STOP, CR1215	12/4/98	JH
D	REM'D CORE IN BACKCOVER, CR 1306	06/04/99	JH
E	UPDATED NOTE, MATERIAL IS BRONZE	7/13/99	ML
F	DEFINED CRITICAL CHARACTERISTICS	05/08/00	JH
G	DIM .60 [15.2] & .22 [5.6] CN0553	09/05/02	JG
H	REMOVE CRITICAL DIM., CR 1477	06/02/03	JH
J	UPDATE MATERIAL CR1938	01/03/10	ERB



POSITION	ROTATION	FUNCTION	CONTACT
1	0°	OFF	G+M
2	45°	RUN	L+B
3	85°	START	L+B+S

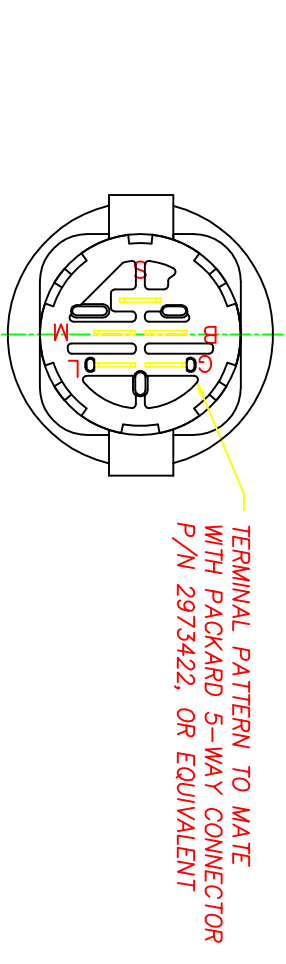
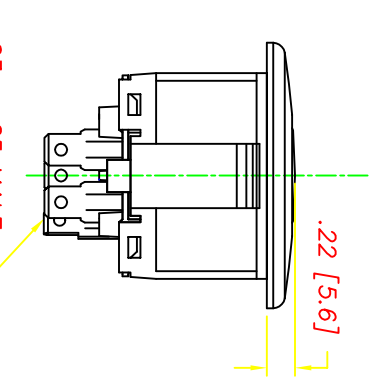
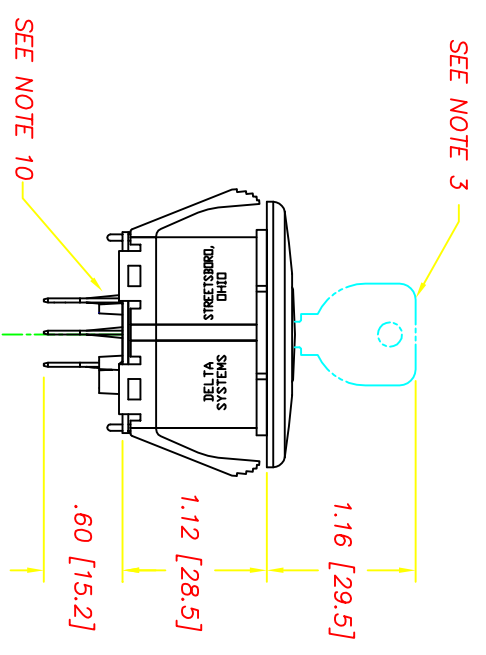
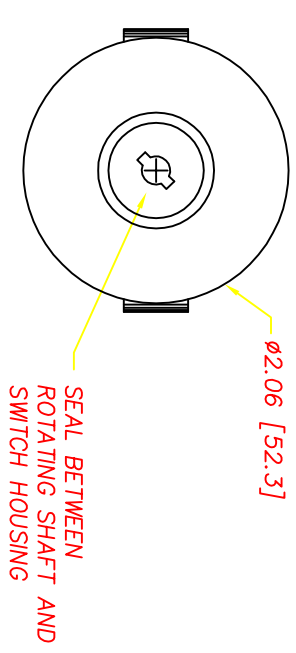


RECOMMENDED MOUNTING HOLE FOR .048 MAX. .060 MAX. .105 MAX. .165 MAX PANELS

(THICKNESS INCLUDES PAINT AND ANY OTHER COVERINGS APPLIED TO PANEL. OTHER PANEL THICKNESSES NOT RECOMMENDED)

NOTES

- 1-DIM'S IN BRACKET [ ] ARE IN MILLIMETERS; MILLIMETER TOLERANCES ARE .XX± .5, .XX± .15.
- 2-PLASTIC PARTS ARE POLYPROPYLENE (BLACK). TERMINALS ARE BRONZE.
- 3-KEY IS SHIPPED SEPARATELY. MAXIMUM TORQUE FOR KEY IS 20 IN LBS. USE DELTA KEY ONLY. DELTA STEEL KEY PART# 688S-STD.
- 4-SWITCH STYLE STAMPED ON HOUSING.
- 5-DATE CODE INDICATING YEAR, MONTH, AND DAY OF MONTH MANUFACTURED STAMPED ON HOUSING.
- 6-SWITCH ELECTRICAL FUNCTIONALITY TESTED AFTER ASSEMBLY.
- 7-ELECTRICAL RATING, CONTINUOUS: 20A @ 12-14 VDC. ELECTRICAL LIFE: 5K CYCLES @ 10 AMPS INDUCTIVE; 10K CYCLES @ 5 AMPS INDUCTIVE; 50K CYCLES @ 5 AMPS RESISTIVE.
- 8-THIS PRODUCT COVERED BY U.S. PATENT NO. 5252791 OTHER PATENTS APPLIED FOR
- 9-SWITCH SHOULD NEVER BE MOUNTED IN PANEL WITH THE "B" TERMINAL DIRECTLY ABOVE THE "G" TERMINAL, RELATIVE TO GRAVITY.
- 10-PULL FORCE TO DISLOCATE BACK COVER IS 80 LBS. MINIMUM.
- 11-POSITION 3 IS MOMENTARY.
- 12-ALL OTHER CONTACT COMBINATIONS ARE NOT ALLOWED.



DELTA SYSTEMS, INC. DOES NOT ASSUME ANY LIABILITY ARISING OUT OF THE MISAPPLICATION OF ANY PRODUCT		UNLESS OTHERWISE SPECIFIED DIMENSIONS ARE IN INCHES TOLERANCES ARE:	
DRAWN: HWP CHECKED DATE: 02/15/96 MATERIAL: SEE NOTE 2 FINISH: SEE NOTE 2	DATE: 11/30/95	DIMENSIONS ARE IN INCHES TOLERANCES ARE:	DIMENSIONS ARE IN INCHES TOLERANCES ARE:
COMPUTER GENERATED DRAWING - NO MANUAL CHANGES ALLOWED		DO NOT SCALE DRAWING	DO NOT SCALE DRAWING
DELTA SYSTEMS, INC. STREETSBORO, OHIO 44241		SYSTEMS INC. STREETSBORO, OHIO 44241	
LAWN & GARDEN IGNITION SWITCH		DWG. NO. 6900-37	PROJECT NO. EX311
SCALE: FULL		SIZE: C	REV: J