

8

7

6

5

4

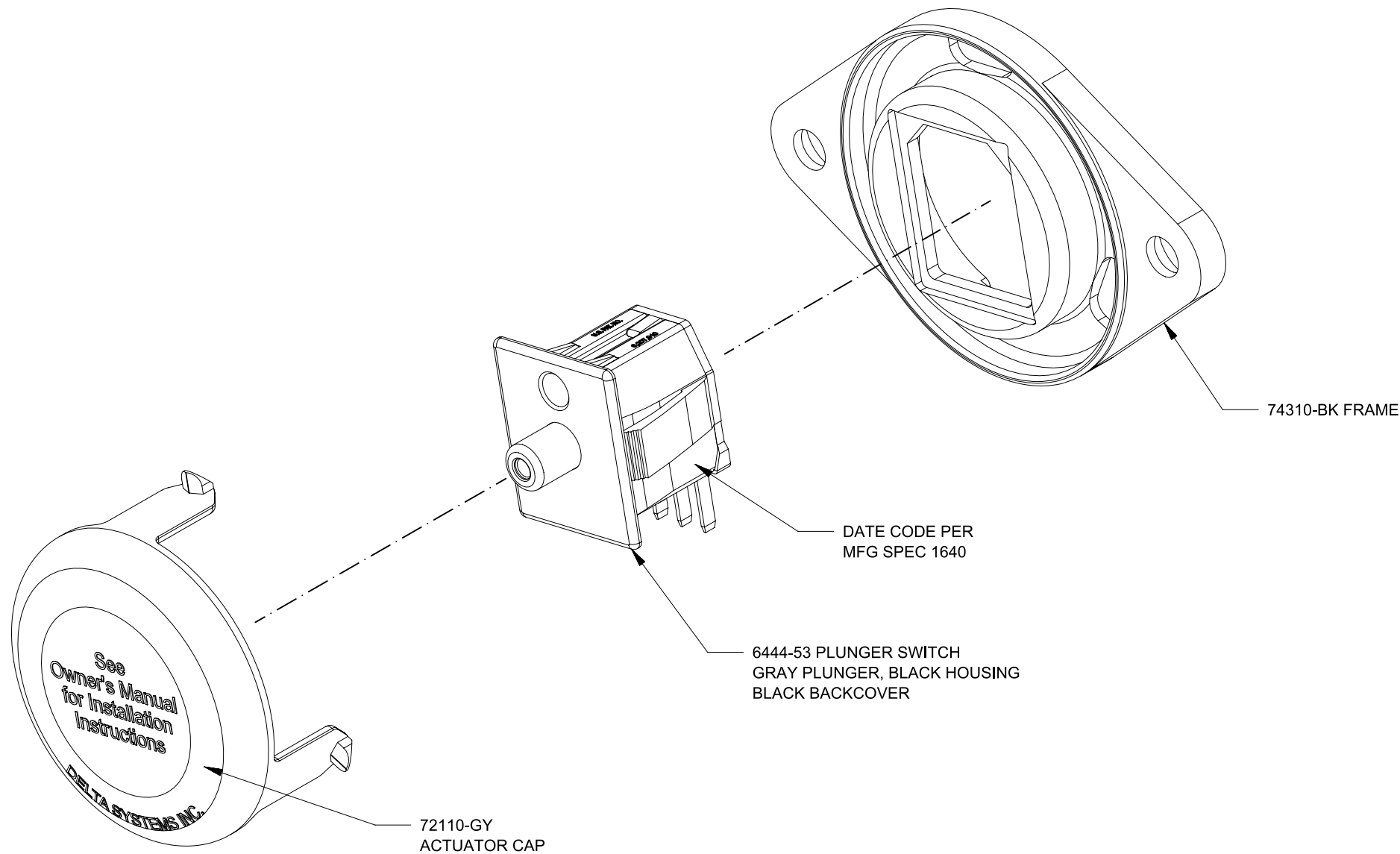
3

2

1

REVISIONS

| REV. | DESCRIPTION | DATE | INIT |
|------|------------------------------------|----------|------|
| A | UPDATED MOD. BACK COVER CR1742 | 08/27/09 | MA |
| B | ADDED SWITCH DESC., CN2689 | 01/24/11 | CAK |
| 3 | MIGRATED TO NX, ADD NOTES, ECO 744 | 04/26/17 | PJC |



NOTES

- MUST BE IN COMPLIANCE WITH DIRECTIVE 2011/65/EU OF THE EUROPEAN PARLIAMENT AND THE COUNCIL OF 8 JUNE 2011 ON THE RESTRICTION OF THE USE OF CERTAIN HAZARDOUS SUBSTANCES IN ELECTRICAL AND ELECTRONIC EQUIPMENT (ROHS DIRECTIVE)
- INTERPRET THIS DRAWING IN ACCORDANCE WITH ASME Y14.5-2009

PROPRIETARY & CONFIDENTIAL
THE INFORMATION CONTAINED IN
THIS DRAWING IS THE SOLE
PROPERTY OF DELTA SYSTEMS.
ANY REPRODUCTION IN PART OR
AS A WHOLE WITHOUT THE
WRITTEN PERMISSION OF DELTA
SYSTEMS IS PROHIBITED.

DELTA SYSTEMS INC. DOES NOT
ASSUME ANY LIABILITY ARISING
OUT OF THE MISAPPLICATION OF
ANY PRODUCT

UNLESS OTHERWISE
SPECIFIED DIMENSIONS
ARE IN INCHES
TOLERANCES ARE:

.X± .1
.XX± .02
.XXX± .005
X°± 1°

COMPUTER GENERATED
DRAWING - NO MANUAL
CHANGES ALLOWED

DRAWN
malbrecht

CHECKED
jmichaud

APPROVED
ikirbawy

MATERIAL
POLYPROPYLENE

FINISH

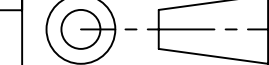
DO NOT SCALE DRAWING

DATE
16-Oct-2006

DATE
02-Nov-2006

DATE
26-May-2017

PROJECTED VIEWS
ARE 3RD ANGLE



STATUS
DS4_Design

DELTA SYSTEMS
1734 FROST ROAD
STREETSBORO, OHIO 44241
330-626-2811
WWW.DELTASYSTEMSINC.COM

TITLE
NC/NO BOLT MOUNT SEAT SWITCH

| | |
|------------------|----------------------|
| SIZE B | DWG. NO. 6522-53 |
| SCALE NTS | SHEET 1 OF 1 |
| | PROJECT NO. EX360 |
| | REVISION 3 |

8

7

6

5

4

3

2

1