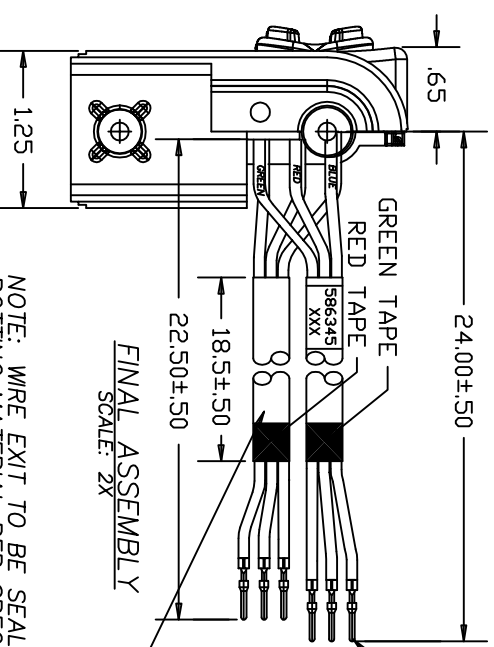
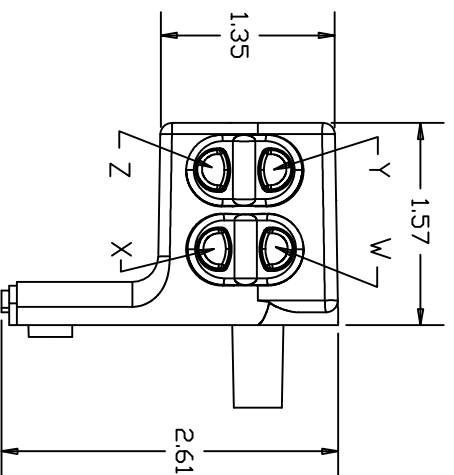


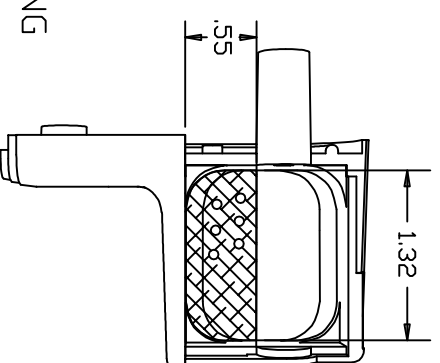
REVISIONS			
~	INITIAL RELEASE: CR 1542	05/28/04	JLM
A	ADD OP SPEC & P/N: CN 0843	07/19/04	JLM
B	ADD CUST. RELAY TO SPEC: CN0866	09/27/04	JLM
C	REMOVE TRAVEL SPEC. CN 0929	12/13/04	JLM
D	ADJUST WIRE EXIT, CR 1648	02/22/07	JLM
E	DATE CODE FORMAT WAS XX, CN3010	11/01/11	IDK
E	REMOVED BRACKET DATE CODE		

LEAD WIRES MUST EXIT
POTTING WITHIN THIS AREA



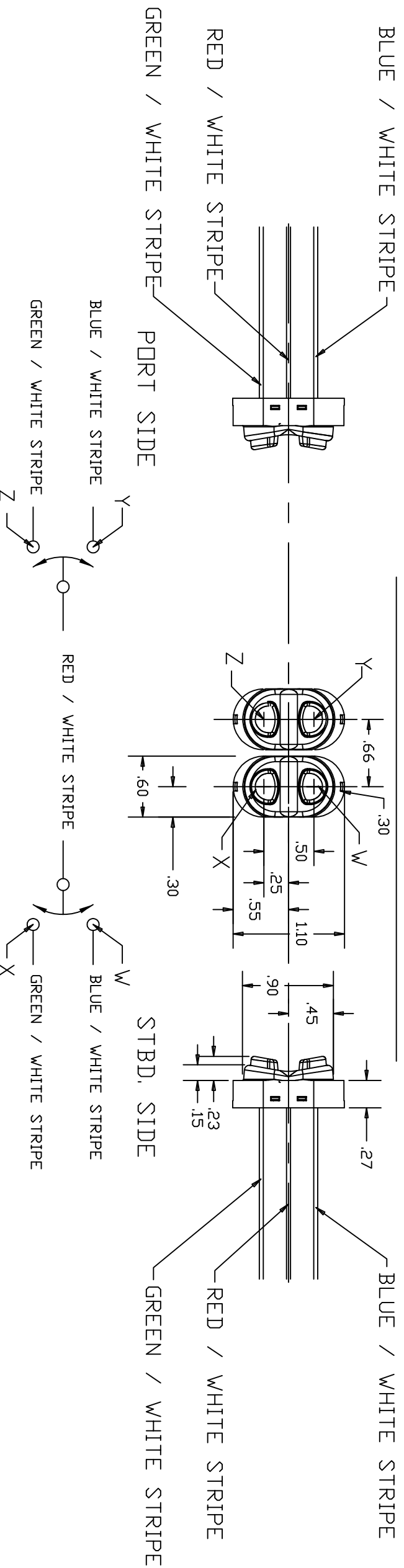
NOTE: WIRE EXIT TO BE SEALED WITH
POTTING MATERIAL PER SPEC. #448100

DEUTSCH 1060-16-0122 (6)
TUBING - WALL THICKNESS
.020 ± .005 X 18.50 ±.05 LONG
COLOR BLACK



WIRE EXIT DETAIL

SWITCH SPECIFICATION INFORMATION



NOTES:

- 1-PLASTIC PARTS ARE BLACK CELCON;
- BUTTONS ARE ELASTOMER - RED.
- 2-WIRE POSITION IMPORTANT.
- 3-WIRE SPECIFICATIONS:
- 18 GA TIN COATED COPPER 7/26 STRANDING
- PVC INSULATION, O.D. .068 ±.005", VOLTAGE RATING 600 VOLTS, TEMPERATURE RATING 105°C.

OPERATING SPECIFICATIONS

- VOLTAGE DROP @3A (12-15 VDC) SHALL NOT EXCEED 150 MV;
- LEAKAGE @ 12DC SHALL NOT EXCEED 50 MICRO AMPS
- NUMBER OF POLES: 1 NUMBER OF THROWS: 2
- TYPICAL LOAD RESISTANCE = 250 MA; MAXIMUM LOAD = 300 MA
- MAXIMUM CLOSED CIRCUIT RESISTANCE <0.100 OHMS (NOT INCLUDING WIRE);
- MINIMUM OPEN CIRCUIT RESISTANCE >10 MEG OHMS;
- TRIP FORCE 3.75 LBS ±1 LBS

ENVIRONMENTAL SPECIFICATIONS

- MEETS OR EXCEEDS THE FOLLOWING: IPE7; ASAE EP 455.5.8.2 & 455.5.13;
- ASTM B117; DELTA OS 10.02.20

LIFE CYCLE

- 100,000 CYCLES @ 300 MA INDUCTIVE LOAD (LR90143 & VF4 RELAYS)

DELTA SYSTEMS, INC. DOES NOT ASSUME ANY LIABILITY ARISING OUT OF THE MISAPPLICATION OF ANY PRODUCT		UNLESS OTHERWISE SPECIFIED DIMENSIONS ARE IN INCHES DECIMALS ARE ANG. 1"	
COMPUTER GENERATED DRAWING - NO MANUAL CHANGES ALLOWED	DO NOT SCALE DRAWING	DRAWN JLM 10/31/03	DATE 10/31/03
CHECKED MA 01/06/04	MATERIAL AS NOTED	FINISH AS NOTED	TITLE DUAL MINI TRIM SWITCH
SIZE C	DWG. NO. 7162-01	PROJECT NO. EX365	REV E

