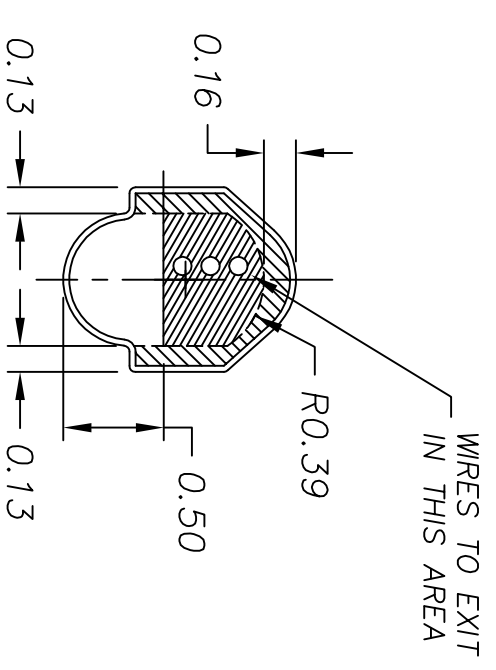
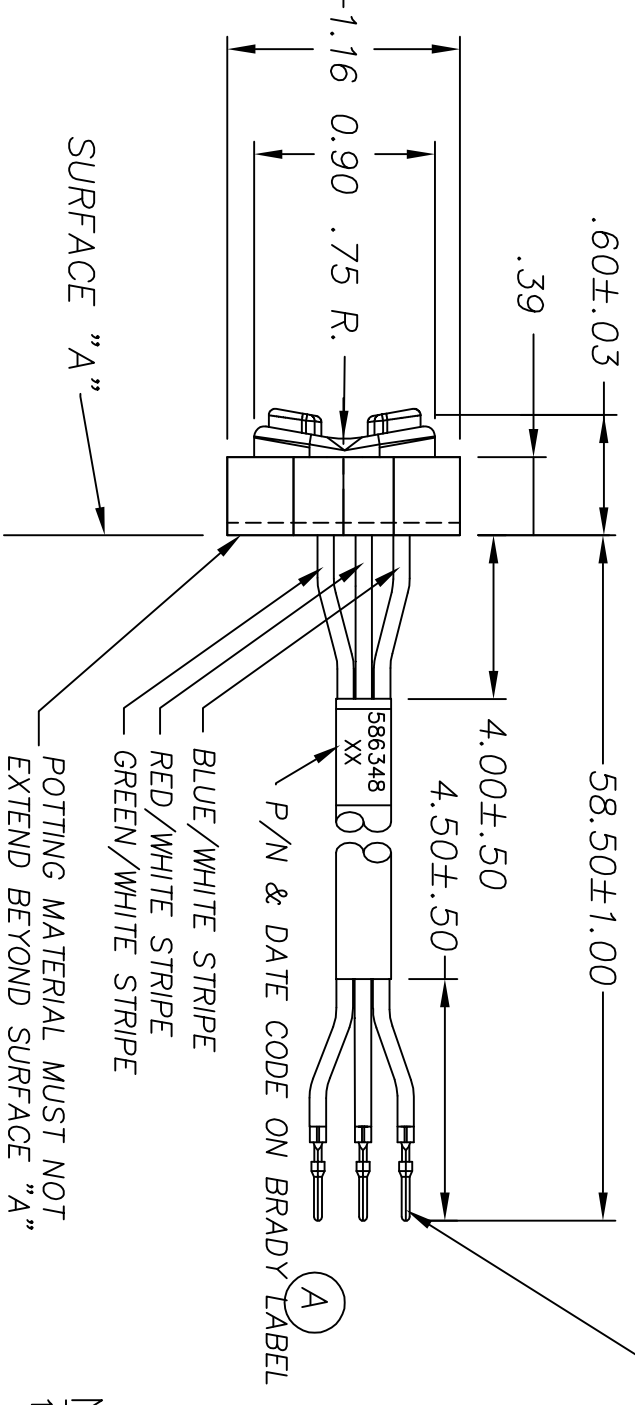
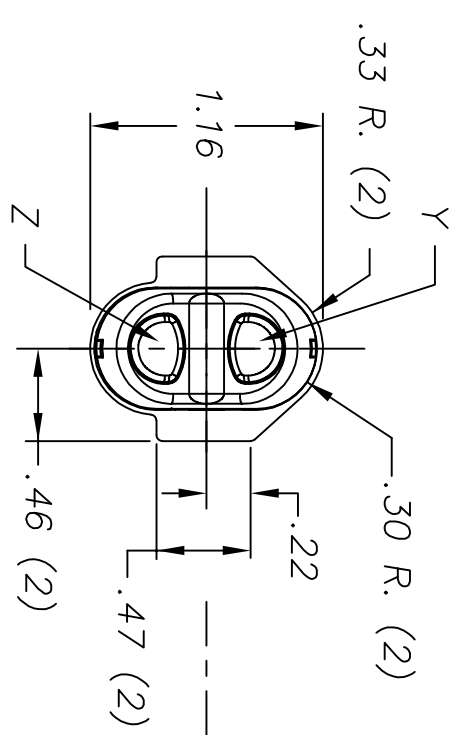
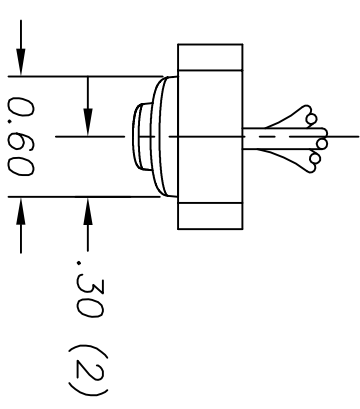


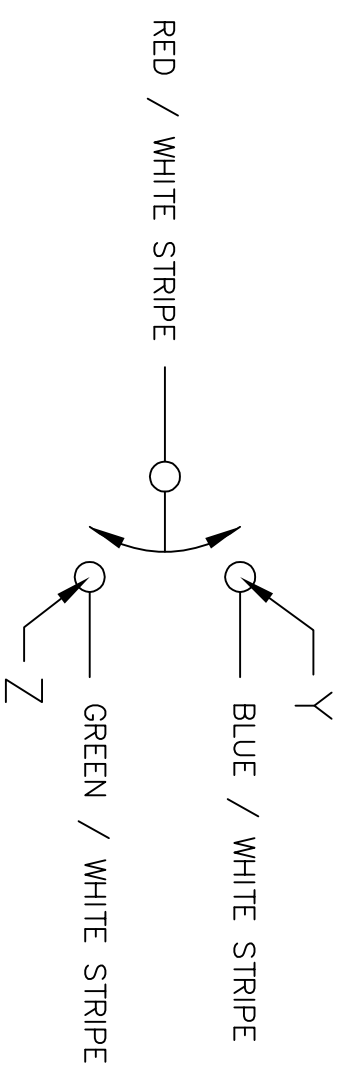
REVISIONS			
~	INITIAL RELEASE, CR 1542	05/28/04	JLM
A	ADD OP SPEC & CUST P/N; CN 0843	07/19/04	JLM
B	ADD CUST. RELAY TO SPEC; CN0866	09/27/04	JLM
C	REMOVE TRAVEL SPEC. CN 0929	12/13/04	JLM
D	ADD DEUTSCH P/N TO PRINT	02/05/05	JLM



(A)
OPERATING SPECIFICATIONS
 VOLTAGE DROP @3A (12-15 VDC) SHALL NOT EXCEED 150 MV;
 LEAKAGE @ 12DC SHALL NOT EXCEED 50 MICRO AMPS
 NUMBER OF POLES: 1 NUMBER OF THROWS: 2
 TYPICAL LOAD RESISTANCE = 250 MA; MAXIMUM LOAD = 300 MA
 MAXIMUM CLOSED CIRCUIT RESISTANCE <0.100 OHMS (NOT INCLUDING WIRE);
 MINIMUM OPEN CIRCUIT RESISTANCE >10 MEG OHMS;
 TRIP FORCE 3.75 LBS ±1 LBS

ENVIRONMENTAL SPECIFICATIONS
 MEETS OR EXCEEDS THE FOLLOWING: IP67; ASAE EP 455.5.8.2 & 455.5.13;
 ASTM B117; DELTA QS 10.02.20

LIFE CYCLE
 100,000 CYCLES @ 300 MA INDUCTIVE LOAD (LR90143 & VFA RELAYS)



SURFACE "A"
 POTTING MATERIAL MUST NOT EXTEND BEYOND SURFACE "A"

DELTA SYSTEMS, INC. DOES NOT ASSUME ANY LIABILITY ARISING OUT OF THE MISAPPLICATION OF ANY PRODUCT

COMPUTER GENERATED DRAWING - NO MANUAL CHANGES ALLOWED
 UNLESS OTHERWISE SPECIFIED DIMENSIONS ARE IN INCHES TOLERANCES ARE:
 .xxx± .02 .xxx± .005 ANG± 1°
 DO NOT SCALE DRAWING

NOTES:
 1-PLASTIC PARTS ARE BLACK CELCON; BUTTONS ARE ELASTOMER - RED.
 2-WIRE POSITION CRITICAL
 3-WIRE SPECIFICATION:
 MUST MEET SAE J1128. COLORS AS NOTED.
 18GA - 7 GROUPS, 9 STRANDS PER GROUP OF #36AWG TINNED COPPER WIRE WITH REINFORCING STAINLESS STEEL - 4STRANDS PER GROUP.
 105°C MIN GPT OR GXL 125°C INSULATION PER SAE J378. OD .096±.003.

DRAWN	DATE
JLM	01/08/03
CHECKED	DATE
MA	01/08/03

DELTA SYSTEMS INC.
 STREETSBORO, OHIO 44241

MATERIAL AS NOTED		FINISH AS NOTED	
SCALE		PROJECT NO.	
SIZE B		7152-03	
FULL		X365	
TITLE		REV	
MINI-TRIM SWITCH		D	
BMCA P/N 586348			