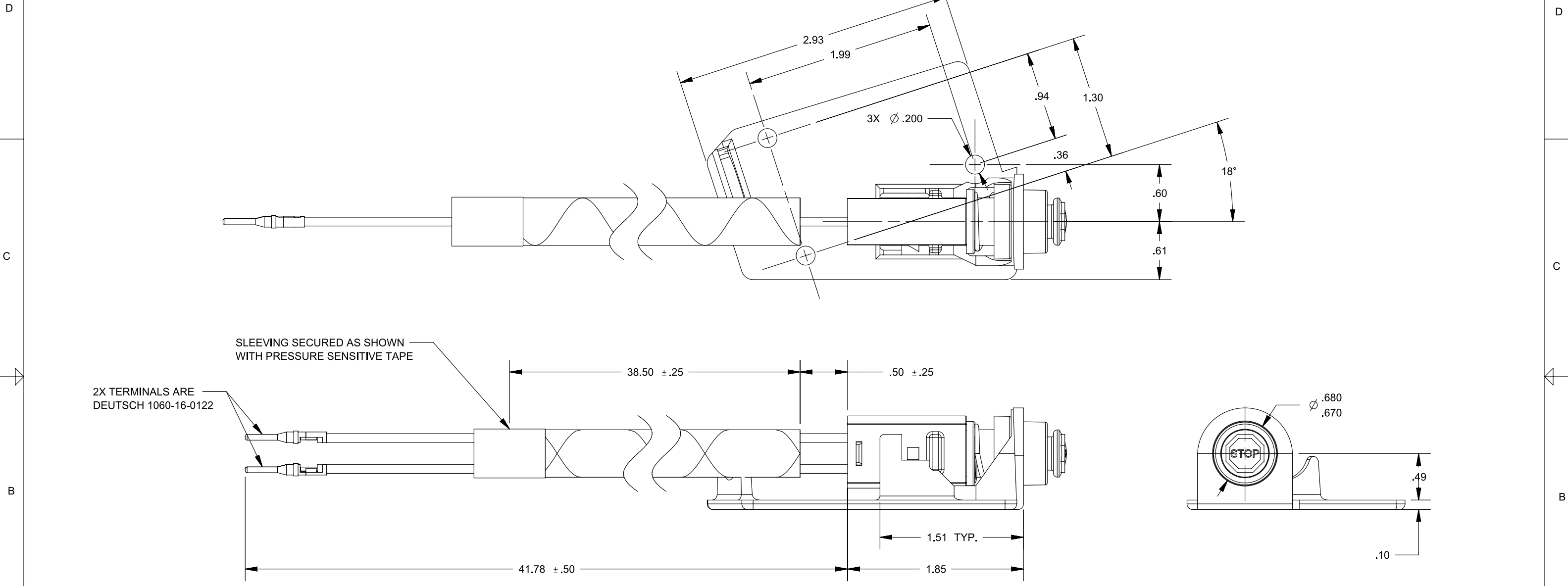


8 7 6 5 4 3 2 1

REVISIONS

REV.	DESCRIPTION	DATE	INIT
0	INITIAL RELEASE	06/04/15	PJC
1	P/N WAS 7071-02, ECO 500	02/05/16	NMP



- NOTES**
- 1) SWITCH HOUSING AND PLUNGER ARE CONSTRUCTED OF UV STABLE, FUEL RESISTANT THERMOPLASTIC COLOR: BLACK
 - 2) RETAINER IS CELCON, 12% GLASS, COLOR: BLACK
BUTTON IS NYLON 11, COLOR: RED
 - 3) LANYARD CLIP SOLD SEPARATELY
 - 4) INTERPRET THIS DRAWING IN ACCORDANCE WITH ASME Y14.5-2009

PROPRIETARY & CONFIDENTIAL
THE INFORMATION CONTAINED IN
THIS DRAWING IS THE SOLE
PROPERTY OF DELTA SYSTEMS.
ANY REPRODUCTION IN PART OR
AS A WHOLE WITHOUT THE
WRITTEN PERMISSION OF DELTA
SYSTEMS IS PROHIBITED.

DELTA SYSTEMS INC. DOES NOT
ASSUME ANY LIABILITY ARISING
OUT OF THE MISAPPLICATION OF
ANY PRODUCT

UNLESS OTHERWISE
SPECIFIED DIMENSIONS
ARE IN INCHES
TOLERANCES ARE:

.X± .1
.XX± .02
.XXX± .005
X°± 1°

COMPUTER GENERATED
DRAWING - NO MANUAL
CHANGES ALLOWED

DRAWN
pcolonna

CHECKED
mschwenning

APPROVED
ikirbawy

MATERIAL
AS NOTED

FINISH
AS NOTED

DO NOT SCALE DRAWING

DATE
04-Jun-2015

DATE
01-Jul-2015

DATE
01-Jul-2015

PROJECTED VIEWS
ARE 3RD ANGLE

STATUS
DS4_Design

DELTA SYSTEMS
1734 FROST ROAD
STREETSBORO, OHIO 44241
330-626-2811
WWW.DELTASYSTEMSINC.COM

TITLE
Lanyard Stop Switch Application

SIZE
B

DWG. NO.
7071-02A_APP

SCALE
NTS

SHEET
1 OF 1

PROJECT NO.
EX0257

REVISION
1

1

8 7 6 5 4 3 2 1