

8

7

6

5

4

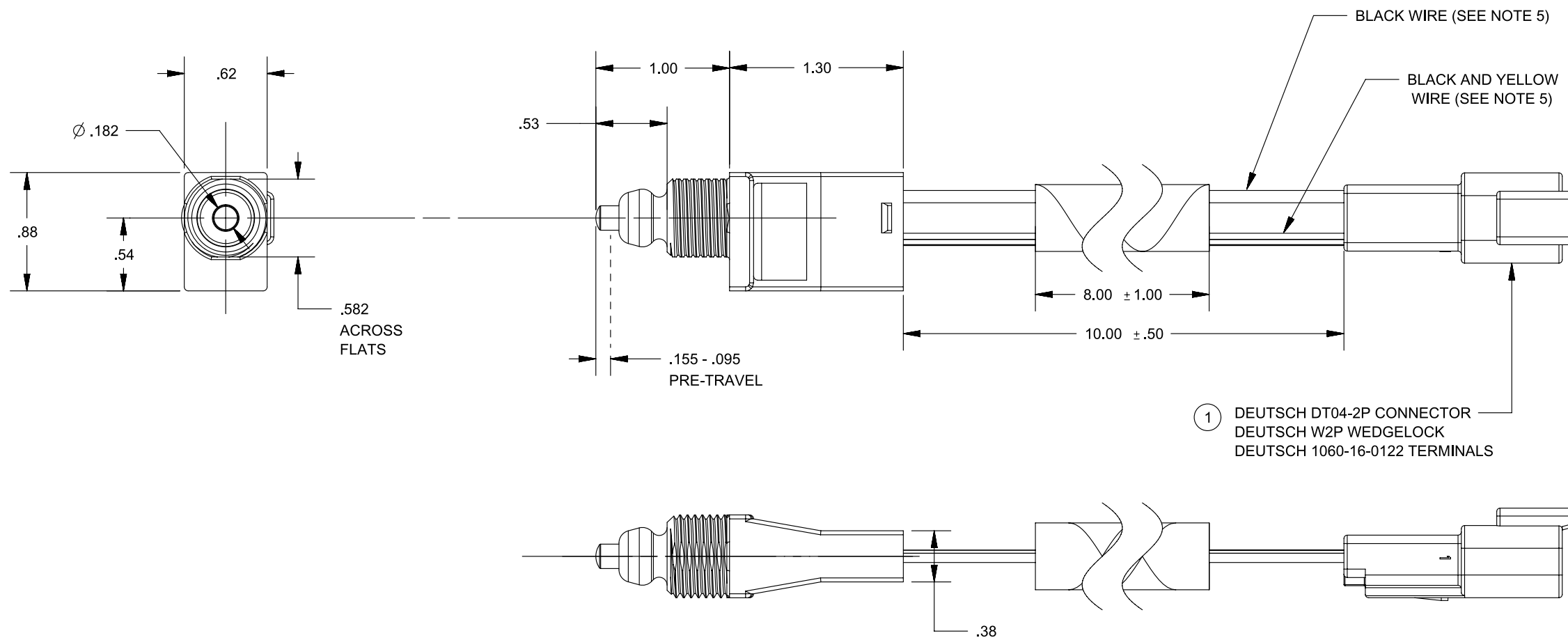
3

2

1

### REVISIONS

REV.	DESCRIPTION	DATE	INIT
0	INITIAL RELEASE	05/06/16	NMP
1	ADDED WIRE SPECIFICATION NOTE, ADDED WEDGELOCK AND TERMINAL MFG P/N'S	08/30/16	NMP



#### NOTES

- 1) SWITCH HOUSING AND PLUNGER ARE CONSTRUCTED OF UV STABILIZED FUEL RESISTANT THERMOPLASTIC
- 2) NORMALLY CLOSED SWITCH, SPRING BIASED TO POSITION SHOWN
- 3) PART IS DATE CODED WITH YEAR, MONTH, AND DAY OF MONTH MANUFACTURED
- 4) INTERPRET THIS DRAWING IN ACCORDANCE WITH ASME Y14.5-2009
- 5) WIRE TO MEET THE FOLLOWING SPECIFICATIONS:
 

SIZE	18 AWG TIN COATED COPPER
STRANDING	41/34
INSULATION	SXL
INSULATION NOM. O.D.	.106
TEMPERATURE RATING	125° C

PROPRIETARY & CONFIDENTIAL THE INFORMATION CONTAINED IN THIS DRAWING IS THE SOLE PROPERTY OF DELTA SYSTEMS. ANY REPRODUCTION IN PART OR AS A WHOLE WITHOUT THE WRITTEN PERMISSION OF DELTA SYSTEMS IS PROHIBITED.	UNLESS OTHERWISE SPECIFIED DIMENSIONS ARE IN INCHES TOLERANCES ARE: $.X \pm .1$ $.XX \pm .02$ $.XXX \pm .005$ $X^\circ \pm 1^\circ$	DRAWN npurdy	DATE 06-May-2016	<b>DELTA SYSTEMS</b> 1734 FROST ROAD STREETSBORO, OHIO 44241 330-626-2811 WWW.DELTASYSTEMSINC.COM	
		CHECKED bkirkman	DATE 10-May-2016		
DELTA SYSTEMS INC. DOES NOT ASSUME ANY LIABILITY ARISING OUT OF THE MISAPPLICATION OF ANY PRODUCT	COMPUTER GENERATED DRAWING - NO MANUAL CHANGES ALLOWED	APPROVED	DATE	TITLE Tether Switch (N.C.) Application Print	
		MATERIAL NA	PROJECTED VIEWS ARE 3RD ANGLE 	SIZE <b>B</b>	
		FINISH NA	DO NOT SCALE DRAWING	STATUS DS4_Design	DWG. NO. 7050-24_APP
		SCALE NTS	SHEET 1 OF 1	PROJECT NO. 042	REVISION 1

8

7

6

5

4

3

2

1