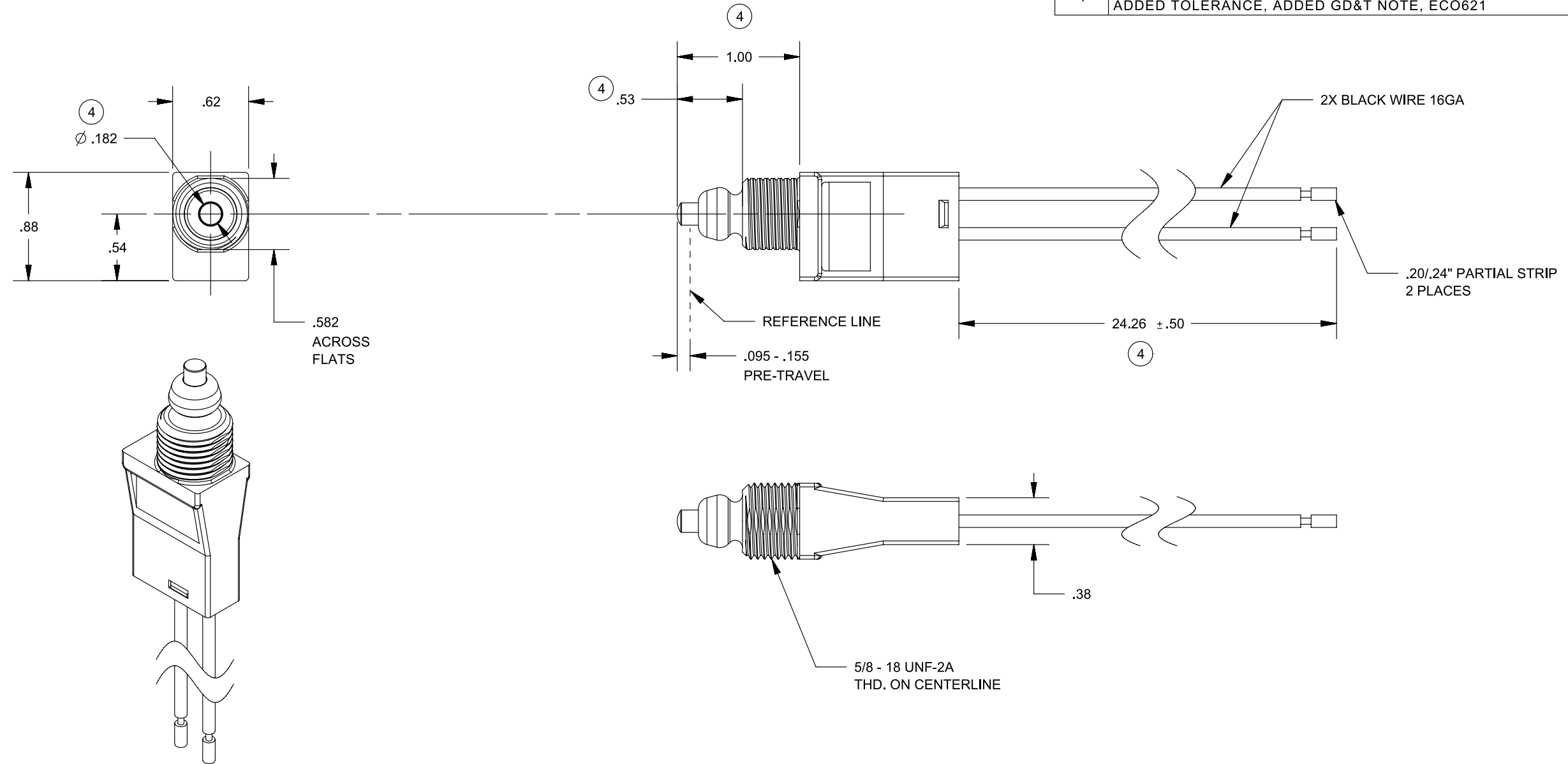


REVISIONS

REV.	DESCRIPTION	DATE	INIT
X2	UPDATE TERMINAL INFORMATION	10/05/95	TW
~	RELEASED FROM EX, CR 762	12/21/95	TW
A	REVISED WIRE ASSEMBLY, CR 771	01/25/96	TW
B	ADDED DATE CODE NOTE	10/05/99	JH
C	PRETRAVEL WAS .100 NOM., CR 1889 DATE CODE SPEC WAS 1635	01/31/12	CAK
4	MIGRATED INTO TC, UPDATED DIM'S, UPDATED WIRE LENGTH AND ADDED TOLERANCE, ADDED GD&T NOTE, ECO621	08/30/16	NMP



NOTES

- SWITCH HOUSING AND PLUNGER ARE CONSTRUCTED OF UV STABILIZED FUEL RESISTANT THERMOPLASTIC
- NORMALLY CLOSED SWITCH, SPRING BIASED TO POSITION SHOWN
- DATE CODE ON HOUSING PER DSI SPEC #1640
- 4) INTERPRET THIS DRAWING IN ACCORDANCE WITH ASME Y14.5-2009

PROPRIETARY & CONFIDENTIAL THE INFORMATION CONTAINED IN THIS DRAWING IS THE SOLE PROPERTY OF DELTA SYSTEMS. ANY REPRODUCTION IN PART OR AS A WHOLE WITHOUT THE WRITTEN PERMISSION OF DELTA SYSTEMS IS PROHIBITED.	UNLESS OTHERWISE SPECIFIED DIMENSIONS ARE IN INCHES TOLERANCES ARE: .X± .1 .XX± .02 .XXX± .005 X°± 1°	DRAWN Imm	DATE 19-Sep-1995	1734 FROST ROAD STREETSBORO, OHIO 44241 330-626-2811 WWW.DELTASYSTEMSINC.COM			
		CHECKED twilliams	DATE 19-Sep-1995				
APPROVED ikirbawy	DATE 19-Oct-2016	PROJECTED VIEWS ARE 3RD ANGLE					
MATERIAL AS NOTED	FINISH AS NOTED						
DELTA SYSTEMS INC. DOES NOT ASSUME ANY LIABILITY ARISING OUT OF THE MISAPPLICATION OF ANY PRODUCT	COMPUTER GENERATED DRAWING - NO MANUAL CHANGES ALLOWED	DO NOT SCALE DRAWING	STATUS DS4_Design	TITLE Tether Switch, Normally Closed			
		SIZE B	DWG. NO. 7050-19_APP	SCALE NTS	SHEET 1 OF 1	PROJECT NO. E-312	REVISION 4