

8

7

6

5

4

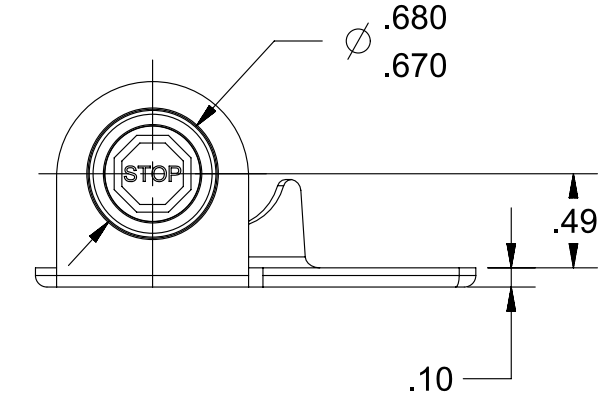
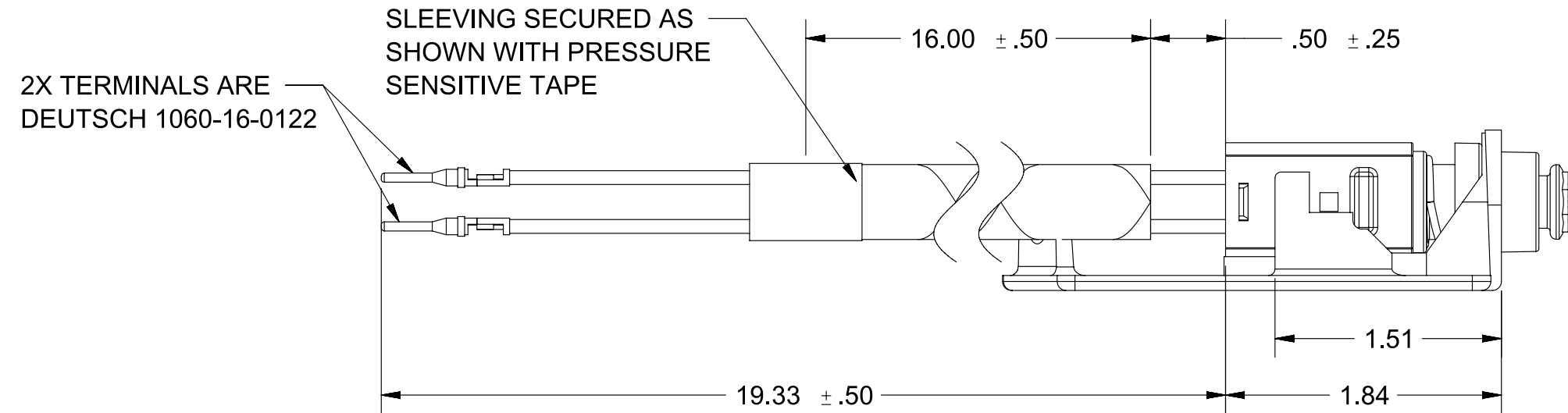
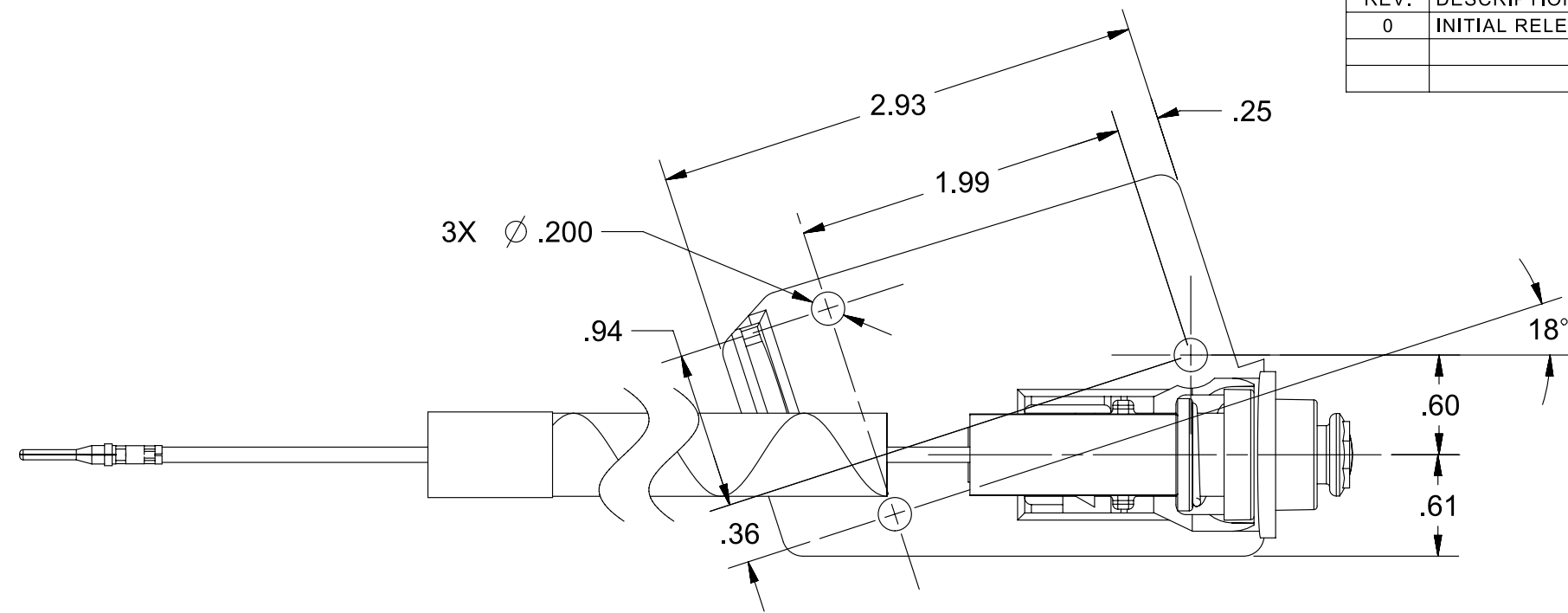
3

2

1

REVISIONS

REV.	DESCRIPTION	DATE	INIT
0	INITIAL RELEASE	06/04/15	PJC



NOTES

- 1) SWITCH HOUSING AND PLUNGER ARE CONSTRUCTED OF UV STABLE, FUEL RESISTANT THERMOPLASTIC COLOR: BLACK
- 2) RETAINER IS CELCON, 12% GLASS, COLOR: BLACK
BUTTON IS NYLON 11, COLOR: RED
- 3) LANYARD CLIP SOLD SEPARATELY
- 4) INTERPRET THIS DRAWING IN ACCORDANCE WITH ASME Y14.5-2009

PROPRIETARY & CONFIDENTIAL
THE INFORMATION CONTAINED IN THIS DRAWING IS THE SOLE PROPERTY OF DELTA SYSTEMS. ANY REPRODUCTION IN PART OR AS A WHOLE WITHOUT THE WRITTEN PERMISSION OF DELTA SYSTEMS IS PROHIBITED.

DELTA SYSTEMS INC. DOES NOT ASSUME ANY LIABILITY ARISING OUT OF THE MISAPPLICATION OF ANY PRODUCT

UNLESS OTHERWISE SPECIFIED DIMENSIONS ARE IN INCHES
TOLERANCES ARE:

.X±	.1
.XX±	.02
.XXX±	.005
X°±	1°

COMPUTER GENERATED DRAWING - NO MANUAL CHANGES ALLOWED

DRAWN: pcolonna
CHECKED: bkirkman
APPROVED: ikirbawy
MATERIAL: AS NOTED
FINISH: AS NOTED
DO NOT SCALE DRAWING

DATE: 04-Jun-2015
DATE: 05-Jun-2015
DATE: 01-Jul-2015
PROJECTED VIEWS ARE 3RD ANGLE
STATUS: DS4_Design

DELTA SYSTEMS
1734 FROST ROAD
STREETSBORO, OHIO 44241
330-626-2811
WWW.DELTASYSTEMSINC.COM

TITLE: Lanyard Stop Switch Application

SIZE: B
SCALE: NTS

DWG. NO.: 7071-17_APP

SHEET: 1 OF 1
PROJECT NO.: EX0257
REVISION: 0

8

7

6

5

4

3

2

1