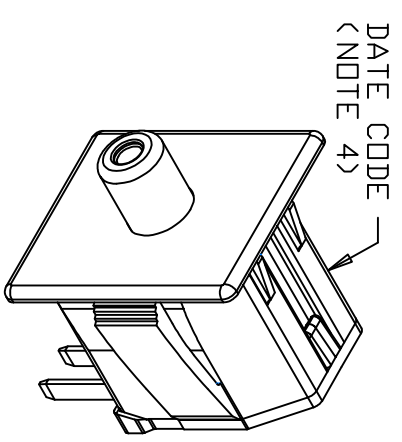
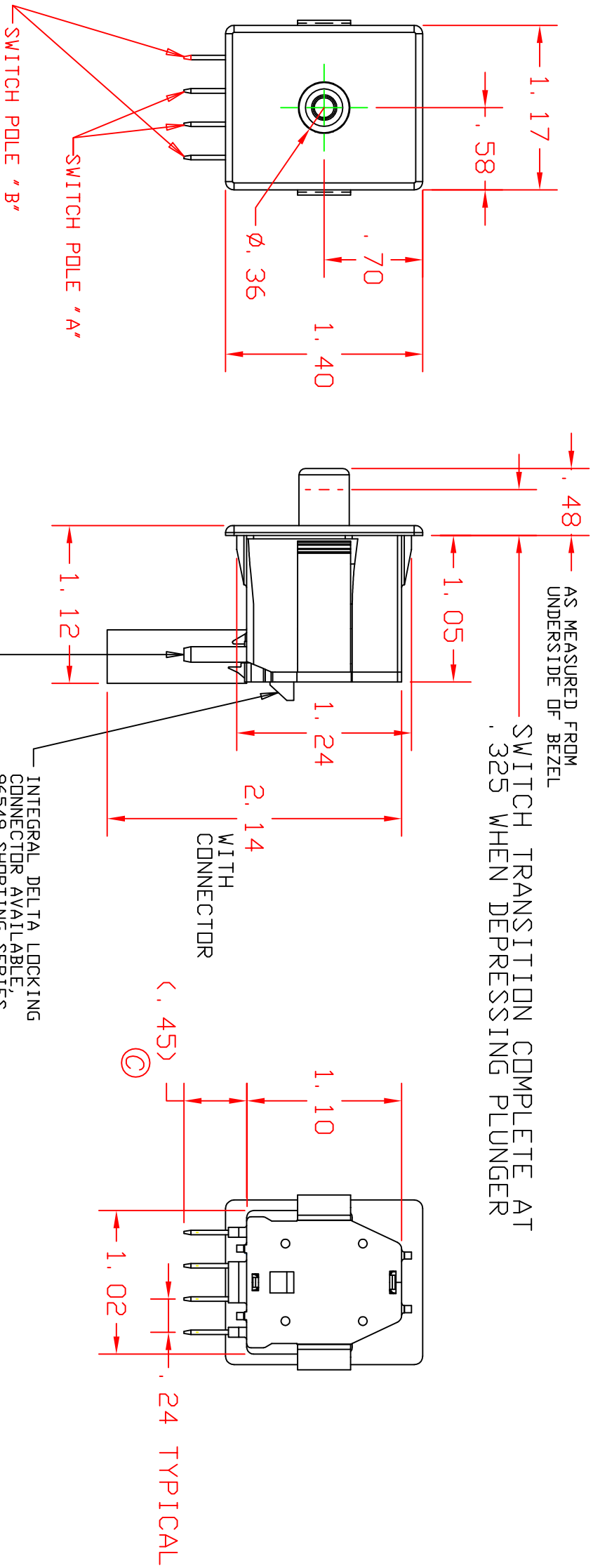
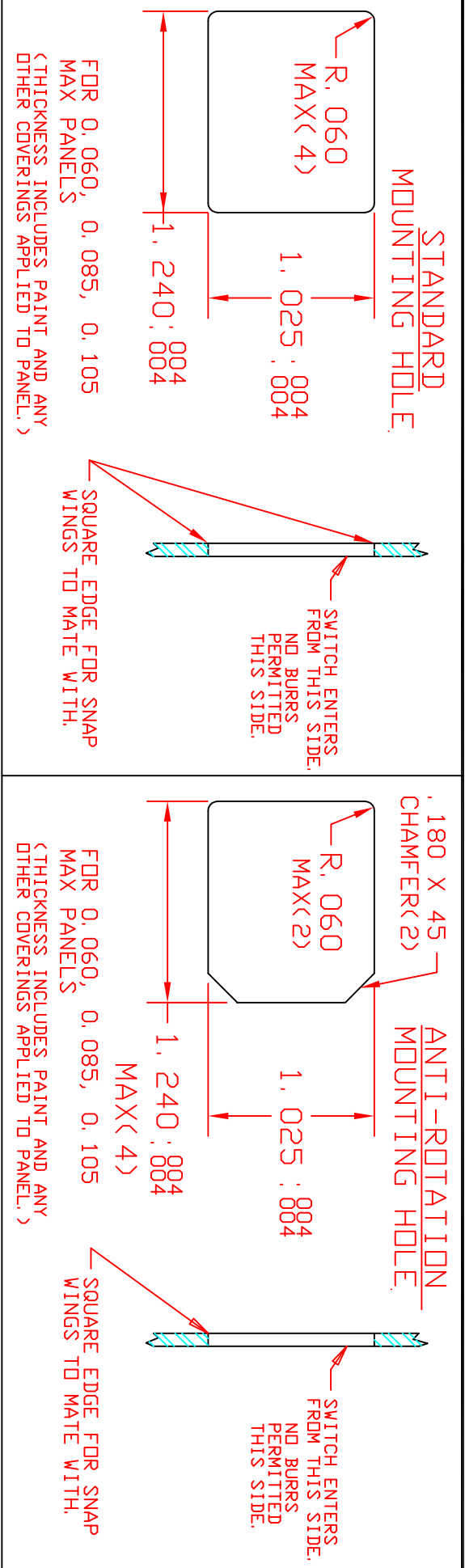


REVISIONS			
~	INITIAL RELEASE, CR 1563	08/23/04	MA
A	UPDATED MOD. BACK COVER, CR1742	08/27/09	MA
B	UPDATE MATERIAL & TOL. CR1908	07/21/10	ERB
C	(.45) WAS .45±.03, CN3369	09/26/12	IDK



NOTES:
 ▲ DESIGNATES CRITICAL CHARACTERISTICS

1. TERMINALS ARE BRASS.
2. HOUSING & PLUNGER ARE GRAY POLYPROPYLENE
3. BACK COVER IS OLIVE POLYPROPYLENE
4. INTEGRITY OF WELD & SWITCH FUNCTIONALITY TESTED AFTER ASSEMBLY.
5. DATE CODE INDICATES YEAR, MONTH & DAY OF MONTH MANUFACTURED.
6. MATING DELTA CONNECTOR WITH SHORTING CONTACT IS P/N #96549-DL. MATING TERMINAL IS P/N PACKARD #12034046 (18-20 GA WIRE) #12066214 (14-16 GA WIRE)
7. RATED 3A @ 12-14 VDC (CYCLES= 10K INDUCTIVE; 100K RESISTIVE)
8. FORCE TO DEPRESS PLUNGER .40" = 4.6±1.7 LB.
9. THIS PRODUCT IS COVERED BY U.S. PATENT # 6,207,910.

DELTA SYSTEMS, INC. DOES NOT ASSUME ANY LIABILITY ARISING OUT OF THE MISAPPLICATION OF ANY PRODUCT

COMPUTER GENERATED DRAWING - NO MANUAL CHANGES ALLOWED

UNLESS OTHERWISE SPECIFIED DIMENSIONS ARE IN INCHES TOLERANCES ARE:
 .XX± .02 .XXX± .005 ANG± 1°

AS NOTED

AS NOTED

DELTA SYSTEMS INC.
 STREETSBORO, OHIO 44241

TITLE
 NC/NC DPLP PLUNGER-TWO POLE SHORTING CONNECTOR SWITCH

SIZE
 B

DWG. NO.
 6444-83

SCALE
 1X

PROJECT NO.
 EX360

REV
 C