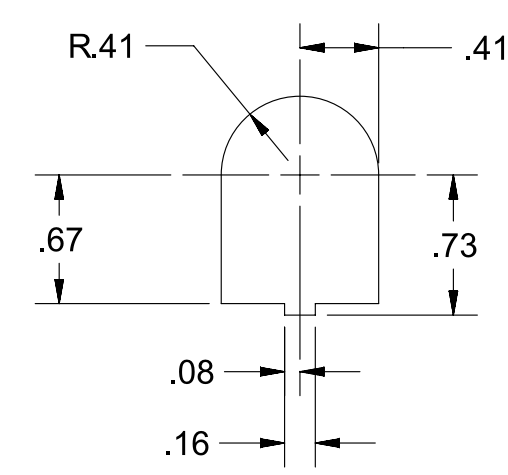
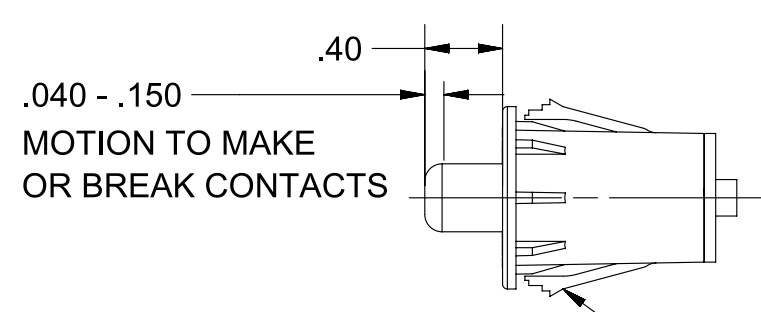


REVISIONS			
REV.	DESCRIPTION	DATE	INIT
0	INITIAL RELEASE	09/07/16	NMP
1	(.56) WAS .56, 3.0 \pm 2.0 LBS WAS 3.0 LBS	10/17/16	IDK

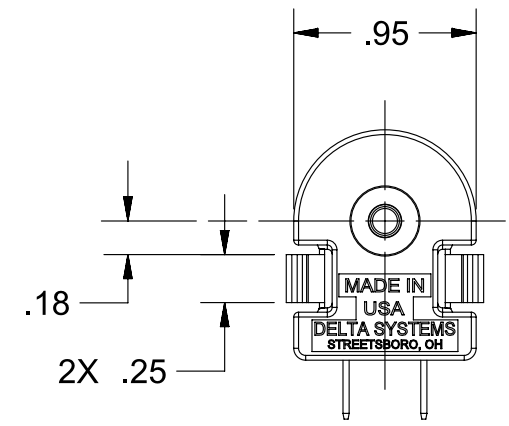


RECOMMENDED MOUNTING HOLE

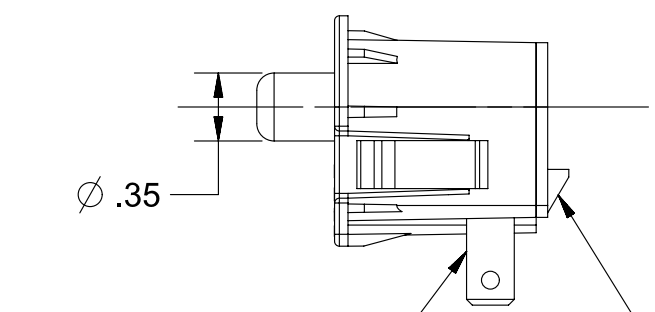


.040 - .150
MOTION TO MAKE
OR BREAK CONTACTS

WITH COVER ON SWITCH, SNAP WINGS
TO ACCOMMODATE PANEL THICKNESS
OF .060 AND .085, INCLUDING PAINT AND DECALS

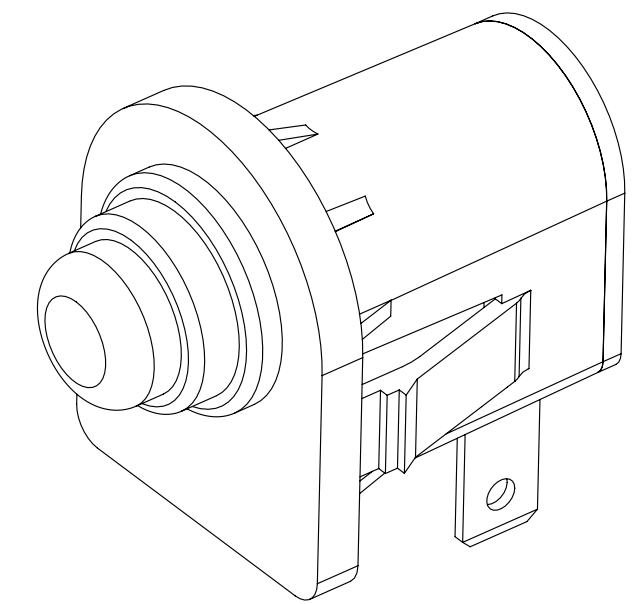
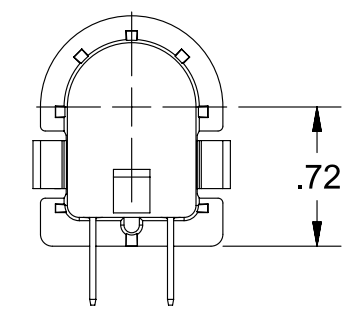


DIMENSIONS FOR BASE SWITCH

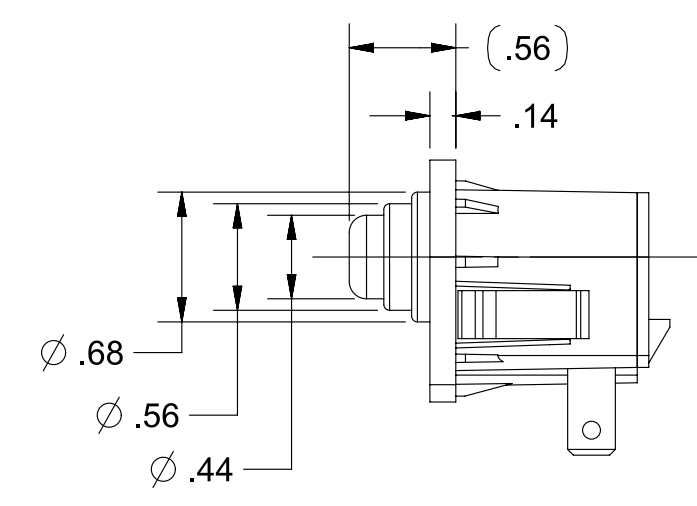
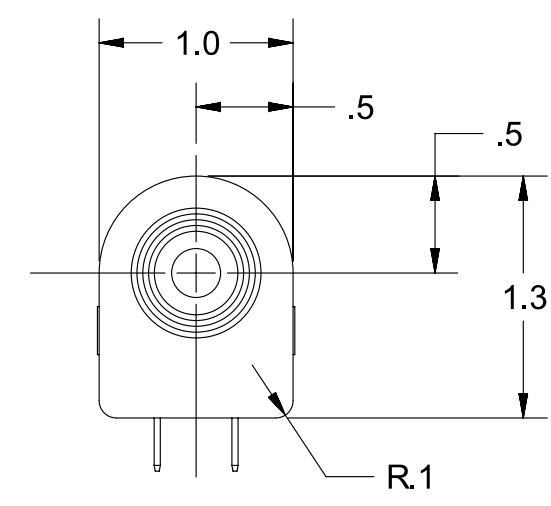


2X .25 X .032 MALE
BLADE TERMINALS

TERMINAL PATTERN & LOCKING
TAB TO MATE WITH
96526-OL CONNECTOR



ISOMETRIC VIEW



DIMENSIONS SHOWN HERE ARE WITH COVER INSTALLED ON SWITCH

NOTES

- 1) PLASTIC PARTS - POLYPROPYLENE
TERMINALS - NICKEL-PLATED BRASS
CONTACT - PHOSPHOR BRONZE
BOOT - THERMOPLASTIC ELASTOMER
- 2) DATE CODE INDICATING YEAR, MONTH, AND DAY OF MONTH MANUFACTURED STAMPED ON HOUSING
- 3) INTEGRITY OF WELD & SWITCH FUNCTIONALITY TESTED AFTER ASSEMBLY
- 4) ELECTRICAL RATING: 3A @ 12-14VDC.
- 5) LIFE AT RATED LOAD: 10K CYCLES INDUCTIVE, 75K CYCLES RESISTIVE
- 6) MECHANICAL LIFE: 300,000 CYCLES
- 7) OPERATING TEMPERATURE: -20°F TO 150°F.
- 8) CONNECTION EFFORT: UP TO 10 LBS PER TERMINAL
- 9) OPERATING FORCE: 3.0 \pm 2.0 LBS
- 10) INTERPRET THIS DRAWING IN ACCORDANCE WITH ASME Y14.5-2009

PROPRIETARY & CONFIDENTIAL THE INFORMATION CONTAINED IN THIS DRAWING IS THE SOLE PROPERTY OF DELTA SYSTEMS. ANY REPRODUCTION IN PART OR AS A WHOLE WITHOUT THE WRITTEN PERMISSION OF DELTA SYSTEMS IS PROHIBITED.	UNLESS OTHERWISE SPECIFIED DIMENSIONS ARE IN INCHES TOLERANCES ARE: .X ± .1 .XX ± .02 .XXX ± .005 X° ± 1	DRAWN npurdy	DATE 07-Sep-2016	1734 FROST ROAD STREETSBORO, OHIO 44241 330-626-2811 WWW.DELTASYSTEMSINC.COM
		CHECKED bwetrich	DATE 09-Sep-2016	
DELTA SYSTEMS INC. DOES NOT ASSUME ANY LIABILITY ARISING OUT OF THE MISAPPLICATION OF ANY PRODUCT	COMPUTER GENERATED DRAWING - NO MANUAL CHANGES ALLOWED	APPROVED ikirbaw	DATE 19-Sep-2016	TITLE Plunger Switch, NO, Snap Mount, Boot
		MATERIAL SEE NOTE 1	PROJECTED VIEWS ARE 3RD ANGLE	SIZE C
		SWITCH IS GREEN, COVER IS BLACK DO NOT SCALE DRAWING	STATUS DS4_Design	DWG. NO. 6440-70_APP
		SCALE NTS	SHEET 1 OF 1	PROJECT NO. REVISION 1