

8

7

6

5

4

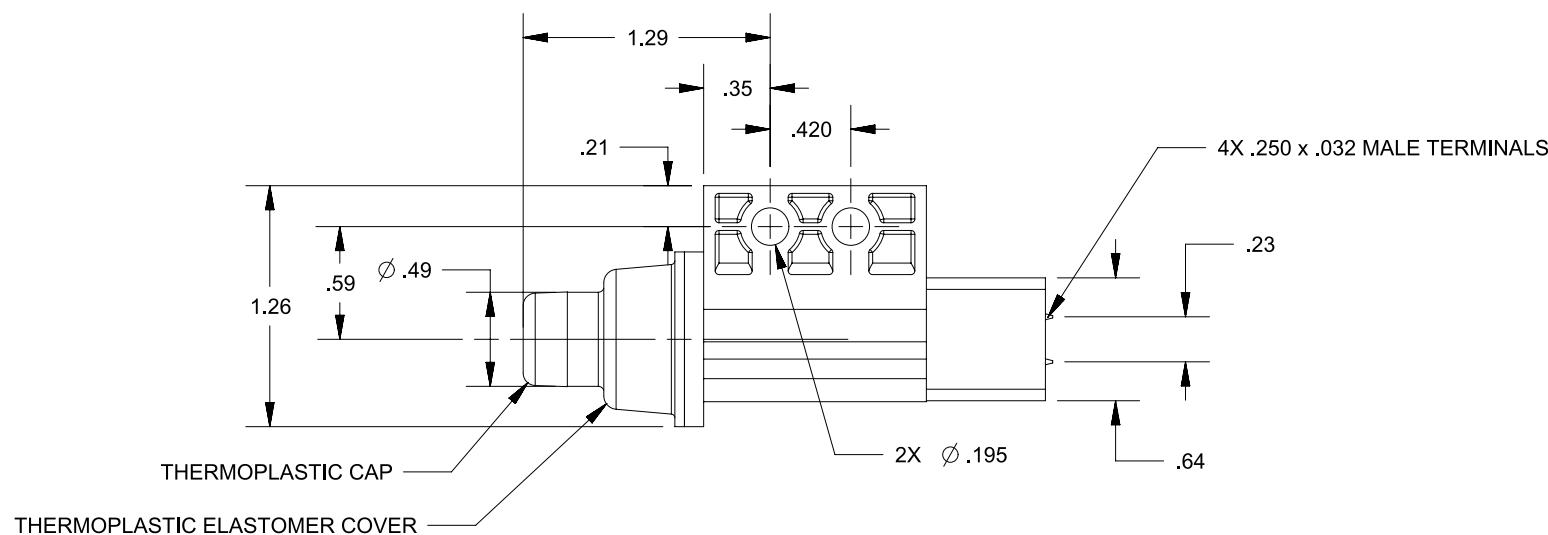
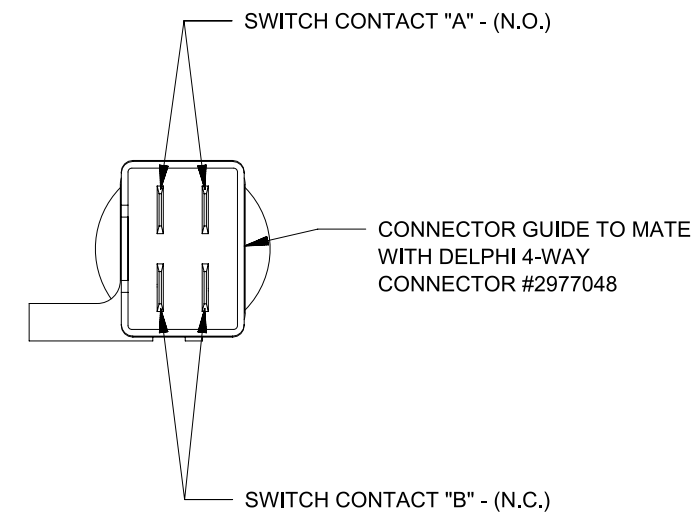
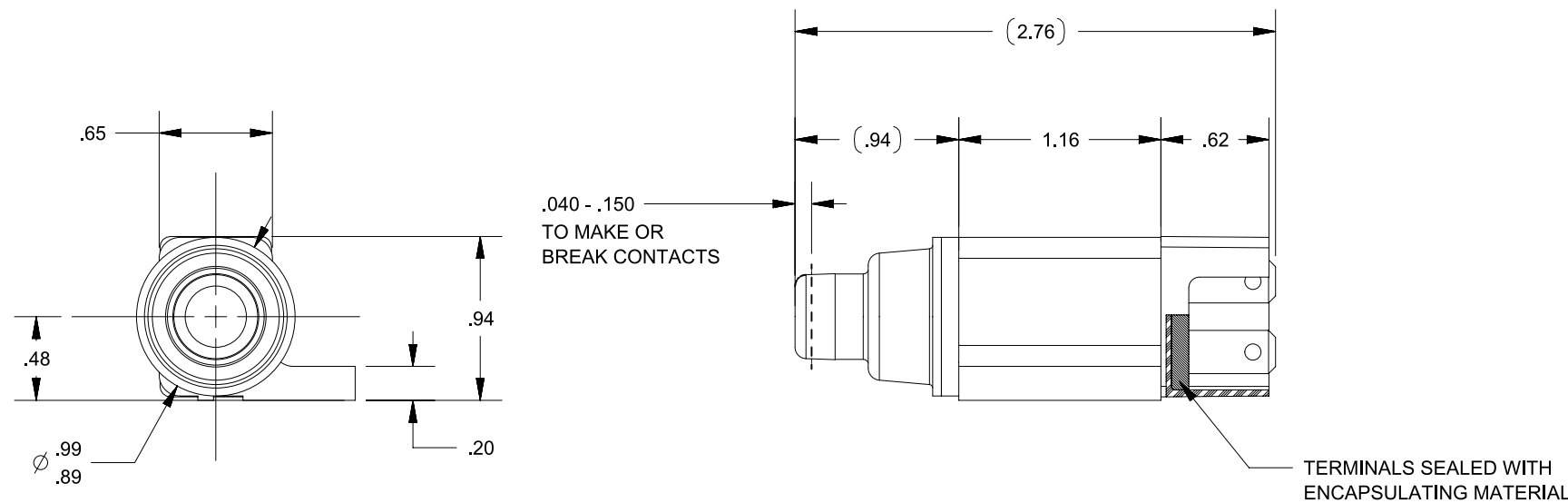
3

2

1

REVISIONS

REV.	DESCRIPTION	DATE	INIT
A	REV. NOTE 10, ADD NOTE 11, CR1671	05/01/07	MA
B	NOTE 10 WAS 6.0 ± 1.0LBS CN1464	03/12/07	MA
C	ADJUSTED PER CAPABILITY STUDY WAS 3.5 - 7.0LBS, CR1837	04/12/10	CAK
D	UPDATE MATERIAL CR1908	07/21/10	ERB
5	MIGRATED TO NX, ADDED ASME NOTE, UPDATED DIMENSIONS, ECO313	10/21/15	BMS



NOTES:

- 1) "NC" STAMPED ON ALL NORMALLY CLOSED TERMINALS
- 2) TERMINALS ARE NICKEL PLATED
- 3) PLASTIC PARTS ARE POLYPROPYLENE PROTECTIVE COVER IS THERMOPLASTIC ELASTOMER
- 4) DATE CODE INDICATING YEAR, MONTH, & DAY OF MONTH MANUFACTURED STAMPED ON HOUSING
- 5) INTEGRITY OF WELD & SWITCH FUNCTIONALITY TESTED AFER ASSEMBLY
- 6) TOTAL TRAVEL OF PLUNGER IS .47 MIN FROM REST POSITION
- 7) ELECTRICAL RATING: 3A @ 12-14VDC
- 8) CONNECTION EFFORT: UP TO 10LBS PER TERMINAL
- 9) OPERATING FORCE: 3.5-7.3LBS AT .400 TRAVEL
- 10) ASSEMBLY IS RoHS COMPLIANT
- 11) INTERPRET THIS DRAWING IN ACCORDANCE WITH ASME Y14.5-2009

PROPRIETARY & CONFIDENTIAL THE INFORMATION CONTAINED IN THIS DRAWING IS THE SOLE PROPERTY OF DELTA SYSTEMS. ANY REPRODUCTION IN PART OR AS A WHOLE WITHOUT THE WRITTEN PERMISSION OF DELTA SYSTEMS IS PROHIBITED.	UNLESS OTHERWISE SPECIFIED DIMENSIONS ARE IN INCHES TOLERANCES ARE: .X± .1 .XX± .02 .XXX± .005 X°± 1°	DRAWN jbelton	DATE 18-May-1999	1734 FROST ROAD STREETSBORO, OHIO 44241 330-626-2811 WWW.DELTASYSTEMSINC.COM			
		CHECKED malbrecht	DATE 08-May-2007				
DELTA SYSTEMS INC. DOES NOT ASSUME ANY LIABILITY ARISING OUT OF THE MISAPPLICATION OF ANY PRODUCT	COMPUTER GENERATED DRAWING - NO MANUAL CHANGES ALLOWED	APPROVED ikirbawy	DATE 04-Nov-2015	TITLE N.O./N.C. Sealed Plunger Switch			
		MATERIAL AS NOTED	PROJECTED VIEWS ARE 3RD ANGLE 				
		GRAY SWITCH BLACK CAP/COVER DO NOT SCALE DRAWING	STATUS DS4_Design	SIZE B	DWG. NO. 6420-53_APP	SCALE NTS	SHEET 1 OF 1

8

7

6

5

4

3

2

1