

8

7

6

5

4

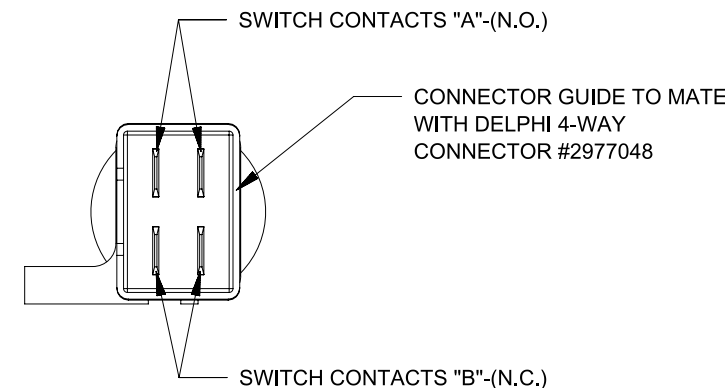
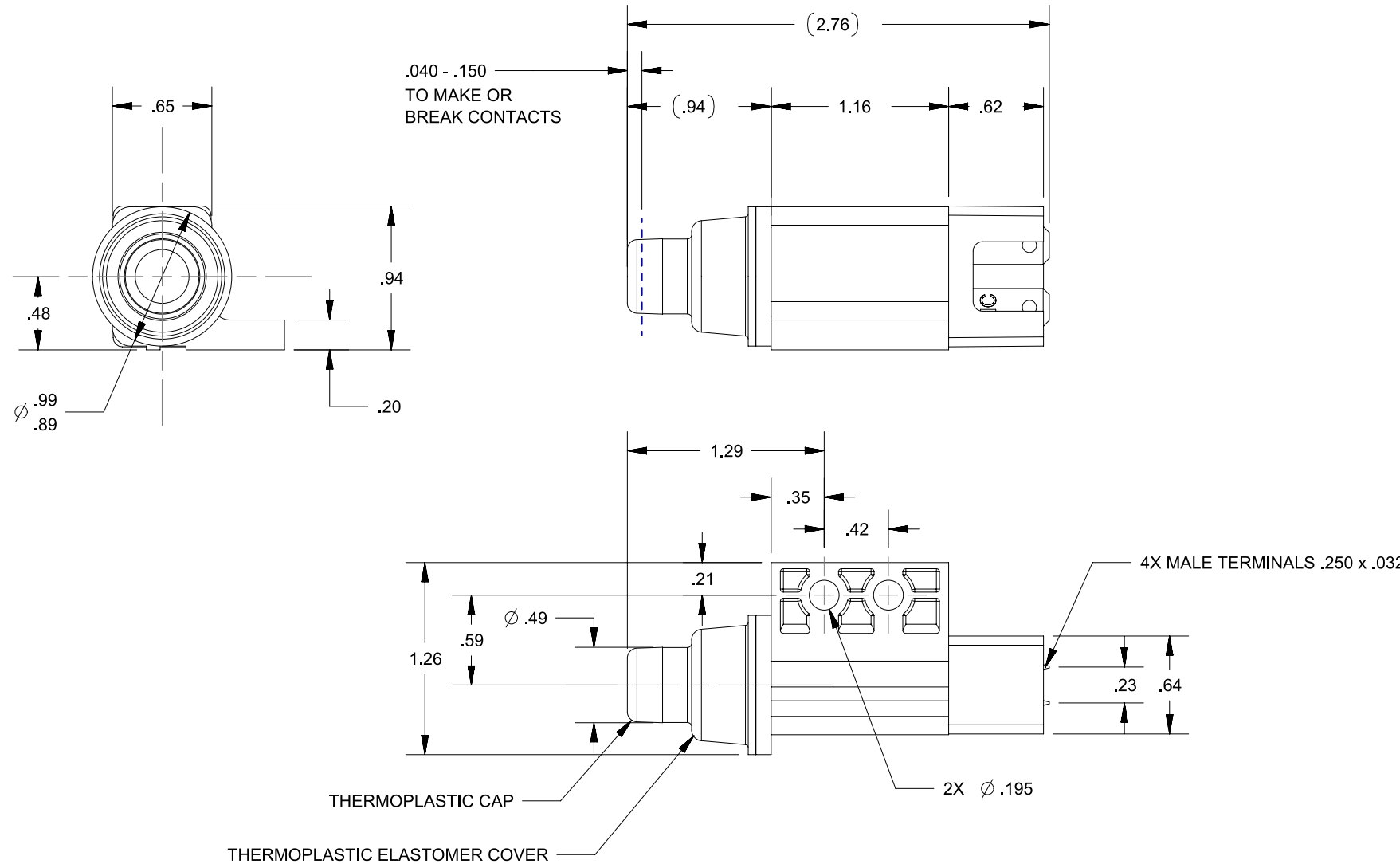
3

2

1

REVISIONS

REV.	DESCRIPTION	DATE	INIT
A	ADD PLUNGER TRAVEL NOTE, CR1225	11/19/98	JH
B	ADD THERMAL BOND NOTE, CR1268	10/28/99	JH
C	ADDED BREAK/MAKE NOTE, CR1293	11/16/99	JH
D	ADDED NOTES 10 AND 11, CR1671	05/01/07	MA
E	UPDATE MATERIAL, CR1908	07/21/10	ERB
6	MIGRATED TO NX, UPDATED DIMENSIONS, ADDED ASME NOTE, ECO313	10/12/15	BMS



NOTES

- "NC" STAMPED ON ALL NORMALLY CLOSED TERMINALS
- TERMINALS ARE NICKEL PLATED
- PLASTIC PARTS ARE POLYPROPYLENE
- DATE CODE INDICATING YEAR, MONTH, & DAY OF MONTH MANUFACTURED STAMPED ON HOUSING
- INTEGRITY OF WELD & SWITCH FUNCTIONALITY TESTED AFTER ASSEMBLY OTHER PATENTS APPLIED FOR
- TOTAL TRAVEL OF PLUNGER IS $.47$ MIN FROM REST POSITION
- THERMALLY BONDED PLUNGER ASSEMBLY IS COMPLETELY SEALED, TERMINALS ARE UNSEALED. INSTALLED SWITCH TO HAVE PLUNGER POINTING UP VERTICALLY OR ABOVE HORIZONTAL PLANE.
- "NC" POLE BREAKS CONTACT BEFORE THE "NO" POLE MAKES CONTACT
- MAX. OPERATING FORCE: 5.0 LBS. AT $.400$ TRAVEL.
- ASSEMBLY IS RoHS COMPLIANT
- INTERPRET THIS DRAWING IN ACCORDANCE WITH ASME Y14.5-2009

PROPRIETARY & CONFIDENTIAL THE INFORMATION CONTAINED IN THIS DRAWING IS THE SOLE PROPERTY OF DELTA SYSTEMS. ANY REPRODUCTION IN PART OR AS A WHOLE WITHOUT THE WRITTEN PERMISSION OF DELTA SYSTEMS IS PROHIBITED.	UNLESS OTHERWISE SPECIFIED DIMENSIONS ARE IN INCHES TOLERANCES ARE: $.X \pm .1$ $.XX \pm .02$ $.XXX \pm .005$ $X^\circ \pm 1^\circ$	DRAWN Imm	DATE 22-Sep-1998	 1734 FROST ROAD STREETSBORO, OHIO 44241 330-626-2811 WWW.DELTASYSTEMSINC.COM				
		CHECKED jharvey	DATE 22-Sep-1998					
		APPROVED ikirbawy	DATE 04-Nov-2015					
		DELTA SYSTEMS INC. DOES NOT ASSUME ANY LIABILITY ARISING OUT OF THE MISAPPLICATION OF ANY PRODUCT	COMPUTER GENERATED DRAWING - NO MANUAL CHANGES ALLOWED	MATERIAL AS NOTED	PROJECTED VIEWS ARE 3RD ANGLE 	TITLE N.O./N.C. Plunger Switch with Splash-Proof Plunger	SIZE B	DWG. NO. 6410-53_APP
		GRAY SWITCH BLACK CAP/COVER DO NOT SCALE DRAWING	STATUS DS4_Design		SCALE NTS	SHEET 1 OF 1	PROJECT NO. EX358	REVISION 6

8

7

6

5

4

3

2

1