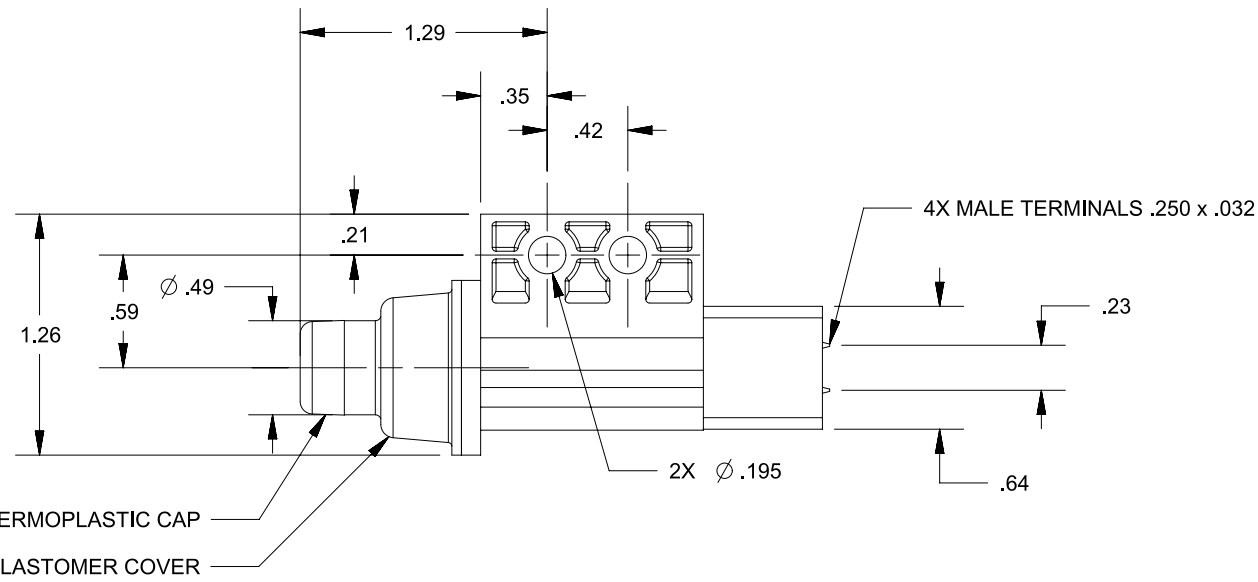
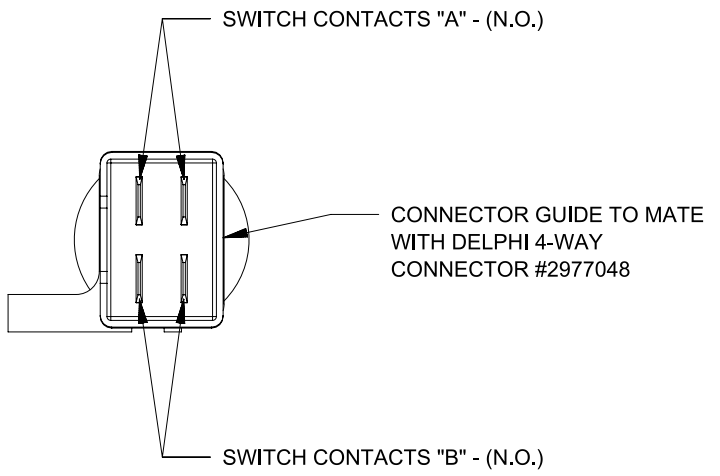
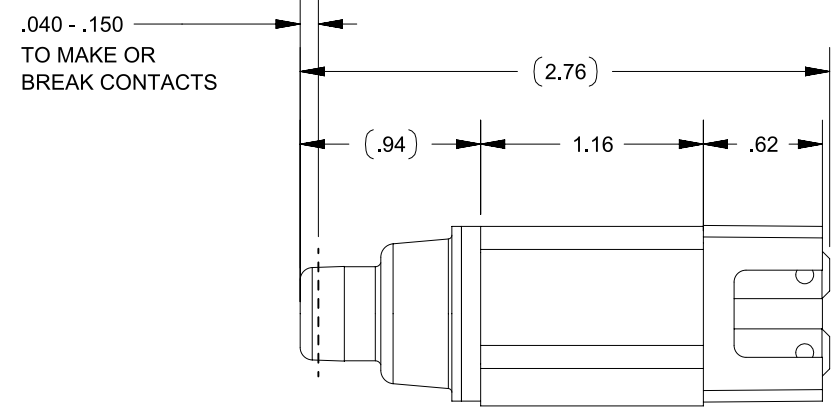
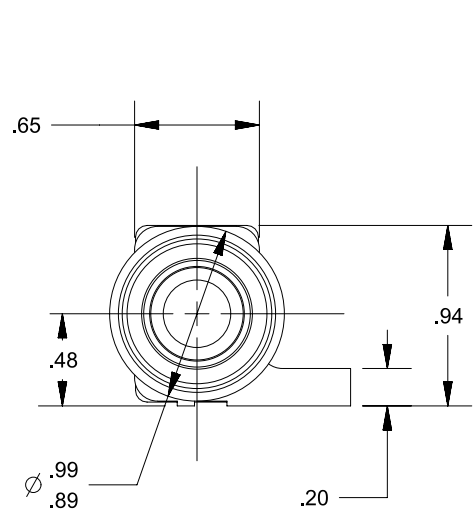


8 7 6 5 4 3 2 1

REVISIONS

REV.	DESCRIPTION	DATE	INIT
B	ADDED SPEC NOTES, CR1273	02/22/99	JH
C	ADD THERMAL BOND NOTE, CR1268	10/28/99	JH
D	NOTE 12 WAS 4.5LBS. OP. FORCE, ADDED NOTE 14, CR1671	05/01/07	MA
5	MIGRATED TO NX, ADDED NOTE 15, UPDATED DIMENSIONS, ECO313	10/21/15	BMS



THERMOPLASTIC CAP
THERMOPLASTIC ELASTOMER COVER

- NOTES**
- 1) TERMINALS ARE NICKEL PLATED
 - 2) PLASTIC PARTS ARE POLYPROPYLENE
 - 3) DATE CODE INDICATING YEAR, MONTH, & DAY OF MONTH MANUFACTURED MARKED ON HOUSING
 - 4) INTEGRITY OF WELD & SWITCH FUNCTIONALITY TESTED AFTER ASSEMBLY
 - 5) TOTAL TRAVEL OF PLUNGER IS .47 MIN FROM REST POSITION
 - 6) ELECTRICAL RATING: 5A @ 12-14VDC
 - 7) LIFE AT RATED LOAD: 10K CYCLES INDUCTIVE, 75K CYCLES RESISTIVE
 - 8) MECHANICAL LIFE: 300,000 CYCLES
 - 9) OPERATING TEMPERATURES: -20°F TO 150°F
 - 10) CONNECTION EFFORT: UP TO 10LBS. PER TERMINAL
 - 11) MAX OPERATING FORCE: 5LBS. AT .400 TRAVEL
 - 12) THERMALLY BONDED PLUNGER ASSEMBLY IS COMPLETELY SEALED. TERMINALS ARE UNSEALED. INSTALLED SWITCH TO HAVE PLUNGER POINTING UP VERTICALLY OR ABOVE HORIZONTAL PLANE
 - 13) ASSEMBLY IS RoHS COMPLIANT
 - 14) INTERPRET THIS DRAWING IN ACCORDANCE WITH ASME Y14.5-2009

PROPRIETARY & CONFIDENTIAL THE INFORMATION CONTAINED IN THIS DRAWING IS THE SOLE PROPERTY OF DELTA SYSTEMS. ANY REPRODUCTION IN PART OR AS A WHOLE WITHOUT THE WRITTEN PERMISSION OF DELTA SYSTEMS IS PROHIBITED.	UNLESS OTHERWISE SPECIFIED DIMENSIONS ARE IN INCHES TOLERANCES ARE: .X± .1 .XX± .02 .XXX± .010 X°± 1°	DRAWN Imm	DATE 22-Sep-1998	1734 FROST ROAD STREETSBORO, OHIO 44241 330-626-2811 WWW.DELTASYSTEMSINC.COM							
		CHECKED jharvey	DATE 22-Sep-1998								
APPROVED ikirbawy	DATE 05-Nov-2015	MATERIAL N/A	PROJECTED VIEWS ARE 3RD ANGLE 								
DELTA SYSTEMS INC. DOES NOT ASSUME ANY LIABILITY ARISING OUT OF THE MISAPPLICATION OF ANY PRODUCT	COMPUTER GENERATED DRAWING - NO MANUAL CHANGES ALLOWED	FINISH N/A	DO NOT SCALE DRAWING	STATUS DS4_Design	TITLE N.O./N.O. Plunger Switch with Splashproof Plunger	SIZE B	DWG. NO. 6410-02_APP	SCALE NTS	SHEET 1 OF 1	PROJECT NO. EX358	REVISION 5

8 7 6 5 4 3 2 1