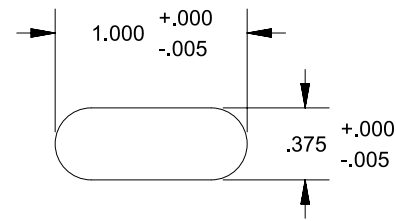


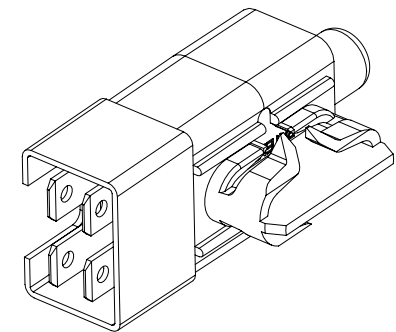
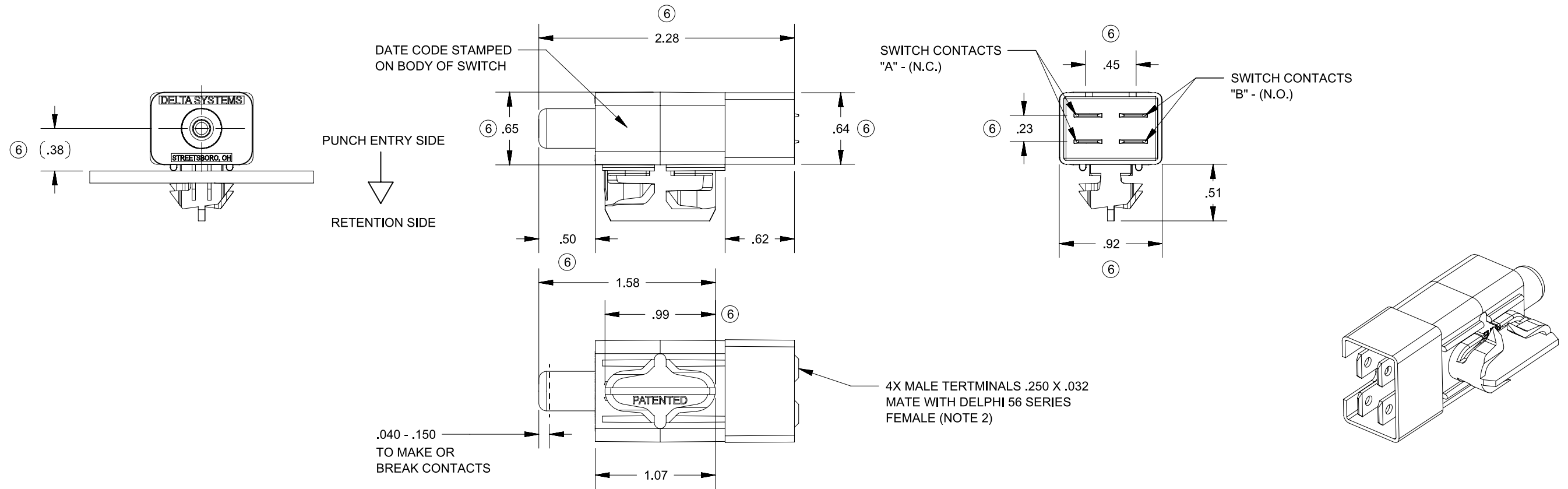
REVISIONS

REV.	DESCRIPTION	DATE	INIT
B	ADDED NAME TO HOUSING CR1017	08/19/97	TW
C	ADDED TOLERANCE TO SLOT, CR1056	110/05/97	JH
D	ADDED BREAK/MAKE NOTE, CR1293	11/16/99	JH
E	UPDATE MATERIAL CR1908	07/21/10	ERB
6	MIGRATED TO NX, UPDATED DIMENSIONS, ADDED ASME NOTE, ECO313	10/01/15	BMS



RECOMMENDED MOUNTING SLOT SWITCH WILL ACCEPT .108 & .170 PANEL THICKNESSES INCLUDING PAINT, DECALS, ETC

*SQUARE EDGE REQUIRED ON WING RETENTIONG SIDE OF SLOT



- NOTES
- 1)"NC" STAMPED ON ALL NORMALLY CLOSED TERMINALS
 - 2) TERMINALS ARE NICKEL PLATED
 - 3) PLASTIC PARTS ARE POLYPROPYLENE
 - 4) DATE CODE INDICATING YEAR, MONTH, AND DAY OF MONTH MANUFACTURED MARKED ON HOUSING
 - 5) INTEGRITY OF WELD & SWITCH FUNCTIONALITY TESTED AFTER ASSEMBLY
 - 6) "NC" POLE BREAKS CONTACT BEFORE THE "NO" POLE MAKES CONTACT
 - 7) INTERPRET THIS DRAWING IN ACCORDANCE WITH ASME Y14.5-2009

PROPRIETARY & CONFIDENTIAL THE INFORMATION CONTAINED IN THIS DRAWING IS THE SOLE PROPERTY OF DELTA SYSTEMS. ANY REPRODUCTION IN PART OR AS A WHOLE WITHOUT THE WRITTEN PERMISSION OF DELTA SYSTEMS IS PROHIBITED.	UNLESS OTHERWISE SPECIFIED DIMENSIONS ARE IN INCHES TOLERANCES ARE: .X± .1 .XX± .02 .XXX± .005 X°± 1°	DRAWN jas	DATE 15-Dec-1995	1734 FROST ROAD STREETSBORO, OHIO 44241 330-626-2811 WWW.DELTASYSTEMSINC.COM				
		CHECKED twilliams	DATE 21-Dec-1995					
		APPROVED ikirbawy	DATE 27-Oct-2015					
		MATERIAL AS NOTED	PROJECTED VIEWS ARE 3RD ANGLE 	TITLE NO/NC PLUNGER SWITCH (DOUBLE POLE)	SIZE B	DWG. NO. 6400-84_APP	SCALE NTS	SHEET 1 OF 1
DELTA SYSTEMS INC. DOES NOT ASSUME ANY LIABILITY ARISING OUT OF THE MISAPPLICATION OF ANY PRODUCT	COMPUTER GENERATED DRAWING - NO MANUAL CHANGES ALLOWED	BLACK HOUSING GRAY PLUNGER/COVER DO NOT SCALE DRAWING	STATUS DS4_Design					