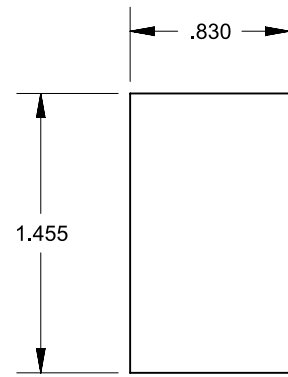


REVISIONS			
REV.	DESCRIPTION	DATE	INIT
0	INITIAL DRAWING RELEASE	12/09/2016	LJM BSW



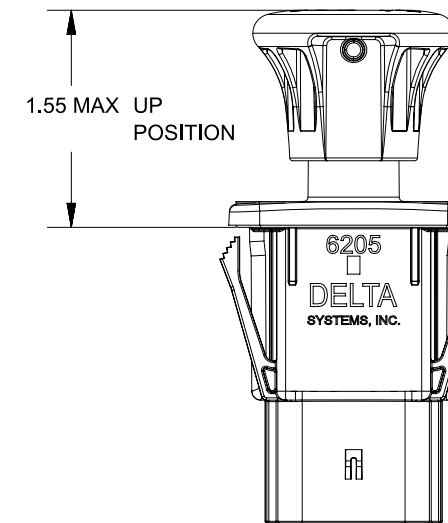
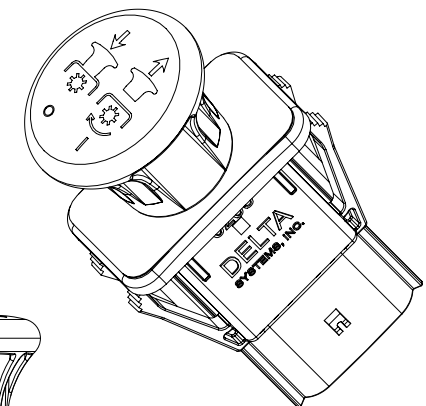
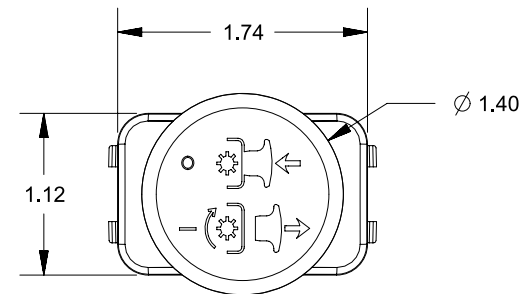
RECOMMENDED MOUNTING HOLE

.002 R. MAX
ALL EDGES
THIS SIDE

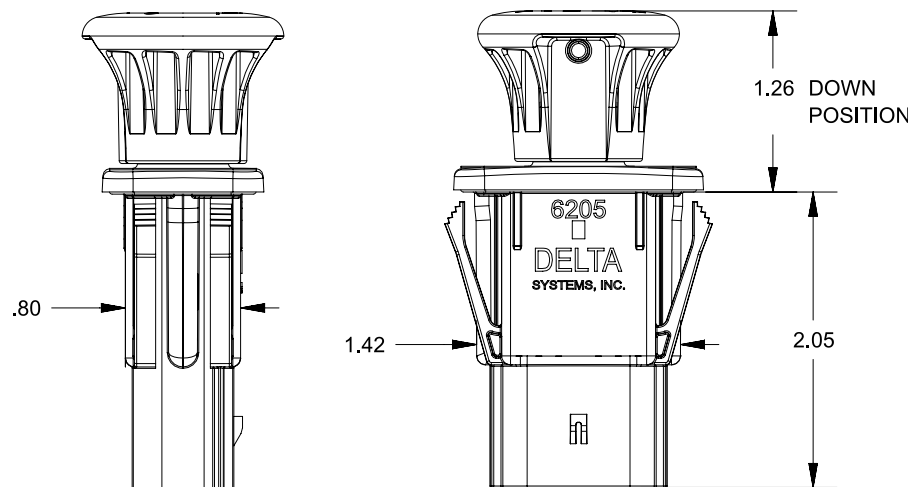
DRAFT THIS SIDE
IS RECOMMENDED

SWITCH ENTERS
FROM THIS SIDE

NO BURRS THIS SIDE

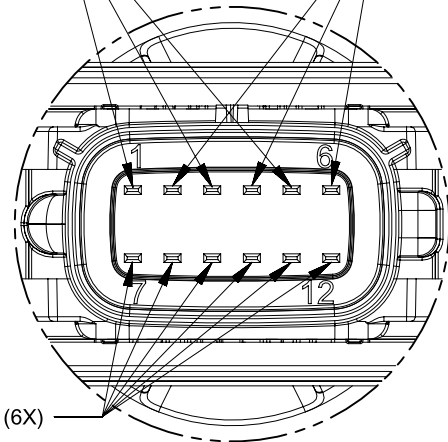


SNAP WINGS DESIGNED TO
ACCOMMODATE PANEL
THICKNESSES OF .060 TO .165
INCLUSIVE OF ANY PAINT,
DECALS, ETC.



NORMALLY OPEN (NO)
CIRCUITS 1-7, 3-9, 5-11

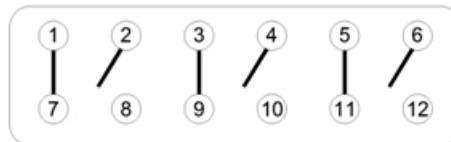
NORMALLY CLOSED (NC)
CIRCUITS 2-8, 4-10, 6-12



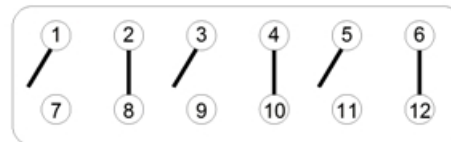
MATING CONNECTOR:
MOLEX MX-150 SEALED CONNECTOR
P/N 33472-1201
MOLEX FEMALE TERMINALS - 33012 SERIES

COMMON TERMINALS (6X)

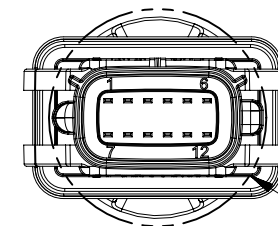
DETAIL B
SCALE 3:2



CIRCUITS SHOWN
WITH THE KNOB IN THE
UP POSITION



CIRCUITS SHOWN
WITH THE KNOB IN THE
DOWN POSITION



DETAIL B

NOTES

- 1) MATERIALS:
BODY - POLYPROPYLENE, BLACK
KNOB - POLYPROPYLENE, YELLOW
TERMINALS - BRASS
- 2) KNOB GRAPHIC DESIGN AS SHOWN, PRINTED IN BLACK
- 3) SWITCH MUST WITHSTAND 40 POUNDS OF FORCE WITHOUT PULLING OUT OF PANEL OR DAMAGING SWITCH
- 4) ON (UP) FORCE 13±3 POUNDS ; OFF (DOWN) FORCE 11±3 POUNDS
- 5) OPERATING FORCES ARE DETERMINED AFTER 10 CYCLES
- 6) DELTA SYSTEMS INC. RECOMMENDS THE USE OF 14 AWG WIRE FOR CIRCUIT LOADS OF 8-10 AMPS. USE OF LIGHTER GAGE WIRE MAY RESULT IN PREMATURE FAILURE OF THE SWITCH.
- 7) SWITCH IS ENVIRONMENTALLY SEALED TO MEET IP-67 REQUIREMENTS WITH MATING CONNECTOR INSTALLED
- 8) NO (NORMALLY OPEN) AND NC (NORMALLY CLOSED) CIRCUITS ARE RATED TO 100,000 CYCLES WITH A 10mAMP - 10AMP RESISTIVE LOAD, 12-14 VDC.
- 9) NO (NORMALLY OPEN) CIRCUITS ARE RATED TO 40,000 CYCLES WITH A 10AMP INDUCTIVE LOAD, 12-14 VDC, WITH A SUPPRESSION DIODE ACROSS THE COIL.
- 10) DATE CODE INDICATING YEAR, MONTH AND DAY OF MONTH MANUFACTURED MARKED ON HOUSING PER DELTA MFG SPEC 1640
- 11) SWITCH FUNCTIONALITY TESTED AFTER ASSEMBLY
- 12) MOUNTING PANEL IS SHOWN FOR REFERENCE ONLY AND IS NOT INCLUDED
- 13) INTERPRET THIS DRAWING IN ACCORDANCE WITH ASME Y14.5-2009

PROPRIETARY & CONFIDENTIAL
THE INFORMATION CONTAINED IN
THIS DRAWING IS THE SOLE
PROPERTY OF DELTA SYSTEMS.
ANY REPRODUCTION IN PART OR
AS A WHOLE WITHOUT THE
WRITTEN PERMISSION OF DELTA
SYSTEMS IS PROHIBITED.

DELTA SYSTEMS INC. DOES NOT
ASSUME ANY LIABILITY ARISING
OUT OF THE MISAPPLICATION OF
ANY PRODUCT

UNLESS OTHERWISE
SPECIFIED DIMENSIONS
ARE IN INCHES
TOLERANCES ARE:
.X± .1
.XX± .02
.XXX± .005
X°± 1°

COMPUTER GENERATED
DRAWING - NO MANUAL
CHANGES ALLOWED

DRAWN

CHECKED

APPROVED

MATERIAL
SEE NOTES

FINISH
SEE NOTES

DO NOT SCALE DRAWING

DATE
25-Aug-2016

DATE
15-Sep-2016

DATE
08-Dec-2016

PROJECTED VIEWS
ARE 3RD ANGLE

STATUS
DS4_Design

DELTA SYSTEMS

1734 FROST ROAD
STREETSBORO, OHIO 44241
330-626-2811
WWW.DELTASYSTEMSINC.COM

TITLE
Platform PTO 6205-131A APP PRINT

SIZE
B
DWG. NO.
6205-131A_APP

SCALE
NTS
SHEET
1 OF 1
PROJECT NO.
EX0271
REVISION
0