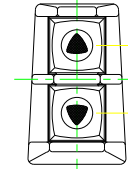
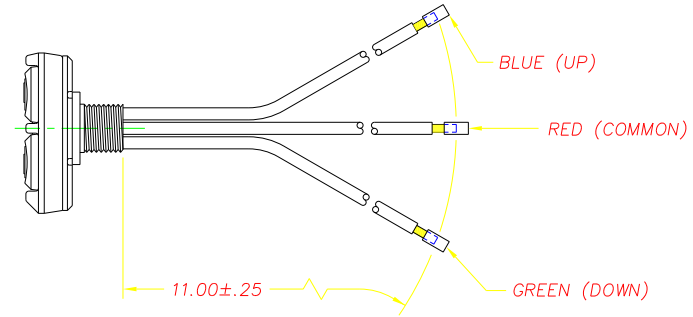


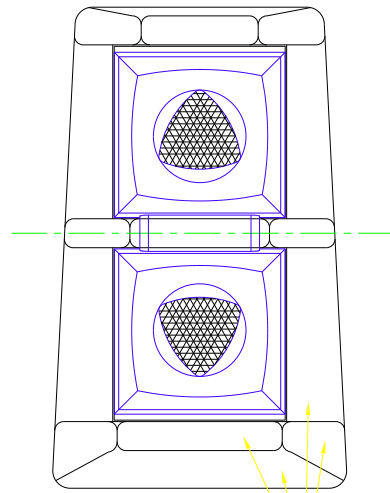
UP BUTTON



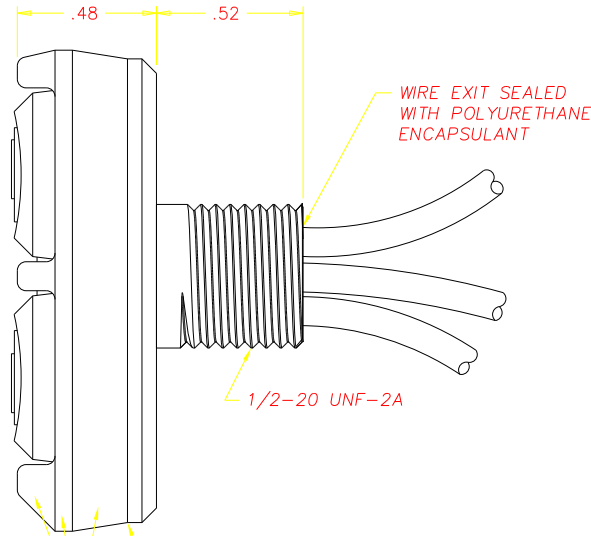
DOWN BUTTON



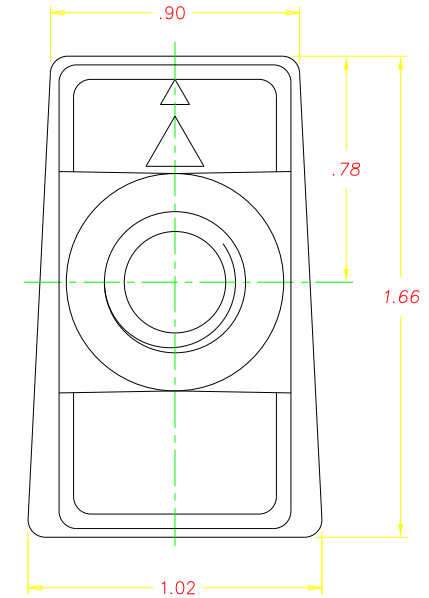
TRIM SWITCH ASSEMBLY
(FULL SCALE)



THESE PLASTIC SURFACES
TO BE TEXTURED PER MT-1055
(TYP. 4 SIDES)



COVER ULTRASONICALLY
WELDED TO BACK PLATE



NOTES:

- 1-PLASTIC PARTS ARE BLACK CELCON;
BUTTONS ARE ELASTOMER - BLACK WITH RED ARROWS.
- 2-WIRE SPECIFICATION:
MEETS SAE J1128 & J378. COLORS AS NOTED.
- 18GA- 41/34 STRAND TIN COATED COPPER WIRE.
125°C INSULATION SXL; OD .106±.003

OPERATING SPECIFICATIONS

VOLTAGE DROP @3A (12-15 VDC) SHALL NOT EXCEED 150 MV;
LEAKAGE @ 12DC SHALL NOT EXCEED 50 MICRO AMPS
NUMBER OF POLES: 1 NUMBER OF THROWS: 2
TYPICAL LOAD, RESISTIVE, = 250 MA; MAXIMUM LOAD = 300 MA
MAXIMUM CLOSED CIRCUIT RESISTANCE <0.100 OHMS (NOT INCLUDING WIRE);
MINIMUM OPEN CIRCUIT RESISTANCE >10 MEG OHMS;
TRIP FORCE 3.75 LBS ±1 LBS

ENVIRONMENTAL SPECIFICATIONS


MEETS OR EXCEEDS THE FOLLOWING: IP67; ASAE EP 455.5.8.2 & 455.5.13;
ASTM B117; DELTA QS 10.02.20

LIFE CYCLE

100,000 CYCLES @ 300 MA INDUCTIVE LOAD (LR90143 & VF4 RELAYS)

DELTA SYSTEMS, INC. DOES NOT ASSUME ANY LIABILITY ARISING OUT OF THE MISAPPLICATION OF ANY PRODUCT	
UNLESS OTHERWISE SPECIFIED DIMENSIONS ARE IN INCHES TOLERANCES ARE:	
.XX# .020	.XXX# ANGE
DO NOT SCALE DRAWING	

DRAWN	DATE
JLM	06/25/06
CHECKED	DATE
MA	06/27/07
MATERIAL	
CELCON HOUSING, SILICONE COVER	
FINISH	
AS REQ'D.	

		DELTA SYSTEMS INC. STREETSBORO, OHIO 44241	
TITLE			
TRIM SWITCH			
SIZE	DWG. NO.	PROJECT NO.	REV.
B	7100-07	EX-311	~
SCALE	SHEET		OF
3X	1		1