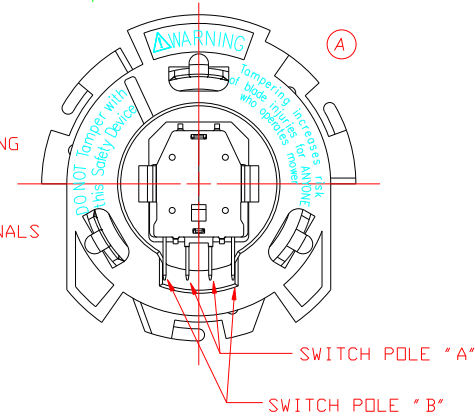
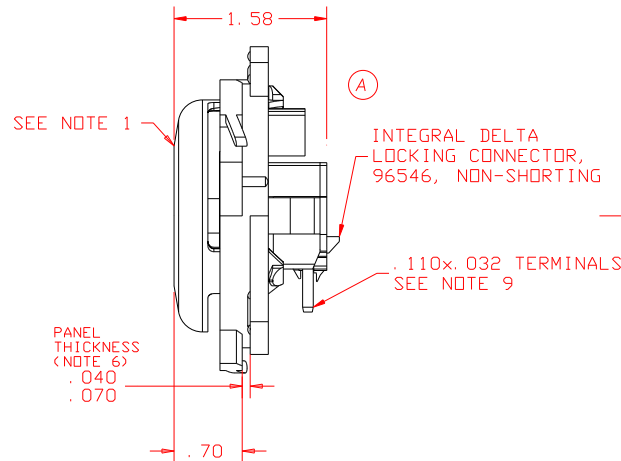
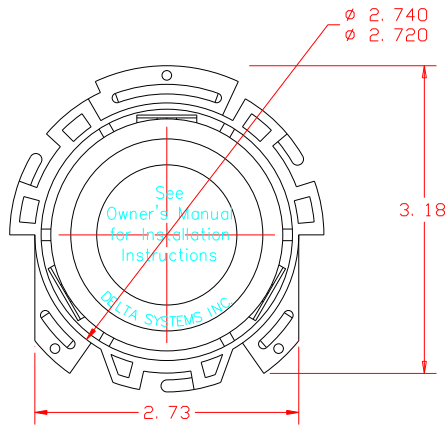
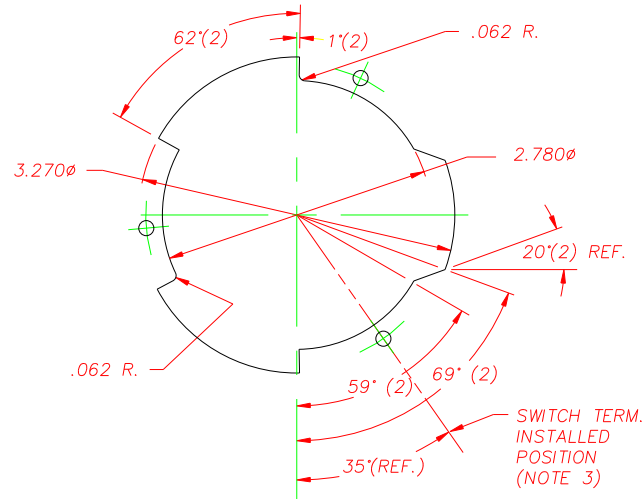
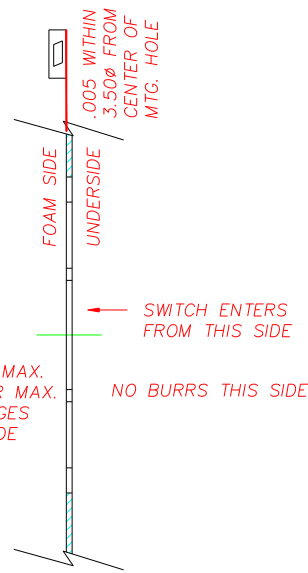
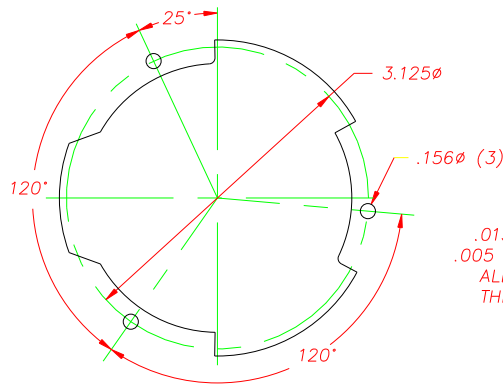



REVISIONS			
~	INITIAL RELEASE, CR1457	02/21/02	JH
A	UPDATED MOD. BACK COVER, CR1742	08/27/09	MA

RECOMMENDED MOUNTING HOLE
(FOR REFERENCE ONLY)



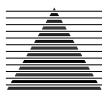
 FILE# AU3028 DELTA SYSTEMS, INC.	YCFT2 YCFT2 Industrial Truck Accessories, Battery-Powered - Component The devices covered under this category are incomplete in certain constructional features or restricted in performance capabilities and are intended for use as components of complete equipment submitted for investigation rather than for direct separate installation in the field. THE FINAL ACCEPTANCE OF THIS COMPONENT IS DEPENDENT UPON ITS INSTALLATION AND USE IN COMPLETE EQUIPMENT SUBMITTED TO UNDERWRITERS LABORATORIES INC. Battery-powered industrial truck accessories are horns, hour meters, dc motors, contactors, speed control systems, enclosed batteries, and battery indicators which, because of design features such as spacings, electrical ratings, performance tests, etc., are limited to use in Industrial Trucks.
--	--

- NOTES** **Δ** DESIGNATES CRITICAL CHARACTERISTICS
- 1) .040- .150 DEPRESSION REQUIRED FOR ELECTRICAL POLE CHANGE OF STATE.
 - 2) PLASTIC MATERIAL - CAP AND FRAME: UV STABLE, FUEL RESISTANT THERMOPLASTIC; INNER SWITCH: FLAME RETARDANT POLYPROPYLENE; TERMINALS: BRASS
 - 3) SWITCH REQUIRES 55° CLOCKWISE ROTATION TO LOCK IN PLACE (AS VIEWED FROM TERMINAL SIDE OF MOUNTING PANEL).
 - 4) FORCE TO DEPRESS CAP: .400" IS 4.6 ±1.7 LBS.
 - 5) PROPERLY INSTALLED SWITCH FRAME WILL SUPPORT A STATIC LOAD OF 350 LBS. AT 60°F.
 - 6) THICKNESS INCLUDES PAINT AND/OR ANY OTHER LAYERS APPLIED BETWEEN SWITCH AND PANEL.
 - 7) DATE CODE INDICATING YEAR, MONTH, AND DAY OF MONTH MANUFACTURED STAMPED ON HOUSING (PREFIX W/6).
 - 8) INTEGRITY OF WELD & SWITCH FUNCTIONALITY TESTED AFTER ASSEMBLY.
 - 9) MATING TERMINAL IS PACKARD P/N 12034046 (18-20 GA WIRE) P/N 12066214 (14-16 GA WIRE)
 - 10) DELTA IS RESPONSIBLE FOR COMPLIANCE TO THIS SPECIFICATION. THE FUNCTION AND ADEQUACY OF THE SAFETY "SYSTEM" IN WHICH THIS COMPONENT IS USED IS THE RESPONSIBILITY OF THE DESIGNER AND BUILDER OF THE SYSTEM (INCLUDING BUT NOT LIMITED TO THE SEAT DESIGN, SWITCH LOCATION, FOAM DENSITY AND DESIGN).
 - 11) THIS PRODUCT COVERED BY THE FOLLOWING U.S. PATENTS: 5,424,502 & 6,207,910.

TABLE 1

P/N:	POLE	SHORTING	COLOR
6544-53FR	A B NC NO	YES	GRAY CAP, BLACK FRAME, WHITE SWITCH

DELTA SYSTEMS, INC. DOES NOT ASSUME ANY LIABILITY ARISING OUT OF THE MISAPPLICATION OF ANY PRODUCT		DRAWN: MEL CHECKED: JH DATE: 02/21/02 DATE: 02/21/02
COMPUTER GENERATED DRAWING - NO MANUAL CHANGES ALLOWED	UNLESS OTHERWISE SPECIFIED DIMENSIONS ARE IN INCHES TOLERANCES ARE: .XX± .02 .XXX± .005 ANGS±1°	MATERIAL: SEE NOTE 2 FINISH: SEE TABLE 1
DO NOT SCALE DRAWING		

 DELTA SYSTEMS INC. STREETSBDOR, OHIO 44241		TITLE: UL REGISTERED, LOW PROFILE, 2 POLE, TWIST LOCK SEAT SWITCH
SIZE: C	DWG. NO.: 6544-53FR	SCALE: FULL
PROJECT NO.: EX360	REV: A	

