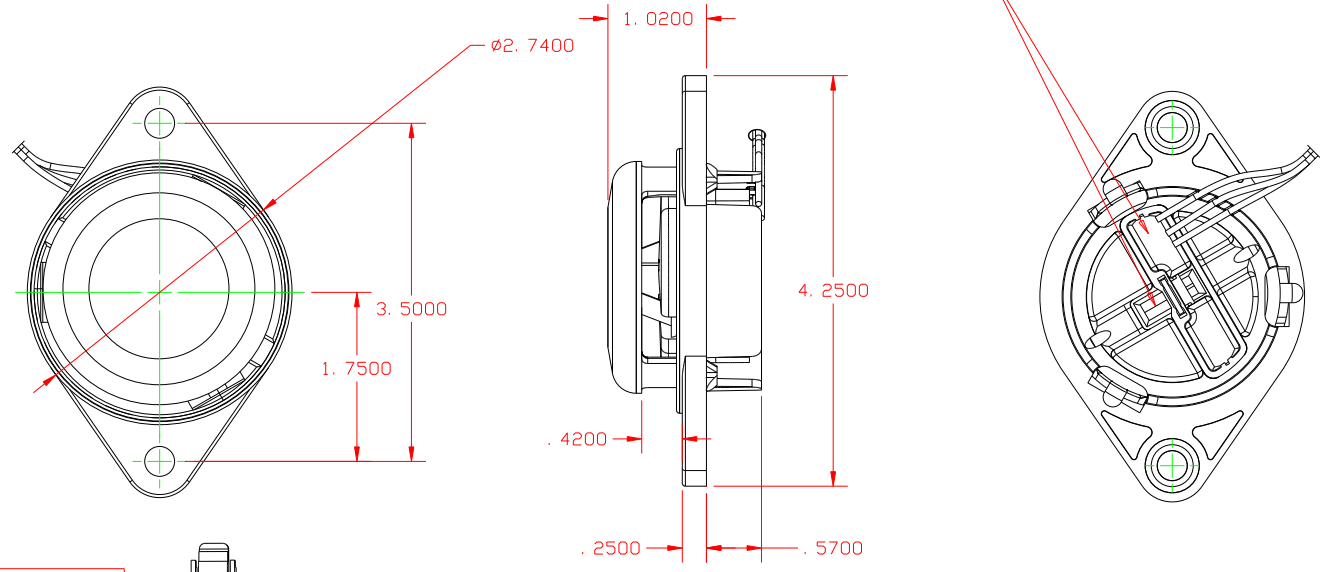
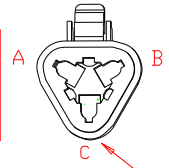


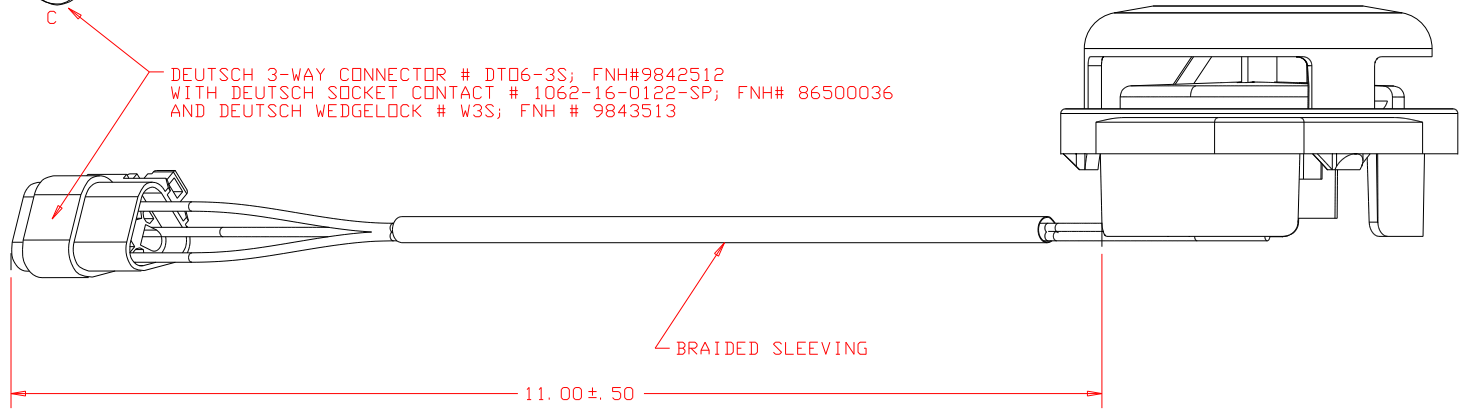
REVISIONS			
~	INITIAL RELEASE, CR 1650	02/26/07	CAK
A	ADDED PATENT NUMBER, CN 1433	07/10/07	JH



POSITION	TYPE
A	POWER RED / W WHITE
B	SIGNAL BLUE / W WHITE
C	GROUND GREEN / W WHITE



DEUTSCH 3-WAY CONNECTOR # DT06-3S; FNH#9842512
 WITH DEUTSCH SOCKET CONTACT # 1062-16-0122-SP; FNH# 86500036
 AND DEUTSCH WEDGELock # W3S; FNH # 9843513



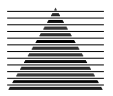
FULL VIEW OF ASSEMBLY
 (SCALE = 1.5X)

NOTES:

- 1-INPUT VOLTAGE RANGE 9 TO 30VDC.
- 2-SIGNAL WIRE SOURCES +5VDC WHEN SWITCH IS ACTUATED AND GROUND WHEN AT REST. LOAD RESISTANCE SHOULD BE 10Kohm OR GREATER.
- 3-.05-.20 MOTION TO CAUSE CHANGE OF ELECTRICAL STATE.
- 4-PLASTIC PARTS- DELTON . UV STABLE, FUEL RESISTANT THERMOPLASTIC.
- 5-ELECTRICAL CONNECTION- WIRE WITH DEUTSCH 3-WAY CONNECTOR
- 6-DATE CODE INDICATING YEAR, MONTH AND DAY OF MONTH MANUFACTURED STAMPED ON MOUNTING FRAME.
- 7-DELTA IS RESPONSIBLE FOR COMPLIANCE TO THIS SPECIFICATION. THE FUNCTION AND ADEQUACY OF THE SAFETY "SYSTEM" IN WHICH THIS COMPONENT IS USED IS THE RESPONSIBILITY OF THOSE THAT DESIGN AND BUILD THE SYSTEM (INCLUDING BUT NOT LIMITED TO THE SEAT DESIGN, SWITCH LOCATION, FOAM DENSITY AND DESIGN).
- 8-US PATENT NO. 6,648,092

DELTA SYSTEMS, INC. DOES NOT ASSUME ANY LIABILITY ARISING OUT OF THE MISAPPLICATION OF ANY PRODUCT

DRAWN	DATE
DLD	05/23/06
CHECKED	DATE
CAK	07/06/06
MATERIAL	
AS NOTED	
FINISH	

 DELTA SYSTEMS INC. STREETSBORO, OHIO 44241		TITLE	
		HALL EFFECT SEAT SWITCH	
SIZE	DWG. NO.	PROJECT NO.	
C	6540-003	EX362	REV
SCALE			A

COMPUTER GENERATED DRAWING - NO MANUAL CHANGES ALLOWED

UNLESS OTHERWISE SPECIFIED DIMENSIONS ARE IN INCHES TOLERANCES ARE:
 .XX# .02 .XXX# .005 ANG# 1°

DO NOT SCALE DRAWING

