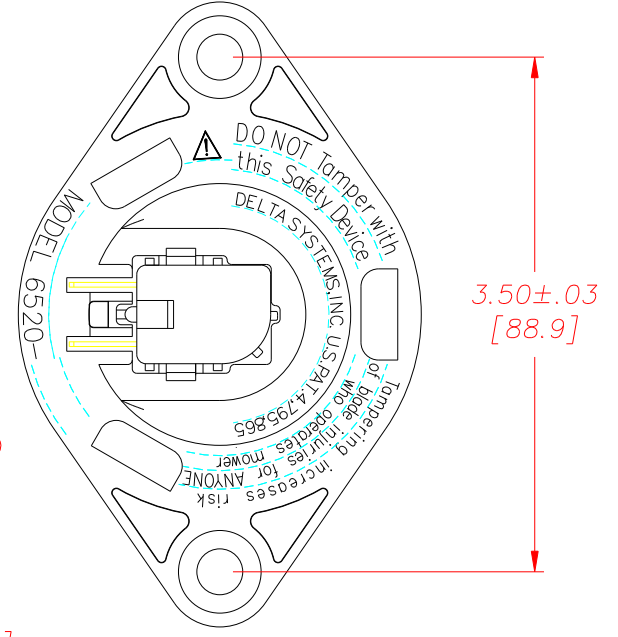
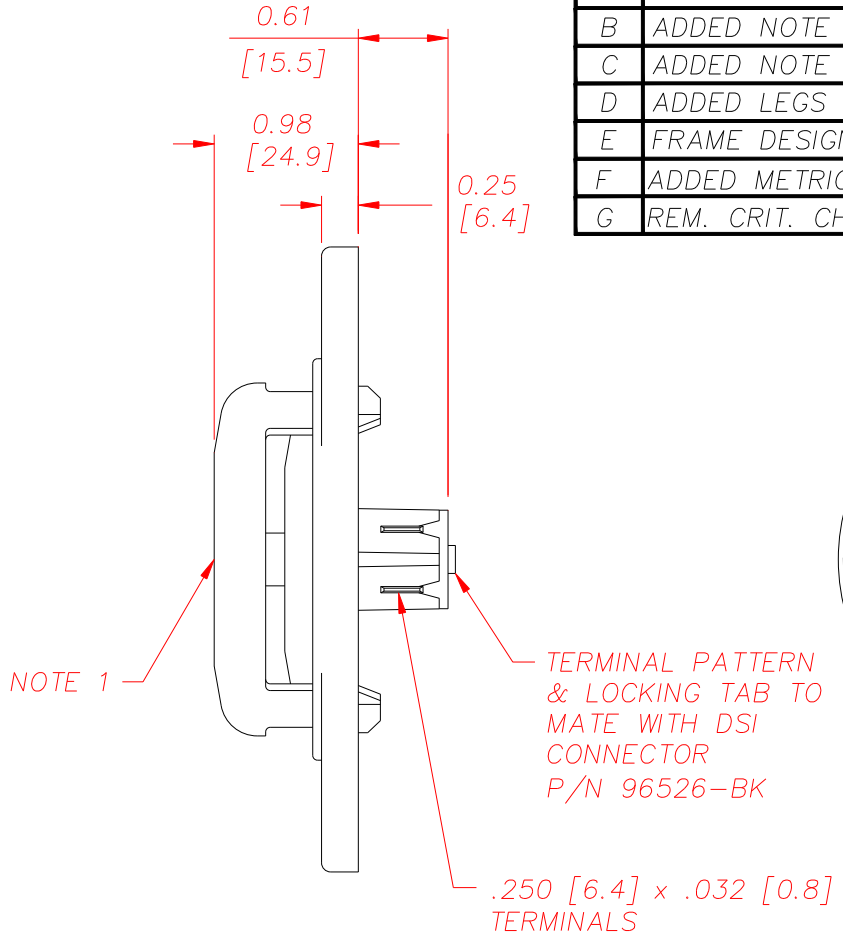
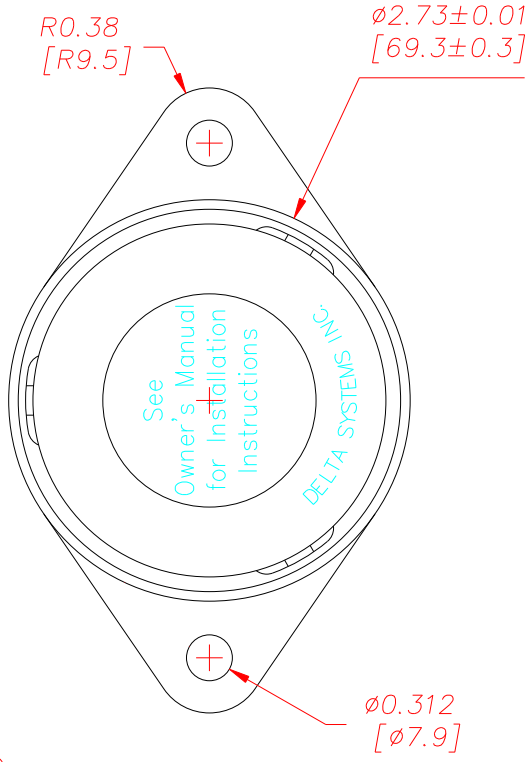
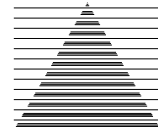


REVISIONS			
A	REV. FINISH & ADDED NOTE 5–CR440	06/02/93	TW
B	ADDED NOTE 6, CR 591	07/06/94	TW
C	ADDED NOTE 7	02/05/96	TW
D	ADDED LEGS TO BACK VIEW, CR 795	03/19/96	TW
E	FRAME DESIGN CHANGE, CR1251	08/09/00	JH
F	ADDED METRIC DIMENSIONS, CN 0963	02/09/05	JH
G	REM. CRIT. CHARACTERISTICS, CN1417	04/14/08	MA



**NOTES:**

- 1–.040 [1.0] –.150 [3.8] MOTION TO CLOSE CONTACTS.
- 2–PLASTIC PARTS – DELTON™, UV STABLE, FUEL RESISTANT THERMOPLASTIC. TERMINALS – NICKEL PLATED BRASS.
- 3–DATE CODE INDICATING YEAR, MONTH, AND DAY OF MONTH MANUFACTURED STAMPED ON HOUSING.
- 4–INTEGRITY OF WELD & SWITCH FUNCTIONALITY TESTED AFTER ASSEMBLY.
- 5–SWITCH IS BLACK. ACTUATOR CUP & FRAME ARE GRAY.
- 6–DELTA IS RESPONSIBLE FOR COMPLIANCE TO THIS SPECIFICATION. THE FUNCTION AND ADEQUACY OF THE SAFETY "SYSTEM" IN WHICH THIS COMPONENT IS USED IS THE RESPONSIBILITY OF THOSE THAT DESIGN AND BUILD THE SYSTEM (INCLUDING BUT NOT LIMITED TO THE SEAT DESIGN, SWITCH LOCATION, FOAM DENSITY AND DESIGN).
- 7–THIS PRODUCT COVERED BY ONE OR MORE OF THE FOLLOWING U.S. PATENTS; 4,812,604; 4,795,865. OTHER PATENTS APPLIED FOR.

		<b>DELTA</b> SYSTEMS INC. STREETSBORO, OHIO 44241	
DRAWN <b>AJC</b>		DATE <b>06/09/92</b>	
CHECKED <b>TW</b>		DATE <b>06/10/92</b>	
MATERIAL <b>NOTE 2</b>			
FINISH <b>NOTE 5</b>			
TITLE <b>MODEL 6520 –ROUND SEAT SWITCH– NORMALLY OPEN</b>			
SIZE <b>B</b>	DWG. NO. <b>6520</b>	PROJECT NO. <b>E–323</b>	REV <b>G</b>
SCALE <b>FULL</b>		SHEET <b>1</b> OF <b>1</b>	
DO NOT SCALE DRAWING			

DELTA SYSTEMS, INC. DOES NOT ASSUME ANY LIABILITY ARISING OUT OF THE MISAPPLICATION OF ANY PRODUCT  
 UNLESS OTHERWISE SPECIFIED DIMENSIONS ARE IN INCHES TOLERANCES ARE:  
 .XX± .020 [0.5] .XXX± .005 [0.1] ANG±

