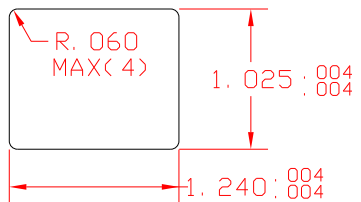
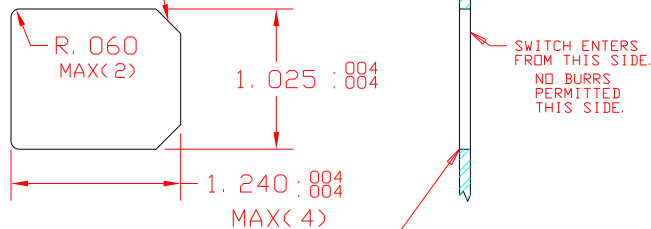


STANDARD MOUNTING HOLE



FOR 0.060, 0.085, 0.105 MAX PANELS
(THICKNESS INCLUDES PAINT AND ANY OTHER COVERINGS APPLIED TO PANEL.)

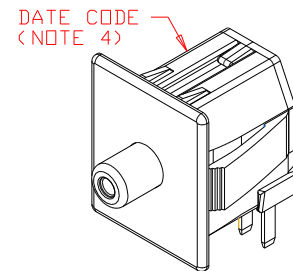
.180 X 45 CHAMFER(2) ANTI-ROTATION MOUNTING HOLE



FOR 0.060, 0.085, 0.105 MAX PANELS
(THICKNESS INCLUDES PAINT AND ANY OTHER COVERINGS APPLIED TO PANEL.)

REVISIONS

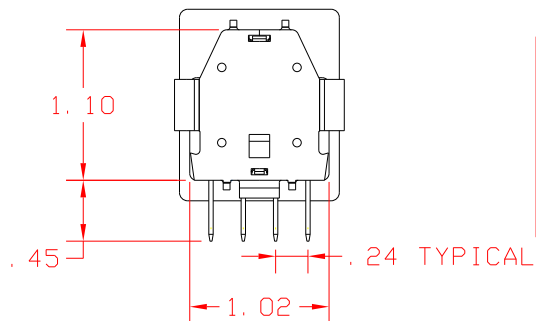
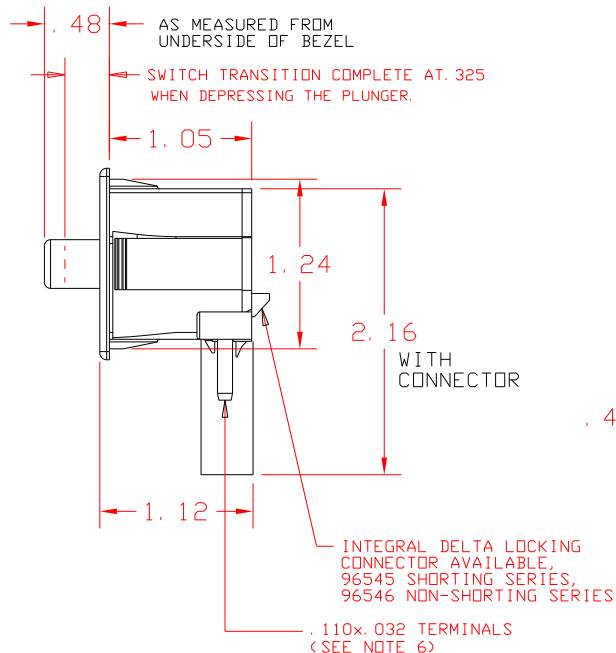
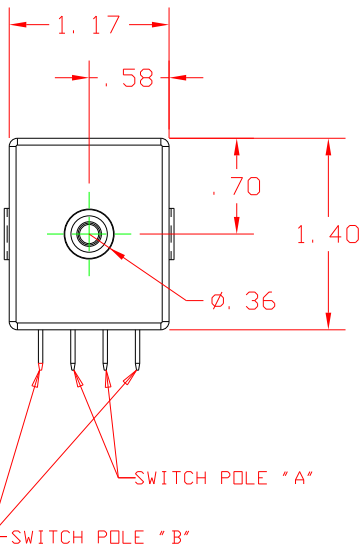
~	INITIAL RELEASE, CR1457	02/21/02	JH
A	CLARIFY LEADER, CN0580	10/29/02	JG



DATE CODE (NOTE 4)

FILE# AU3028 YCFT2
DELTA SYSTEMS, INC.

YCFT2.AU3028 Industrial Truck Accessories, Battery-Powered - Component
The devices covered under this category are incomplete in certain constructional features or restricted in performance capabilities and are intended for use as components of complete equipment submitted for investigation rather than for direct separate installation in the field. THE FINAL ACCEPTANCE OF THE COMPONENT IS DEPENDENT UPON ITS INSTALLATION AND USE IN COMPLETE EQUIPMENT SUBMITTED TO UNDERWRITERS LABORATORIES INC.
Battery-powered industrial truck accessories are horns, hour meters, dc motors, contactors, speed control systems, enclosed batteries, and battery indicators which, because of design features such as spacings, electrical ratings, performance tests, etc., are limited to use in Industrial Trucks.



P/N	POLE A B	COLOR
6444-53	NC/NO	WHITE SWITCH BODY

NOTES: Δ DESIGNATES CRITICAL CHARACTERISTICS

- TERMINALS ARE BRASS.
- HOUSING & PLUNGER ARE FLAME RETARDANT THERMOPLASTIC.
- INTEGRITY OF WELD & SWITCH FUNCTIONALITY TESTED AFTER ASSEMBLY.
- DATE CODE INDICATES YEAR, MONTH & DAY OF MONTH MANUFACTURED.
- MATING DELTA CONNECTOR IS P/N #96545 (SHORTING POLE "A"); #96546 (NON SHORTING SERIES)
- Δ MATING TERMINAL IS P/N PACKARD #12034046 (18-20 GA WIRE) #12066214 (14-16 GA WIRE)
- RATED 3A @ 12-14 VDC (CYCLES= 10K INDUCTIVE; 100K RESISTIVE)
- FORCE TO DEPRESS PLUNGER .40" = 4.6±1.7 LB.
- THIS PRODUCT IS COVERED BY U. S. PATENT # 6,207,910.

DELTA SYSTEMS, INC. DOES NOT ASSUME ANY LIABILITY ARISING OUT OF THE MISAPPLICATION OF ANY PRODUCT

COMPUTER GENERATED DRAWING - NO MANUAL CHANGES ALLOWED

UNLESS OTHERWISE SPECIFIED DIMENSIONS ARE IN INCHES TOLERANCES ARE:

xx± .02 .xxx± .005 ANG±1°

DO NOT SCALE DRAWING

DRAWN	DATE
MEL	02/21/02
CHECKED	DATE
JH	02/21/02
MATERIAL	
AS NOTED	
FINISH	
AS NOTED	

DELTA SYSTEMS INC.
STREETSBOARD, OHIO 44241

TITLE **UL APPROVED, LOW PROFILE PLUNGER SWITCH**

SIZE **B** DWG. NO. **6444-53FR**

SCALE **1X** PROJECT NO. **EX360** REV **A**