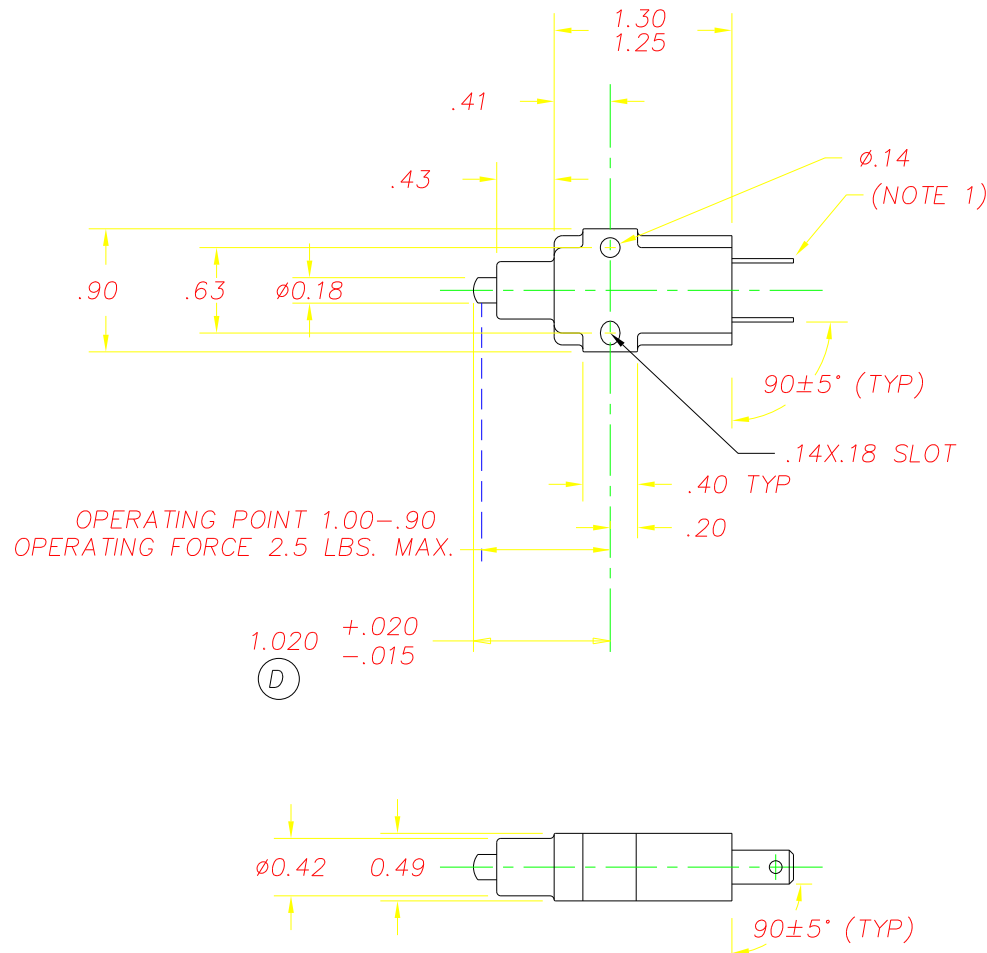


REVISIONS

A	PRE-TRAVEL NOW OPER.PT, CR 662	02/02/95	TW
B	ADDED 90±5° REFERENCE, CR1140A	11/18/98	JH
C	STANDARDIZE PRINTS, CN 0608	02/10/03	JH
D	STANDARDIZE OPER. POINT; CN1065	12/22/05	JM



NOTES:

- 1-SWITCH IS SUPPLIED WITH NICKEL-PLATED .032 x .250 MALE BLADE TERMINALS.
- 2-INSTALL MATING TERMINALS INDIVIDUALLY. RECOMMENDED MATING TERMINAL IS PACKARD 56 SERIES WITH LOCKING NIB (OR EQUIVALENT)
- 3-INITIAL VOLTAGE DROP MEASURED ACROSS TERMINALS IS 100 mv. MAX. AT 3 AMPS WITH 12 - 15 VDC APPLIED.
- 4-SWITCH CIRCUIT WHEN OPEN WILL WITHSTAND 500 VOLTS DC WITH A MAX. OF 5ma LEAKAGE (100K OHMS MIN.).
- 5-THE SWITCH AND LEADS WILL WITHSTAND 10" Hg VACUUM WHEN SUBMERGED IN WATER PER DSI 10.02.37
- 6-SWITCH HOUSING AND PLUNGER ARE CONSTRUCTED OF UV STABILIZED ACETAL COPOLYMER WITH 12% GLASS. COLOR: BLACK.
- 7- ELECTRICAL RATING: 3A@12-14VDC
LIFE = 100,000 CYCLES RESISTIVE

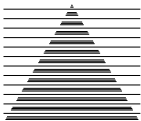
DELTA SYSTEMS, INC. DOES NOT ASSUME ANY LIABILITY ARISING OUT OF THE MISAPPLICATION OF ANY PRODUCT

COMPUTER GENERATED DRAWING - NO MANUAL CHANGES ALLOWED

UNLESS OTHERWISE SPECIFIED DIMENSIONS ARE IN INCHES TOLERANCES ARE:
.xx± .02 .xxx± ANG±

DO NOT SCALE DRAWING

DRAWN	DATE
RC	05/21/87
CHECKED	DATE
BH	05/21/87
MATERIAL	
AS NOTED	
FINISH	
AS NOTED	

		DELTA SYSTEMS INC. STREETSBORO, OHIO 44241	
SIZE		DWG. NO.	
B		7080	
SCALE		PROJECT NO.	REV
FULL		EX312	D