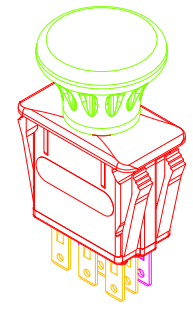
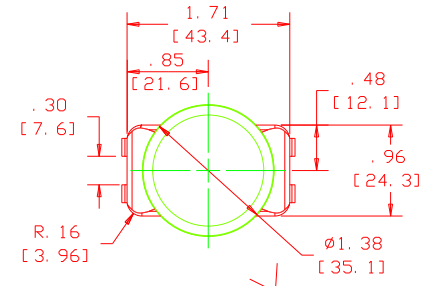
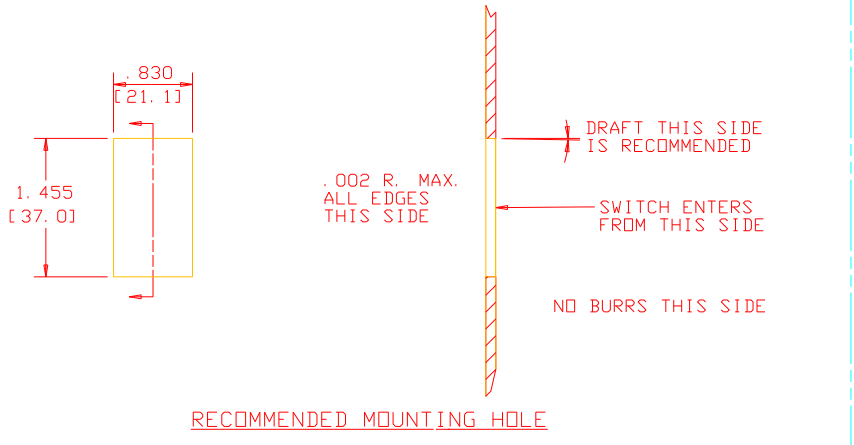
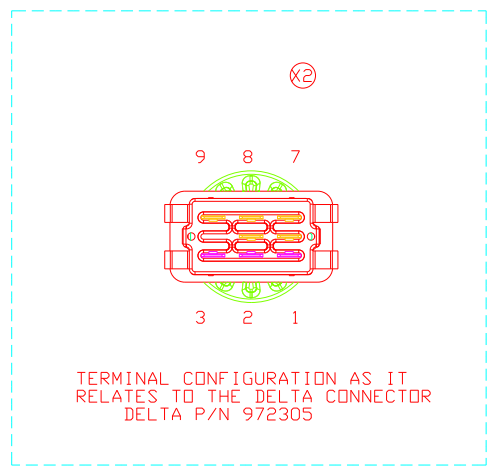


REVISIONS

| | | | |
|----|----------------------------|----------|----|
| X2 | ADD CONNECTOR PIN OUT VIEW | 02/23/07 | JM |
|----|----------------------------|----------|----|

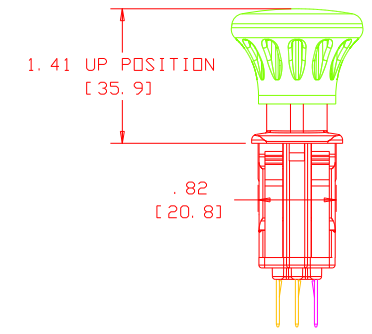
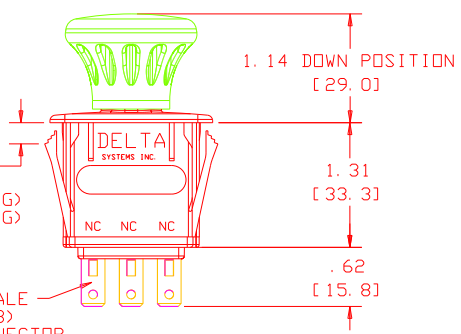


PRELIMINARY



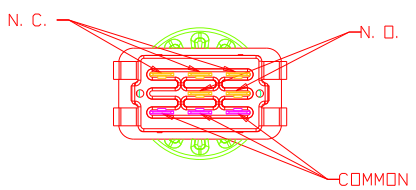
SNAP WINGS TO ACCOMMODATE SPECIFIC PANEL THICKNESSES OF:
 .055 [1.4] MAX (WITH #972301 RETAINER RING)
 .085 [2.2] MAX (WITH #972301 RETAINER RING)
 .105 [2.7] MAX
 .135 [3.4] MAX
 .165 [4.2] MAX
 (NOTE 8)

.03 X .25 MALE TERMINALS (8)
 USE DSI CONNECTOR P/N 972305



NOTES:

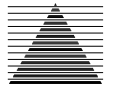
- 1-SWITCH MUST RESIST 40# FORCE WITHOUT PULLING OUT OR DAMAGING SWITCH.
- 2-DN (UP) FORCE IS 11.00 +/- .350 LBS
- 3-DFF (DOWN) FORCE IS 8.50 +/- 2.00 LBS
- 4-OPERATING FORCES MEASURED AFTER 10 (TEN) CYCLES.
- 5-BEZEL SURFACE TEXTURED TO MOLD TECH TEXTURE STANDARD MT1055-5
- 6-DATE CODE INDICATING YEAR, MONTH, AND DAY OF MONTH MANUFACTURED STAMPED ON HOUSING.
- 7-SWITCH FUNCTIONALITY TESTED AFTER ASSEMBLY.
- 8-THICKNESS INCLUDES PAINT AND OR ANY OTHER LAYERS APPLIED BETWEEN SWITCH AND PANEL
- 9-SWITCH BODY IS BLACK; KNOB IS CUSTOMER SPECIFIC.
- 10-THIS PRODUCT IS COVERED BY THE FOLLOWING US PATENT: (PENDING)
- 11-DIMENSIONS IN BRACKETS () ARE IN MILLIMETERS.
- 12-*DELTA SYSTEMS INC. RECOMMENDS THE USE OF 14 AWG WIRE FOR CIRCUIT LOADS OF 8-10 AMPS. USE OF LIGHTER GAGE WIRE MAY RESULT IN PREMATURE FAILURE OF THE SWITCH.



AVAILABLE NC SWITCH CONFIGURATIONS

6202-1XXX

- GRAPHIC STYLE PER DELTA P/N 74409-00
- GRAPHIC COLOR-O=NO GRAPHIC
 - 1=BLACK
 - 2=WHITE
 - 3=SILVER
- KNOB COLOR
 - 1=BLACK
 - 2=RED
 - 3=YELLOW

| | | | |
|-------------------------|----------|--|--|
| DRAWN JLM DATE 12/28/16 | |  DELTA SYSTEMS INC. STREETSBOARD, OHIO 44241 | |
| CHECKED | DATE | TITLE | HIGH CURRENT* PTO SWITCH NC / NC-NO / NC-NO |
| MATERIAL | | SIZE | C |
| FINISH | AS NOTED | DWG. NO. | 6202-1XXX |
| SCALE | FULL | PROJECT NO. | EX315 |
| | | REV | X2 |

COMPUTER GENERATED DRAWING - NO MANUAL CHANGES ALLOWED
 UNLESS OTHERWISE SPECIFIED DIMENSIONS ARE IN INCHES TOLERANCES ARE:
 XX# 02 .XXX# 005 ANGR 1°
 DO NOT SCALE DRAWING